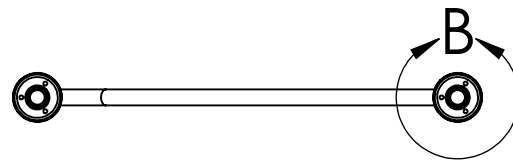
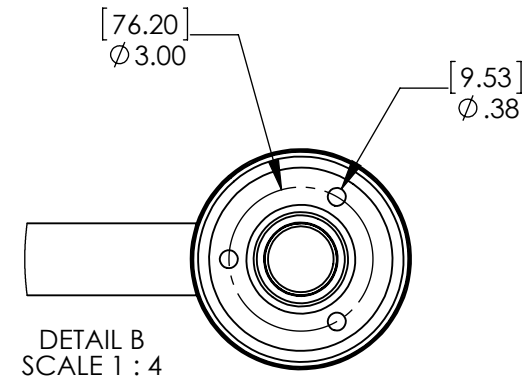
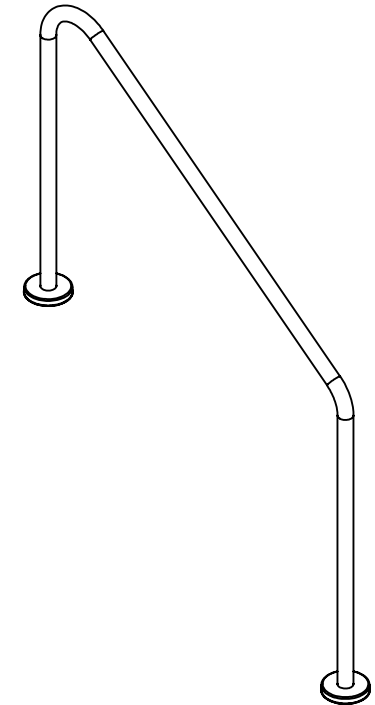
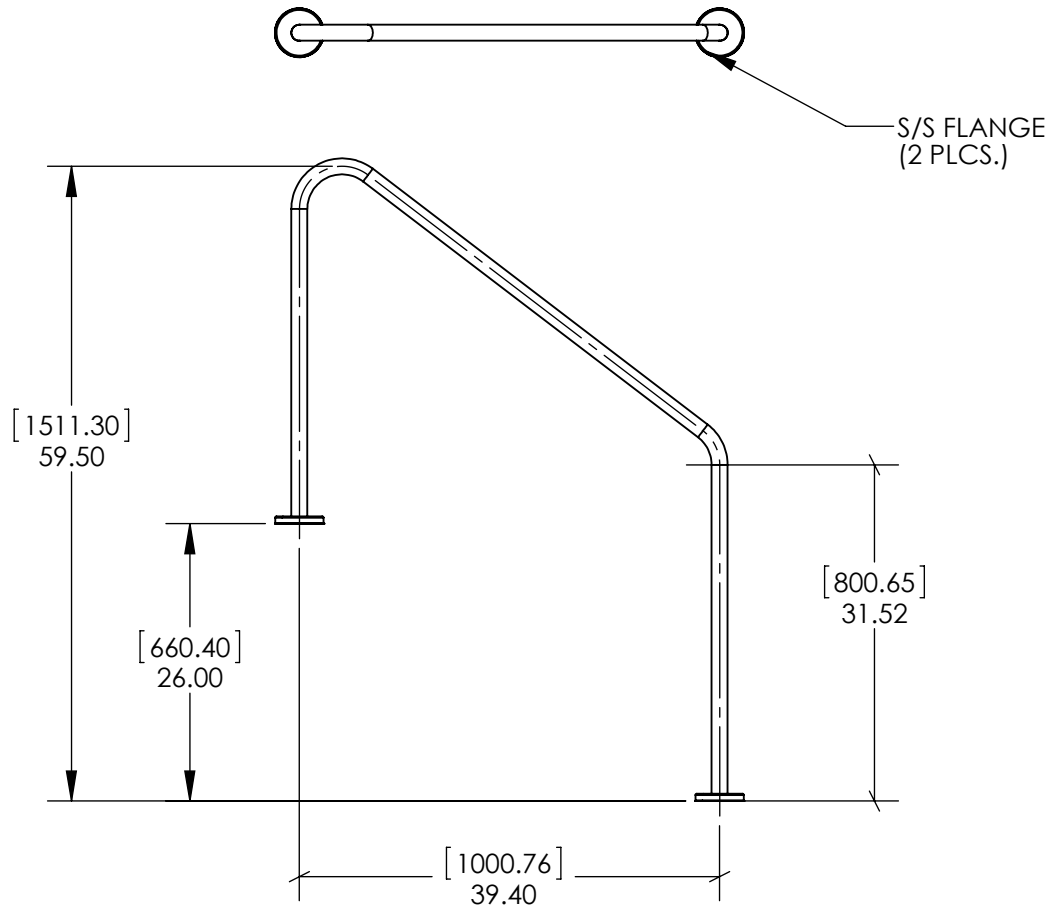


REVISIONS			
REV.	DESCRIPTION	DATE	ECN



TUBING LENGTH: 113.10"

UNLESS OTHERWISE SPECIFIED
DIMENSIONS ARE IN INCHES,
TOLERANCES ARE:
FRACTIONAL: ±1/16
ANGULAR: ±1°
TWO PLACE DECIMAL: ±.06
THREE PLACE DECIMAL: .. ±.031

DESCRIPTION:
STAIR RAIL -1000MM FLANGED

MATERIAL:
1.50 x .065 (316L) S/S TUBING

PART NO.: SR-SF-1000 REV. A

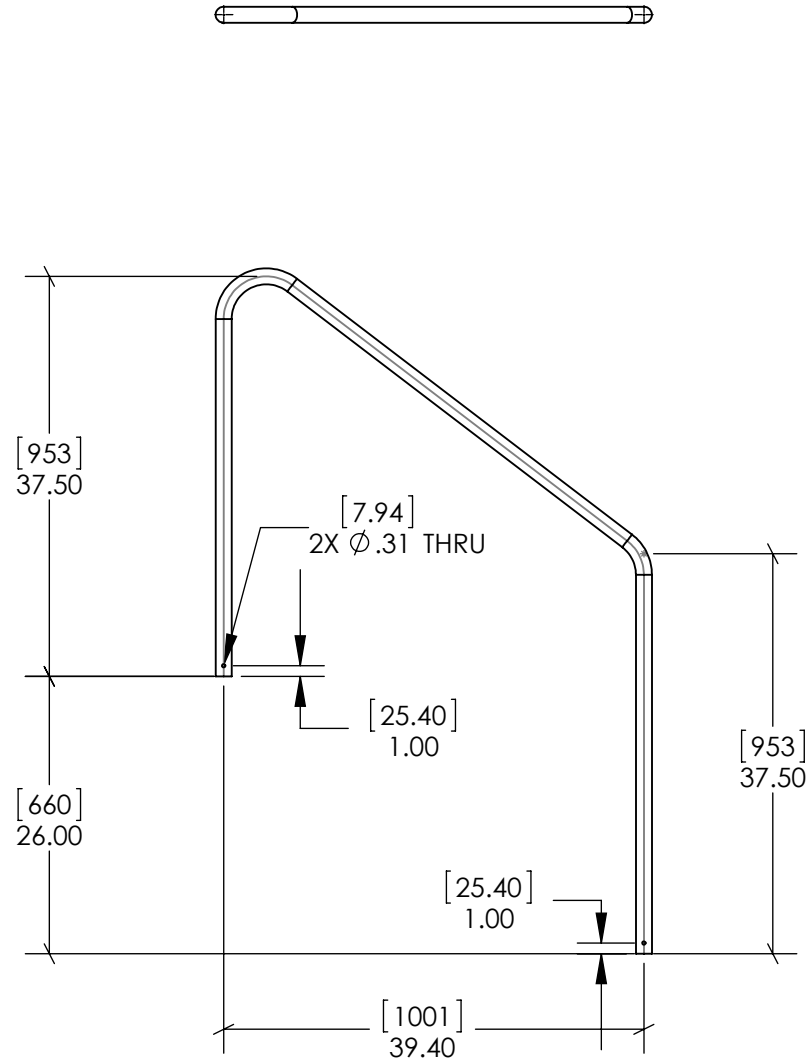
DRAWN BY: DTJ DATE: 4/1/14

CHECKED BY: DATE:



P.O. BOX 400 - 1017 S.W. BERG PARKWAY
CANBY, OREGON 97013
PHONE (503) 266-2231

REVISIONS			
REV.	DESCRIPTION	DATE	ECN



TUBING LENGTH: 121.10"

UNLESS OTHERWISE SPECIFIED
DIMENSIONS ARE IN INCHES,
TOLERANCES ARE:
FRACTIONAL: ±1/16
ANGULAR: ±1°
TWO PLACE DECIMAL: ±.06
THREE PLACE DECIMAL: .. ±.031

DESCRIPTION:
STAIR RAIL -1000MM STANDARD

MATERIAL:
1.50 x .065 (316L) S/S TUBING

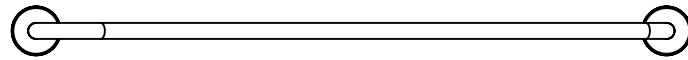
PART NO.: SR-SS-1000 REV. A

DRAWN BY: DTJ DATE: 4/1/14

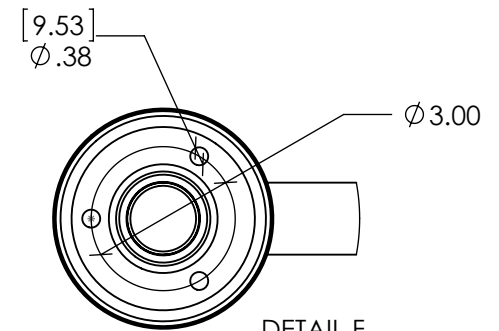
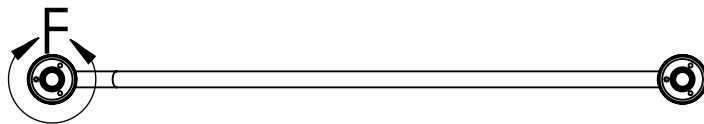
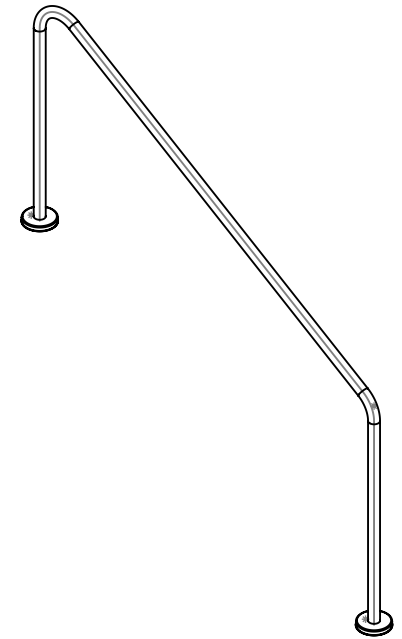
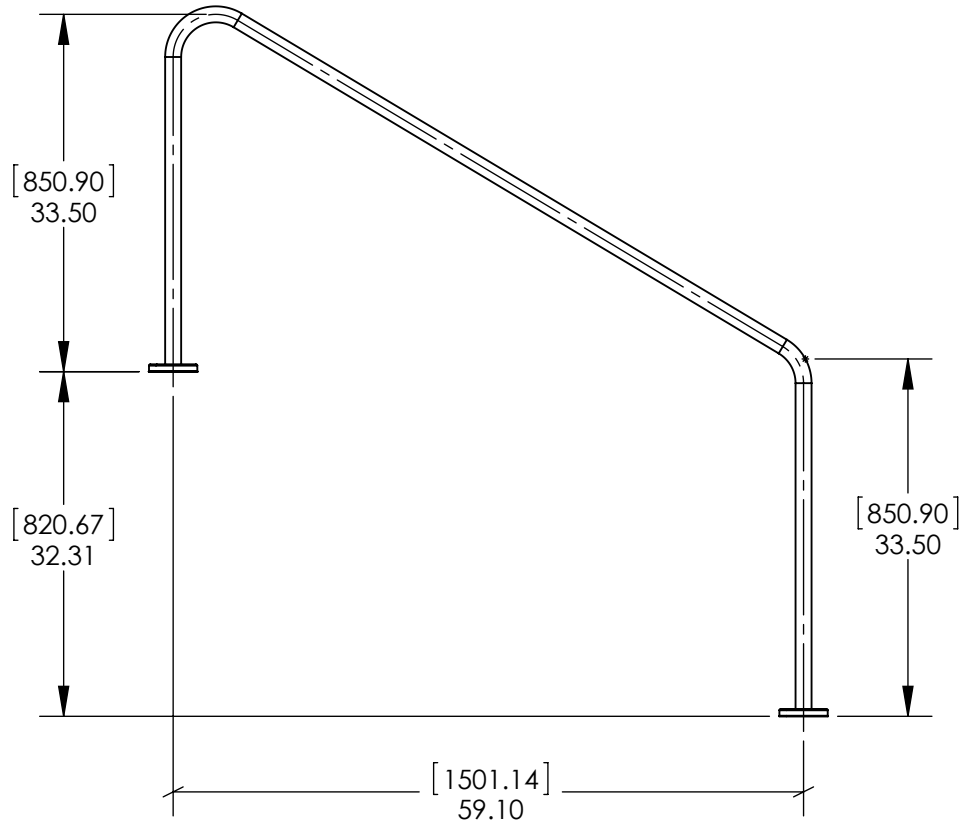
CHECKED BY: DATE:



P.O. BOX 400 - 1017 S.W. BERG PARKWAY
CANBY, OREGON 97013
PHONE (503) 266-2231



REVISIONS			
REV.	DESCRIPTION	DATE	ECN



DETAIL F
SCALE 1 : 4

TUBING LENGTH: 140.85"

UNLESS OTHERWISE SPECIFIED
DIMENSIONS ARE IN INCHES,
TOLERANCES ARE:
FRACTIONAL: ±1/16
ANGULAR: ±1°
TWO PLACE DECIMAL: ±.06
THREE PLACE DECIMAL: .. ±.031

DESCRIPTION:
STAIR RAIL -1500MM FLANGED

MATERIAL:
1.50 x .065 (316L) S/S TUBING

PART NO.: SR-SR-1500 REV. A

DRAWN BY: DTJ DATE: 4/1/14

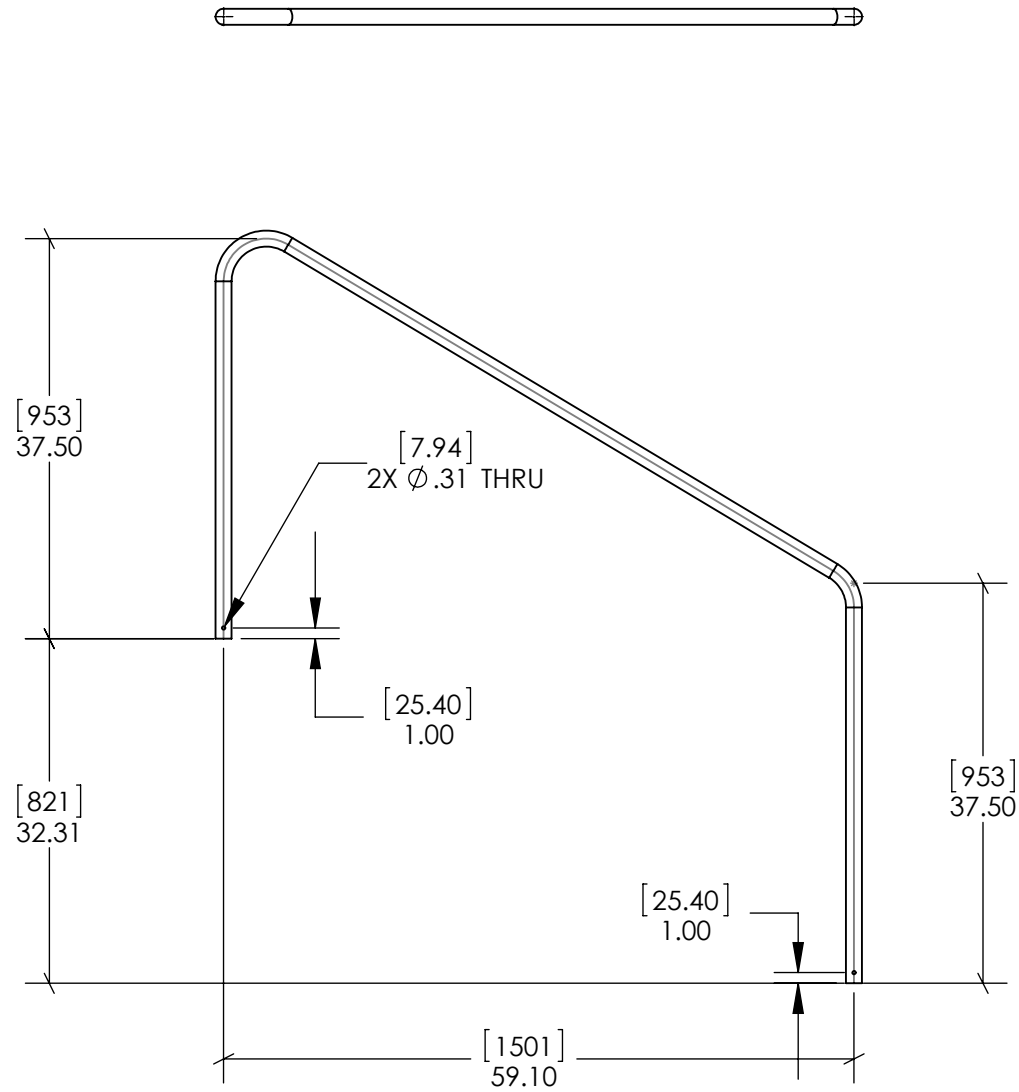
CHECKED BY: DATE:



P.O. BOX 400 - 1017 S.W. BERG PARKWAY
CANBY, OREGON 97013
PHONE (503) 266-2231

SIZE: A SCALE: 1:18 SHEET 1 OF 3

REVISIONS			
REV.	DESCRIPTION	DATE	ECN



TUBING LENGTH: 140.85"

UNLESS OTHERWISE SPECIFIED
DIMENSIONS ARE IN INCHES,
TOLERANCES ARE:
FRACTIONAL: $\pm 1/16$
ANGULAR: $\pm 1^\circ$
TWO PLACE DECIMAL: $\pm .06$
THREE PLACE DECIMAL: .. $\pm .031$

DESCRIPTION:
STAIR RAIL -1500MM STANDARD

MATERIAL:
1.50 x .065 (316L) S/S TUBING

PART NO.: SRS-SS-1500 REV. A

DRAWN BY: DTJ DATE: 4/1/14

CHECKED BY: DATE:



P.O. BOX 400 - 1017 S.W. BERG PARKWAY
CANBY, OREGON 97013
PHONE (503) 266-2231