


# Bestway®

## 58748

## OWNER'S MANUAL

[bestwaycorp.com/support](http://bestwaycorp.com/support)

Visit the Bestway YouTube channel 



[bestwaycorp.com/support](http://bestwaycorp.com/support)





# OWNER'S MANUAL

## 58748 4kW Pool Heater



Visit the Bestway YouTube channel

### IMPORTANT SAFETY INSTRUCTIONS

#### WARNING

220-240V~50Hz, 1PH, 5.33A, 1200W, IPX5

At 26°C Air and 26°C Water Condition:

Heating Capacity: 4.4kW

Power Input: 0.92kW

COP: 4.8

Noise Level 1M: 55dB(A)

Max. Suction Pressure: 2.5MPa

Max. Discharge Pressure: 4.2MPa

Max. Allowable Pressure: 4.4MPa

Refrigerant: R32(0.35kg)

GWFP: 675

CO<sub>2</sub> Equivalent: 0.236T

If the supply cord is damaged, it must be replaced by the manufacturer, its service agent or similarly qualified persons in order to avoid a hazard.

This appliance is not intended for use by persons (including children) with reduced physical, sensory or mental capabilities, or lack of experience and knowledge, unless they have been given supervision or instruction concerning use of the appliance by a person responsible for their safety. Children should be supervised to ensure that they do not play with the appliance. The appliance shall be placed 2m away from the pool.

The appliance cannot be used while people are inside the pool.

The appliance is to be supplied by an isolating transformer or supplied through a residual current device (RCD) having a rated residual operating current not exceeding 30 mA.

Extension cords can't be used.

If instruction is missed, please contact with Bestway or search it in website: [www.bestwaycorp.com](http://www.bestwaycorp.com).

**CAUTION:** Ensure all installation or service work is only carried out by licensed personnel.

Hermetically sealed equipment, leakage tested, contains fluorinated Greenhouse gas.

The appliance shall be installed in accordance with national wiring regulations.

Do not use means to accelerate the defrosting process or to clean, other than those recommended by the manufacturer.

The appliance shall be stored in a room without continuously operating ignition sources (for example: open flames, an operating gas appliance or an operating electric heater).

Do not pierce or burn.

Be aware that refrigerants may not contain an odour.

Compliance with national gas regulations shall be observed.

Keep any required ventilation openings clear of obstruction.

Servicing shall be performed only as recommended by the manufacturer.

The appliance shall be stored so as to prevent mechanical damage from occurring.

#### Qualification of workers.

Any person who is involved with working on or breaking into a refrigerant circuit should hold a current valid certificate from an industry-accredited assessment authority, which authorises their competence to handle refrigerants safely in accordance with an industry recognized assessment specification.

Servicing shall only be performed as recommended by the equipment manufacturer.

Maintenance and repair requiring the assistance of other skilled personnel shall be carried out under the supervision of the person competent in the use of flammable refrigerants.

#### Information on servicing

##### Checks to the area

Prior to beginning work on systems containing flammable refrigerants, safety checks are necessary to ensure that the risk

of ignition is minimised. For repair to the refrigerating system, the following shall be completed prior to conducting work on the system.

#### **Work procedure**

Work shall be undertaken under a controlled procedure so as to minimise the risk of a flammable gas or vapour being present while the work is being performed.

#### **General work area**

All maintenance staff and others working in the local area shall be instructed on the nature of work being carried out. Work in confined spaces shall be avoided.

#### **Checking for presence of refrigerant**

The area shall be checked with an appropriate refrigerant detector prior to and during work, to ensure the technician is aware of potentially toxic or flammable atmospheres.

Ensure that the leak detection equipment being used is suitable for use with all applicable refrigerants, i.e. non-sparking, adequately sealed or intrinsically safe.

#### **Presence of fire extinguisher**

If any hot work is to be conducted on the refrigerating equipment or any associated parts, appropriate fire extinguishing equipment shall be available to hand. Have a dry powder or CO<sub>2</sub> fire extinguisher adjacent to the charging area.

#### **No ignition sources**

No person carrying out work in relation to a refrigerating system which involves exposing any pipe work shall use any sources of ignition in such a manner that it may lead to the risk of fire or explosion. All possible ignition sources, including cigarette smoking, should be kept sufficiently far away from the site of installation, repairing, removing and disposal, during which refrigerant can possibly be released to the surrounding space. Prior to work taking place, the area around the equipment is to be surveyed to make sure that there are no flammable hazards or ignition risks. "No Smoking" signs shall be displayed.

#### **Ventilated area**

Ensure that the area is in the open or that it is adequately ventilated before breaking into the system or conducting any hot work. A degree of ventilation shall continue during the period that the work is carried out. The ventilation should safely disperse any released refrigerant and preferably expel it externally into the atmosphere.

#### **Checks to the refrigerating equipment**

Where electrical components are being changed, they shall be fit for the purpose and to the correct specification. At all times the manufacturer's maintenance and service guidelines shall be followed. If in doubt, consult the manufacturer's technical department for assistance.

The following checks shall be applied to installations using flammable refrigerants:

- the ventilation machinery and outlets are operating adequately and are not obstructed;
- if an indirect refrigerating circuit is being used, the secondary circuit shall be checked for the presence of refrigerant;
- marking to the equipment continues to be visible and legible. Markings and signs that are illegible shall be corrected;
- refrigerating pipe or components are installed in a position where they are unlikely to be exposed to any substance which may corrode refrigerant containing components, unless the components are constructed of materials which are inherently resistant to being corroded or are suitably protected against being so corroded.

#### **Checks to electrical devices**

Repair and maintenance to electrical components shall include initial safety checks and component inspection procedures. If a fault exists that could compromise safety, then no electrical supply shall be connected to the circuit until it is satisfactorily dealt with. If the fault cannot be corrected immediately but it is necessary to continue operation, an adequate temporary solution shall be used. This shall be reported to the owner of the equipment so all parties are advised.

Initial safety checks shall include:

- that capacitors are discharged: this shall be done in a safe manner to avoid possibility of sparking;
- that no live electrical components and wiring are exposed while charging, recovering or purging the system;
- that there is continuity of earth bonding.

#### **Repairs to sealed components**

During repairs to sealed components, all electrical supplies shall be disconnected from the equipment being worked upon prior to any removal of sealed covers, etc. If it is absolutely necessary to have an electrical supply to equipment during servicing, then a permanently operating form of leak detection shall be located at the most critical point to warn of a potentially hazardous situation.

Particular attention shall be paid to the following to ensure that by working on electrical components, the casing is not altered in such a way that the level of protection is affected. This shall include damage to cables, excessive number of connections, terminals not made to original specification, damage to seals, incorrect fitting of glands, etc.

Ensure that the apparatus is mounted securely.

Ensure that seals or sealing materials have not degraded to the point that they no longer serve the purpose of preventing the ingress of flammable atmospheres. Replacement parts shall be in accordance with the manufacturer's specifications.

#### **Repair to intrinsically safe components**

Do not apply any permanent inductive or capacitance loads to the circuit without ensuring that this will not exceed the permissible voltage and current permitted for the equipment in use.

Intrinsically safe components are the only types that can be worked on while live in the presence of a flammable atmosphere.

The test apparatus shall be at the correct rating.

Replace components only with parts specified by the manufacturer. Other parts may result in the ignition of refrigerant in the atmosphere from a leak.

## **Cabling**

Check that cabling will not be subject to wear, corrosion, excessive pressure, vibration, sharp edges or any other adverse environmental effects. The check shall also take into account the effects of aging or continual vibration from sources such as compressors or fans.

## **Detection of flammable refrigerants**

Under no circumstances shall potential sources of ignition be used in the searching for or detection of refrigerant leaks. A halide torch (or any other detector using a naked flame) shall not be used.

The following leak detection methods are deemed acceptable for all refrigerant systems.

Electronic leak detectors may be used to detect refrigerant leaks but, in the case of flammable refrigerants, the sensitivity may not be adequate, or may need re-calibration. (Detection equipment shall be calibrated in a refrigerant-free area.) Ensure that the detector is not a potential source of ignition and is suitable for the refrigerant used. Leak detection equipment shall be set at a percentage of the LFL of the refrigerant and shall be calibrated to the refrigerant employed, and the appropriate percentage of gas (25% maximum) is confirmed.

Leak detection fluids are also suitable for use with most refrigerants but the use of detergents containing chlorine shall be avoided as the chlorine may react with the refrigerant and corrode the copper pipe-work.

**NOTE:** Examples of leak detection fluids are

- bubble method,
- fluorescent method agents.

If a leak is suspected, all naked flames shall be removed/extinguished.

If a leakage of refrigerant is found which requires brazing, all of the refrigerant shall be recovered from the system, or isolated (by means of shut off valves) in a part of the system remote from the leak. Removal of refrigerant shall be according to the following precautions.

## **Removal and evacuation**

When breaking into the refrigerant circuit to make repairs - or for any other purpose - conventional procedures shall be used.

However, for flammable refrigerants it is important that best practice is followed since flammability is a consideration. The following procedure shall be adhered to:

- remove refrigerant;
- purge the circuit with inert gas (optional for A2L);
- evacuate (optional for A2L);
- purge with inert gas (optional for A2L);
- open the circuit by cutting or brazing.

The refrigerant charge shall be recovered into the correct recovery cylinders. For appliances containing flammable refrigerants other than A2L refrigerants, the system shall be purged with oxygen-free nitrogen to render the appliance safe for flammable refrigerants. This process may need to be repeated several times.

Compressed air or oxygen shall not be used for purging refrigerant systems.

For appliances containing flammable refrigerants, other than A2L refrigerants, refrigerants purging shall be achieved by breaking the vacuum in the system with oxygen-free nitrogen and continuing to fill until the working pressure is achieved, then venting to atmosphere, and finally pulling down to a vacuum. This process shall be repeated until no refrigerant is within the system. When the final oxygen-free nitrogen charge is used, the system shall be vented down to atmospheric pressure to enable work to take place. This operation is absolutely vital if brazing operations on the pipe-work are to take place.

Ensure that the outlet for the vacuum pump is not close to any potential ignition sources and that ventilation is available.

## **Charging procedures**

In addition to conventional charging procedures, the following requirements shall be followed.

- Ensure that contamination of different refrigerants does not occur when using charging equipment. Hoses or lines shall be as short as possible to minimise the amount of refrigerant contained in them.
- Cylinders shall be kept in an appropriate position according to the instructions.
- Ensure that the refrigerating system is earthed prior to charging the system with refrigerant.
- Label the system when charging is complete (if not already).
- Extreme care shall be taken not to overfill the refrigerating system.

Prior to recharging the system, it shall be pressure-tested with the appropriate purging gas.

The system shall be leak-tested on completion of charging but prior to commissioning. A follow up leak test shall be carried out prior to leaving the site.

## **Decommissioning**

Before carrying out this procedure, it is essential that the technician is completely familiar with the equipment and all its detail. It is recommended good practice that all refrigerants are recovered safely. Prior to the task being carried out, an oil and refrigerant sample shall be taken in case analysis is required prior to re-use of recovered refrigerant. It is essential that electrical power is available before the task is commenced.

- a) Become familiar with the equipment and its operation.
- b) Isolate system electrically.
- c) Before attempting the procedure, ensure that:
  - mechanical handling equipment is available, if required, for handling refrigerant cylinders;
  - all personal protective equipment is available and being used correctly;
  - the recovery process is supervised at all times by a competent person;
  - recovery equipment and cylinders conform to the appropriate standards.
- d) Pump down refrigerant system, if possible.

- e) If a vacuum is not possible, make a manifold so that refrigerant can be removed from various parts of the system.
- f) Make sure that cylinder is situated on the scales before recovery takes place.
- g) Start the recovery machine and operate in accordance with instructions.
- h) Do not overfill cylinders (no more than 80 % volume liquid charge).
- i) Do not exceed the maximum working pressure of the cylinder, even temporarily.
- j) When the cylinders have been filled correctly and the process completed, make sure that the cylinders and the equipment are removed from site promptly and all isolation valves on the equipment are closed off.
- k) Recovered refrigerant shall not be charged into another refrigerating system unless it has been cleaned and checked.

#### **Labelling**

Equipment shall be labelled stating that it has been de-commissioned and emptied of refrigerant. The label shall be dated and signed. For appliances containing flammable refrigerants, ensure that there are labels on the equipment stating the equipment contains flammable refrigerant.

#### **Recovery**

When removing refrigerant from a system, either for servicing or decommissioning, it is recommended good practice that all refrigerants are removed safely.

When transferring refrigerant into cylinders, ensure that only appropriate refrigerant recovery cylinders are employed.

Ensure that the correct number of cylinders for holding the total system charge is available. All cylinders to be used are designated for the recovered refrigerant and labelled for that refrigerant (i.e. special cylinders for the recovery of refrigerant). Cylinders shall be complete with pressure-relief valve and associated shut-off valves in good working order. Empty recovery cylinders are evacuated and, if possible, cooled before recovery occurs.

The recovery equipment shall be in good working order with a set of instructions concerning the equipment that is at hand and shall be suitable for the recovery of all appropriate refrigerants including, when applicable, flammable refrigerants. In addition, a set of calibrated weighing scales shall be available and in good working order. Hoses shall be complete with leak-free disconnect couplings and in good condition. Before using the recovery machine, check that it is in satisfactory working order, has been properly maintained and that any associated electrical components are sealed to prevent ignition in the event of a refrigerant release. Consult manufacturer if in doubt.

The recovered refrigerant shall be returned to the refrigerant supplier in the correct recovery cylinder, and the relevant waste transfer note arranged. Do not mix refrigerants in recovery units and especially not in cylinders.

If compressors or compressor oils are to be removed, ensure that they have been evacuated to an acceptable level to make certain that flammable refrigerant does not remain within the lubricant. The evacuation process shall be carried out prior to returning the compressor to the suppliers. Only electric heating to the compressor body shall be employed to accelerate this process. When oil is drained from a system, it shall be carried out safely.

## **SETUP**

#### **CHECK LIST**

To check the parts included in the box, consult the parts list in this manual. Verify that the equipment components represent the model that you had intended to purchase. In case of any damaged or missing parts at the time of purchase, visit our website [bestwaycorp.com/support](http://bestwaycorp.com/support).

#### **CHOOSE THE CORRECT LOCATION**

The Pool Heater will work properly in any location under the following conditions:

- The Pool Heater must be located 2m away from the pool and 1m away from any objects.
- Always hold the Pool Heater upright. If the device has been held in a different position, to stabilize the liquid gas inside the system, wait at least 24 hours before starting to use it.
- Never install the unit closed to shrubbery that could block the air inlet. Such locations impair the continuous supply of fresh air, resulting in reduced efficiency and possibly preventing sufficient heat output.
- The Pool Heater has a fan to expel cold air. Make sure to position the Pool Heater so that the cold air will not go in the direction of the pool.
- Place the Pool Heater near a drain point. The air drawn into the Pool Heater is strongly cooled by the operation for heating the pool water, which may cause condensation on the evaporator.

The amount of condensation may be as much as several liters per hour at high relative humidity. This is sometimes mistakenly regarded as a water leak.

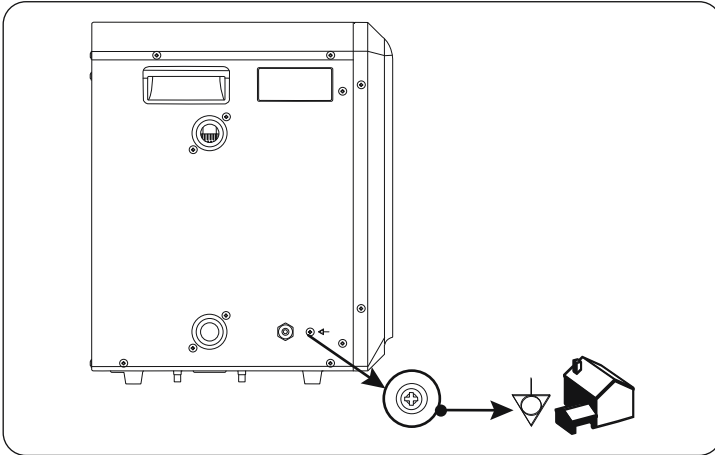
## INSTALLATION

For the installation, follow the instructions in this manual. Drawings in the assembly section are for illustration purposes only and may not reflect actual product. Not to scale.

### RECOMMENDATIONS DURING THE INSTALLATION

- In order to heat the water in the pool, the Filter Pump must be running to circulate the water through the Pool Heater. It will not start up if the water is not circulating.
- If a chlorinator or other equipment that produces chemicals is installed in the system, it must be installed after the Pool Heater. This will help avoid a high level of chemicals, which can damage the metal part of the Pool Heater.
- Before connecting the unit, verify that the supply voltage matches the operating voltage of the Pool Heater.
- When connecting the plug to the wall socket, ensure the power plug is secure. If the plug is not secure, it may cause an electric shock, over-heating or fire.
- Never pull out the power plug during operation. Otherwise, it may cause an electric shock or a fire due to over-heating.
- Heat pump equipotential bonding terminal

It is recommended to arrange for a qualified electrician to connect the heat pump to an equipotential bonding terminal using a minimum 2.5mm<sup>2</sup> solid copper conductor.



## USING THE POOL HEATER

- Switch on the filter pump. Check for leaks and verify that water is flowing from and to the swimming pool.
- Connect power to the heat pump and press the On/Off button on the control panel. The unit will start up.
- When first powered on, the Pool Heater will check the water flow in 30 seconds, then start running if the water flow is ok.
- The heat pump has a built-in, 3-minute start-up delay to protect the circuitry and avoid excessive contact wear. The unit will restart automatically after this time delay expires.
- After a few minutes, check whether the air blowing out of the unit is cooler.
- When turning off the filter pump, the unit should also turn off automatically.
- Depending on the initial temperature of the water in the swimming pool and the air temperature, it may take some time to heat the water to the desired temperature. A good swimming pool cover can dramatically reduce the required length of time.



When the Pool Heater is running or on standby, the display shows the water inlet temperature.



**HEATING LED:** The icon is on when the Pool Heater is working



**DEFROSTING LED:** The icon flashes when the Pool Heater is defrosting



**ON/OFF BUTTON:** Press this button to turn on the heat pump. The LED display will show the water setting temperature for 3s, then it will show the real water temperature. Press the button again to turn off the Pool Heater, it will show 'OFF' on the display.



**TEMPERATURE ADJUSTMENT BUTTON:** Press the arrows adjust the desired water temperature. The temperature on the display will flash when the desired temperature is set and the data will be saved after 3 seconds. The temperature adjustment range is 15°C-40°C.



**CELSIUS/FAHRENHEIT TOGGLE:** Hold for 3 seconds to switch Celsius (°C) and Fahrenheit (°F)

## HEATING RATE TABLE

Pool water capacity	Environment temperature	Maximum water temperature
30,000L~20,001L	12°C ~15°C	25°C
	15°C ~20°C	30°C
	20°C ~25°C	33°C
20,000L~10,000L	12°C ~15°C	28°C
	15°C ~20°C	33°C
	20°C ~25°C	35°C
below 10,000L	12°C ~15°C	30°C
	15°C ~20°C	35°C
	20°C ~25°C	40°C

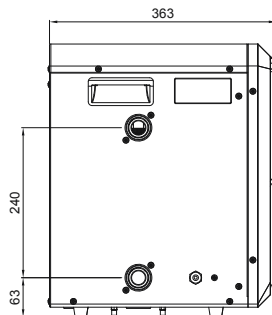
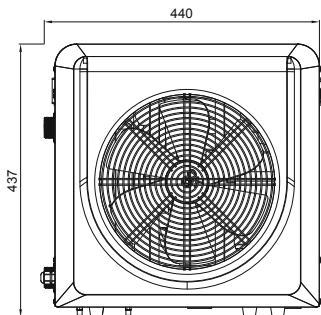
### The water heating rate may change in the conditions below:

1. If the maintenance of the filtration system is not performed following the instruction on the owners manual and the flow rate is reduced.
2. If the cover is not in position. Always keep the Pool cover on when the Pool Heater is in use.
3. In windy conditions, the heating rate will be reduced.
4. Do not use the Pool Heater in rainy conditions as it will not be able to warm the temperature of the water.

The water temperature as tested by an external thermometer may vary from the temperature as displayed on the panel by as much as approximately 2°C(35.6°F).

The Pool Heater has been tested under the limited condition with ambient temp. 43°C (Dry bulb) and 26°C (Wet bulb)

Model No.	58748
<b>* General data</b>	
Water Flow Volume (m³/h)	≥2.0
Advised pool size m³	≤30
Water connection (mm)	32 or 38
Heat Exchanger	Titanium
Air Flow Direction	Horizontal
Working Ambient Temperature	12~43
Heating Rate	1°C to 3°C / 24 hours
Set Water Temperature Range	15~40
Types and Parameters of Fuses	T, 250 V, 3, 15 A
Max and Min Pressure of Water	Max: 1MPa; Min: 0.01MPa
Working Water Temperature Range	5~40



## MAINTENANCE

**CAUTION:** You must ensure the Pool Heater is unplugged before beginning the maintenance to avoid risk of injury or death.

- Please check the filtration system regularly. Sand and Filter cartridge must be kept clean and the air must be eliminated to avoid low water flow, which could damage the Pool Heater and reduce the performance.
- If the Pool Heater is not in operation for a long time (especially during the winter season), all the water inside must be discharged.

## DISASSEMBLY

### DRAINING

To drain the Pool Heater, consult the instructions inside the manual. Drawings in the assembly leaflet are for illustration purposes only. May not reflect actual product. Not to scale.

## STORAGE

Remove all accessories; be sure to clean and dry all before storing. If all the parts are not completely dry, mold may result. We strongly recommend removing the Pool Heater when the environment temperature is below 10°C/50°F. Store the Pool Heater in a dry place with a moderate temperature between 10°C/50°F and 38°C/100°F.

Keep away from heat sources and fire sources and storage of flammable and explosive materials.

## WARRANTY TERMS

For information concerning warranty terms, visit our website at: [www.bestwaycorp.com](http://www.bestwaycorp.com)

## ERROR CODES

Malfunction	Code	Reason	Solution
Water temperature sensor failure	P1	Water temperature sensor doesn't work properly.	For assistance, please visit the support section of our website <a href="http://www.bestwaycorp.com">www.bestwaycorp.com</a>
Piping temperature sensor failure	P3	Piping temperature doesn't work properly.	For assistance, please visit the support section of our website <a href="http://www.bestwaycorp.com">www.bestwaycorp.com</a>
Ambient temperature sensor failure	P5	Ambient temperature sensor doesn't work properly.	For assistance, please visit the support section of our website <a href="http://www.bestwaycorp.com">www.bestwaycorp.com</a>
Too low or too high ambient temperature protection	E0	1. Ambient temperature is out of operating range: below 12°C over 43°C. 2. Ambient temperature protection doesn't work properly.	1. Wait the ambient temperature recover the operation range. 2. For assistance, please visit the support section of our website <a href="http://www.bestwaycorp.com">www.bestwaycorp.com</a> .
Water flow sensor does not detect water flow.	E3	1. Insufficient or no water flow. 2. Water flow sensor doesn't work properly.	1. Check that the filtration system is working. 2. For assistance, please visit the support section of our website <a href="http://www.bestwaycorp.com">www.bestwaycorp.com</a>



## CLEANING

Improper cleaning can result in damage to the device.

Cleaning the heat pump

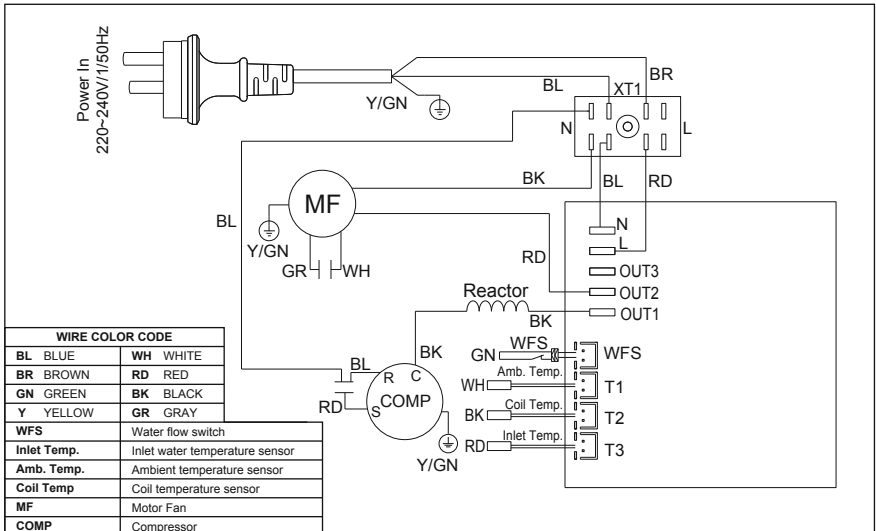
- Do not cut off the power supply before the cleaning process
- Do not use any aggressive cleaning agents
- Do not use any sharp or metal objects such as knives, hard putty knives or the like
- Do not use any cleaning brushes
- Do not use a high-pressure cleaner
- Clean the housing and ventilation grill with a slightly damp cloth carefully
- Dry off the heat pump with a dry cloth

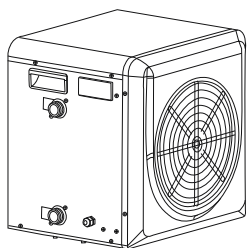
## SERVICE

Malfunctions	Observing	Reason	Solution
Pool Heater is not running	LED display off.	No power supply.	Check if there is a power in the wall socket where the Pool heater is connected.
	LED display is on, and it shows the water temperature	1. Water temperature is reaching the setting value. 2. The pool heater just started.	1. Verify water temperature setting. 2. The Pool Heater has a built-in, 3-minute start-up delay to protect the circuitry and avoid excessive contact wear.
Pool heating effect	1. LED displays on and it shows water temperature, no error code displays. 2. The air from the blower is not cold.	1. Poor ventilation at the installation site. 2. The heating system fails and the fan blades does not operate.	1. Check the location of heat pump unit and eliminate all obstacles to make good air ventilation. 2. For assistance, please visit the support section of our website <a href="http://www.bestwaycorp.com">www.bestwaycorp.com</a> .
Water leakage	Water on the floor when the Pool Heater doesn't work.	Water leakage.	1. Check the connection with the hoses untight, loosen and place the gasket in position. 2. For assistance, please visit the support section of our website <a href="http://www.bestwaycorp.com">www.bestwaycorp.com</a> .

## DISPOSAL OF REFRIGERANT

The Pool Heater contains refrigerant. As it is a harmful substance, the refrigerant must be disposed of properly at a collection point approved for this purpose.





1



6



2



3



4

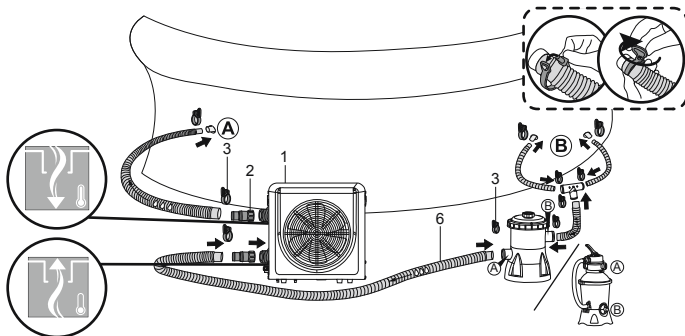


5

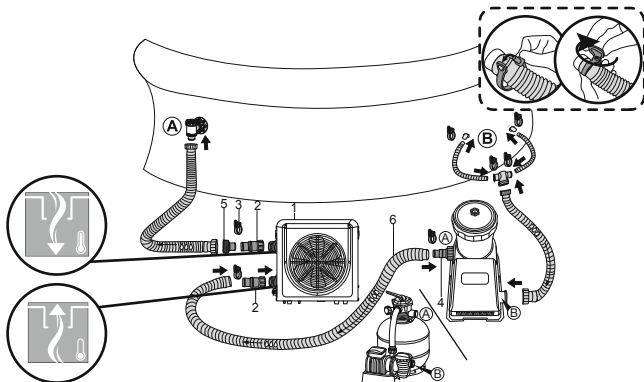
No.	A
1	×1
2	×2
3	×3
4	×1
5	×1
6	×1



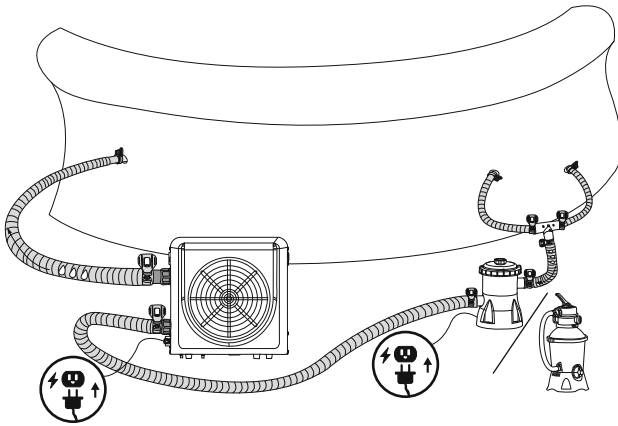
1-a



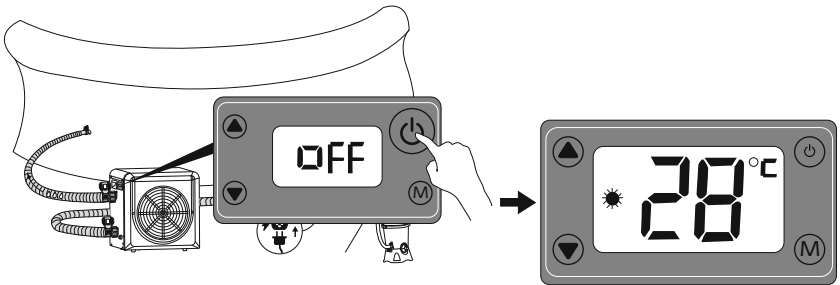
1-b



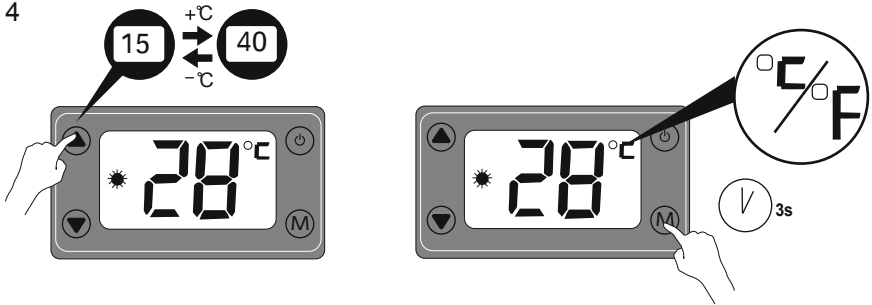
2



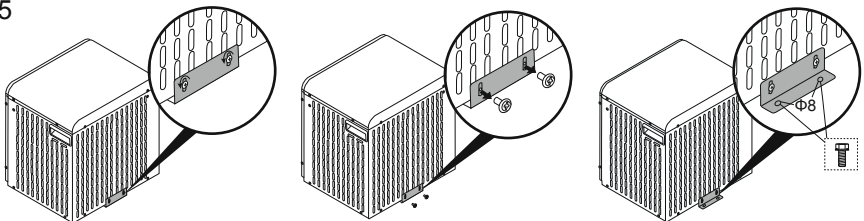
3



4



5



# Bestway®

For support please visit us at:  
[bestwaycorp.com/support](http://bestwaycorp.com/support)



©2022 Bestway Inflatables & Material Corp.

All rights reserved/Tous droits réservés/Todos los derechos reservados/Alle Rechte vorbehalten/Tutti i diritti riservati

Trademarks used in some countries under license from/

Marques utilisées dans certains pays sous la licence de/

Marcas comerciales utilizadas en algunos países bajo la licencia de/

Die Warenzeichen werden in einigen Ländern verwendet unter Lizenz der/

Marchi utilizzati in alcuni paesi concessi in licenza a

**Bestway Inflatables & Material Corp., Shanghai, China**

Manufactured, distributed and represented in the European Union by/

Fabriqués, distribués et représentés dans l'Union Européenne par/Fabricado, distribuido y representado en la Unión Europea por/

Hergestellt, vertrieben und in der Europäischen Union vertreten von/Prodotto, distribuito e rappresentato nell'Unione Europea da

**Bestway Europe S.p.a., Via Resistenza, 5, 20098 San Giuliano Milanese (Milano), Italy**

Distributed in Latin America by/Distribué en Amérique latine par/Distribuido en Latinoamérica por/Distribuido na América Latina por

**Bestway Central & South America Ltda, Salar Ascotan 1282, Parque Enea, Pudahuel, Santiago, Chile**

Distributed in Australia & New Zealand by **Bestway Australia Pty Ltd, Unit 2/98-104 Carnarvon St Silverwater, NSW 2128, Australia**

Tel: Australia: (+61) 2 9037 1388; New Zealand: 0800 142 101

Distributed in United Kingdom by **Bestway Corp UK Ltd, 8 Wentworth Road, Heathfield Industrial Estate, Newton Abbot, Devon, TQ12 6TL**

Exported by/Exporté par/Exportado por/Exportiert von/Esportato da

**Bestway (Hong Kong) International Ltd./Bestway Enterprise Company Limited**

Suite 713, 7/Floor, East Wing, Tsim Sha Tsui Centre, 66 Mody Road, Kowloon, Hong Kong

[www.bestwaycorp.com](http://www.bestwaycorp.com)