

Bestway®



bestwaycorp.com/support





OWNER'S MANUAL

58497 Hmax 1.5 m Sand Filter



Visit the Bestway YouTube channel

SAFETY INSTRUCTIONS

WARNING

IMPORTANT SAFETY INSTRUCTIONS - READ AND FOLLOW ALL SAFETY INSTRUCTIONS - SAVE THESE INSTRUCTIONS

When installing and using this electrical equipment, basic safety precautions should always be followed, including the following:

- The pump is to be supplied by an isolating transformer or supplied through a residual current device (RCD) having a rated residual operating current not exceeding 30 mA.
- The appliance must be supplied by earthed power source.
- **RISK OF ELECTRIC SHOCK** - The pump cannot be used while people are inside the pool. Forbid access of the pool in case of damage of the sand filter.
- **DO NOT BURY CORD.** Locate cord to minimize abuse from lawn mowers, hedge trimmers, and other equipment.
- To reduce the risk of electric shock, replace damaged cord immediately.
- If the supply cord is damaged, it must be replaced by the manufacturer, its service agent or similarly qualified persons in order to avoid a hazard.
- Extension cords can't be used.
- Risk of electric shock. Using the sand filter with an unmatched electrical supply is dangerous and will permanently damage the sand filter.
- Do not remove the grounding prong or modify the plug in anyway. Do not use adaptor plugs. Consult a qualified electrician for any questions relating to validity of your plugs or grounding.
- Handle the sand filter with care. Do not pull or carry the sand filter by the power cord. Never pull a plug from the outlet by yanking the power cord. Keep cord free from abrasions. Sharp objects, oil, moving parts, and heat should never be exposed to the sand filter.
- Always unplug this product from the electrical outlet before removing, cleaning, servicing or making any adjustment to the product.
- This appliance is not intended for use by persons (including children) with reduced physical, sensory or mental capabilities, or lack of experience and knowledge, unless they have been given supervision or instruction concerning use of the appliance by a person responsible for their safety. Children should be supervised to ensure that they do not play with the appliance.
- Don't plug or unplug the appliance if hand is wet.
- Always unplug the appliance:
 - On raining days
 - Before cleaning or other maintenance
 - Leave it unattended on holidays
- Safe-keeping the instruction. For reconstruction the pool set every time, please always refer to the instructions.
- If instruction is missed, please contact with Bestway or search it in website: www.bestwaycorp.com
- Electric installations should follow national wiring rules. Consult a qualified electrician for any questions. Pool fencing laws affect this product, consult your local council. Empty and store safely when not in use.

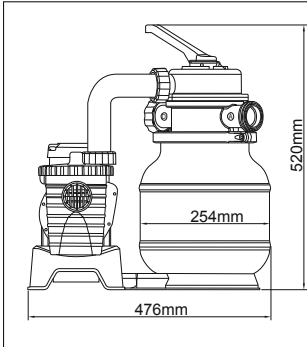
CAUTION: This sand filter is for use with storable pools only. Do not use with permanently-installed pools. A storable pool is constructed so that it is capable of being readily disassembled for storage and reassembled to its original integrity. A permanently-installed pool is constructed in or on the ground or in a building such that it cannot be readily disassembled for storage.

NOTES:

- Place the sand filter on solid, level ground.
- Pay attention to position pool and sand filter so adequate ventilation, drainage, and access for maintenance is available. Never place the sand filter in an area that may accumulate water, or on a walking path with lots of foot traffic.
- It is necessary to have the plug accessible after installation of the pool. The plug of the sand filter shall be at least 3.5 m away from the pool.
- Atmospheric conditions may affect the performance and life span of the sand filter; take adequate precautions to protect the sand filter from unnecessary wear and tear that may occur during periods of cold or hot weather and/or exposure to sun.
- Please examine and verify all sand filter components are present before use. Notify Bestway at the customer service address listed on this manual for any damaged or missing parts at the time of purchase.
- It is imperative to change as soon as possible all deteriorated parts. Only use parts approved by the manufacturer.
- Do not allow children or adults to lean or sit on the apparatus.
- Do not add chemicals to the sand filter.
- When chemical products are used to clean the pool water, it is recommended to respect a minimum filtration time to preserve the health of swimmers which depends on compliance of health regulation.
- This product is not intended for commercial use.
- Cleaning and user maintenance must be performed by an adult above 18 years old who is familiar with the risk of electric shock.
- When the appliance will be not used for long time, such as in the winter, the pool set should be disassembled and stored indoor.
- Caution Read the instruction before using the appliance and installation/reassembly every time.

SAVE THESE INSTRUCTIONS

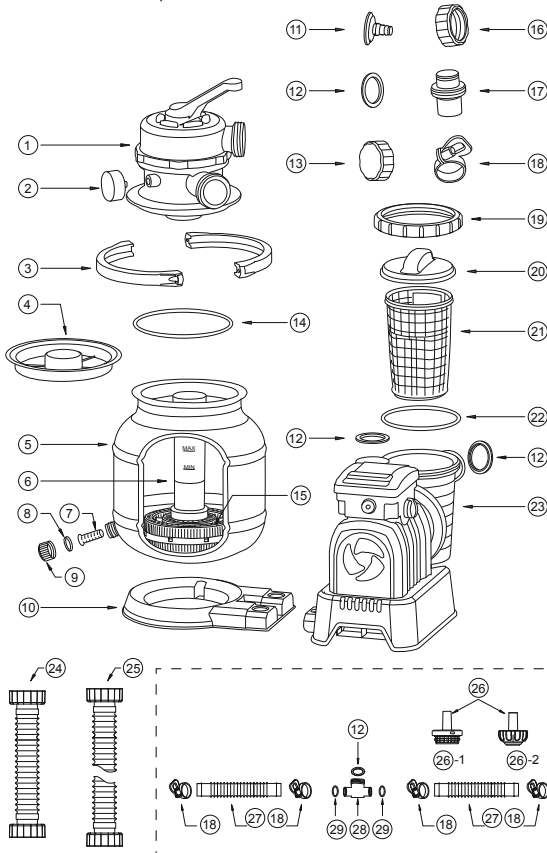
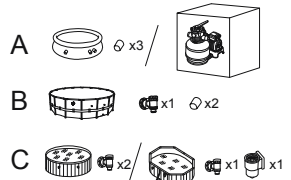
SPECIFICATIONS



Filter Diameter:	254 mm
Effective Filter Area:	0.05 m ² (0.54 ft ²)
Max. Operating Pressure:	0.83 Bar(12 PSI)
Working sand filter pressure:	<0.45 Bar(6.5 PSI)
Max. Water Temperature:	35°C
Sand:	Not included
Sand Size:	#20 silica sand,0.45-0.85 mm
Sand Capacity:	Approximately 9 kg

PARTS REFERENCE OVERVIEW

Before assembling the sand filter, take a few minutes to become familiar with all the sand filter parts.



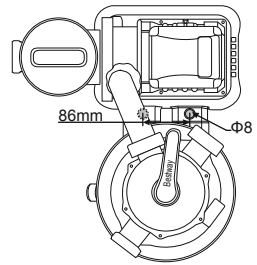
REF.NO	A	B	C
①	x1	x1	x1
②	x1	x1	x1
③	x2	x2	x2
④	x1	x1	x1
⑤	x1	x1	x1
⑥	x1	x1	x1
⑦	x1	x1	x1
⑧	x1	x1	x1
⑨	x1	x1	x1
⑩	x1	x1	x1
⑪	x1	x1	x1
⑫	x6	x6	x5
⑬	x1	x1	x1
⑭	x1	x1	x1
⑮	x1	x1	x1
⑯	x1	x1	x1
⑰	x2	x0	x0
⑱	x5	x4	x0
⑲	x1	x1	x1
⑳	x1	x1	x1
㉑	x1	x1	x1
㉒	x1	x1	x1
㉓	x1	x1	x1
㉔	x1	x1	x1
㉕	x2	x2	x2
㉖-1	x2	x2	x0
㉖-2	x1	x0	x0
㉗	x2	x2	x0
㉘	x1	x1	x0
㉙	x2	x2	x0

ASSEMBLY

(You will need a screwdriver.)



1. Carefully remove all components from the package and check to ensure nothing is damaged. If equipment is damaged, immediately notify the retailer from where the equipment was purchased.
2. The sand filter should be placed on solid, level ground, preferably a concrete slab. Position the sand filter so the Ports and Control Valve are accessible for operation, servicing and winterizing.
3. EN60335-2-41 TEST standard requires the sand filter to be vertically fixed on ground or a certain pedestal made of wood or concrete before use to prevent the sand filter from accidentally falling. Fully assembled sand filter will exceed 18 kg. The mounting holes should be 8 mm in diameter and spaced 86 mm apart. Use two bolts and nuts with a maximum of 8 mm in diameter to fasten the sand filter to the pedestal.



IMPORTANT: Do not place chlorine in the strainer to avoid damaging the sand filter.

LOAD POOL-GRADE FILTER SAND/POLYSPHERE™ POOL FILTRATION BALLS.

NOTE: Use only special pool-grade filter sand, free of all limestone or clay: #20 Silica sand 0.45-0.85 mm, approximately one 9 kg bag should suffice. If you do not use the recommended size filter sand, filtering performance will be reduced and the sand filter may be damaged, thereby voiding warranty.

IMPORTANT: We suggest using #20 silica sand with your pool sand filter. It is specially graded to trap particles in the 20 - 100 micron range. Some small debris can pass through the sand and back into the pool. This is normal, especially if the debris is fine or silt. To limit this, it is better to follow the maintenance instructions, and backwash and rinse when necessary.

We also suggest contacting your pool dealer for the chemical product specifically made to clean the sand. The correct maintenance of the sand will optimize the cleaning efficiency and avoid accumulation of oils or scale.

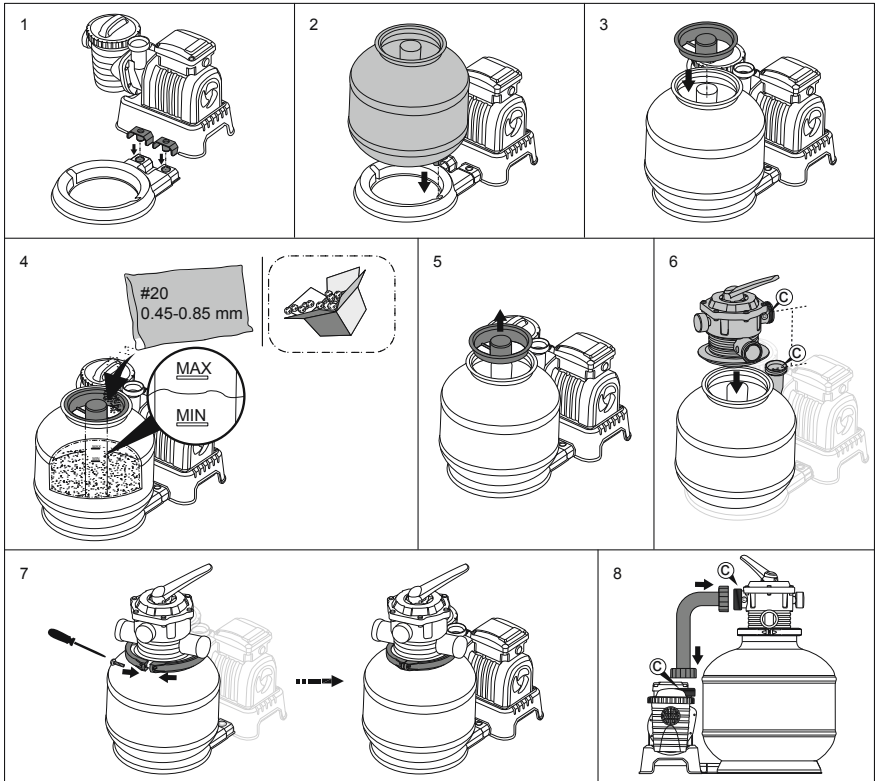
When you are vacuuming the bottom of the pool that has a large amount of debris, we suggest to backwash the sand when you finish cleaning half of the pool.

Remember to backwash and rinse the sand after vacuuming the bottom of the pool each time.

NOTE: To avoid damaging the Skimmer when adding sand, pour some water into the Bottom Tank to submerge the Skimmer on the Collector Hub.

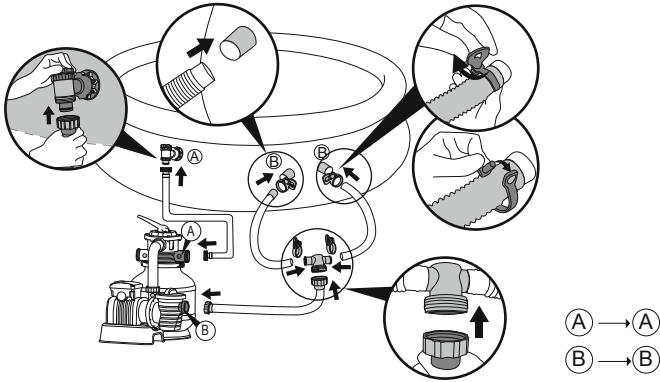
NOTE: Sand/Polysphere™ Pool Filtration Balls not included.

NOTE: Use 28 g (0.06 lbs) Polysphere™ Pool Filtration Balls to replace 1 kg (2.20 lbs) sand.

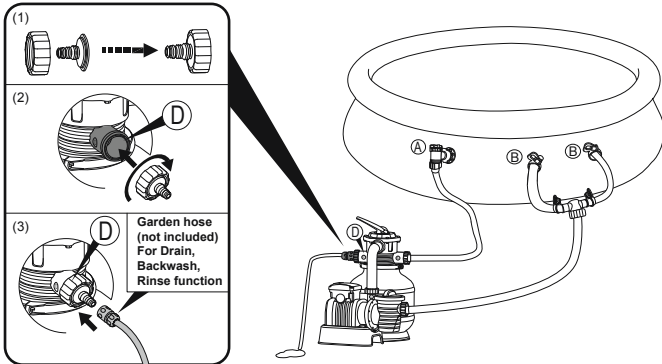


CONNECT TO THE POOL

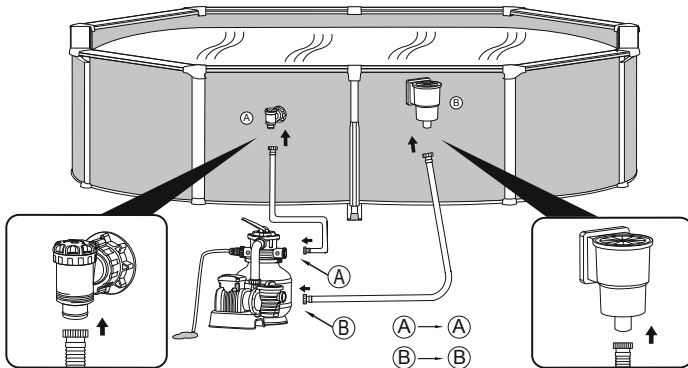
V1.1



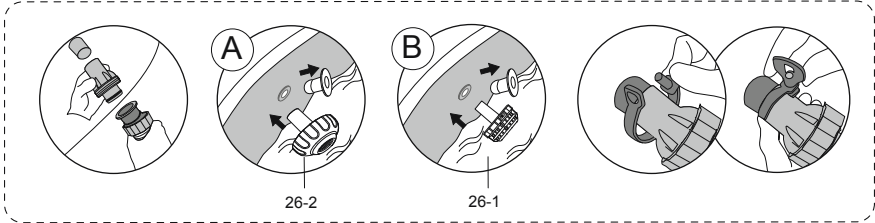
V1.2



V2



FOR POOL WITH 32 MM (1.25 IN.) VALVE



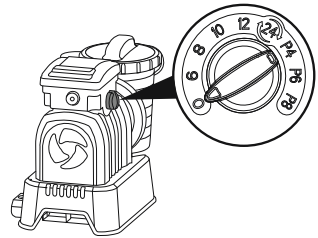
STOP Before switching on, please read the manual carefully.

OPERATION

TIMER

1. Plug into power source, turn the knob to the desired position. The sand filter will begin working immediately.
2. Turn the knob on the "0" position. The sand filter will stop working immediately.
3. After turning on, you can adjust work time, rest time and cycle time by turning the knob to desired position. See the table below for more details.
4. When the timer knob is moved into new position, the filter's previous cycle automatically cancels so new cycle can begin.
5. Each time the filter is powered on or restarted, a new cycle will begin based on timer knob position.

NOTE: If the knob is adjusted to the 24-hour position (24), the sand filter will work continuously without any rest period.



Knob Position	Working time(H)	Rest time(H)	Cycle period(H)
0	/	/	/
6	6	18	24
8	8	16	24
10	10	14	24
12	12	12	24
24	24	0	24
P4	4	4	8
P6	6	6	12
P8	8	8	16

CONTROL VALVE OVERVIEW

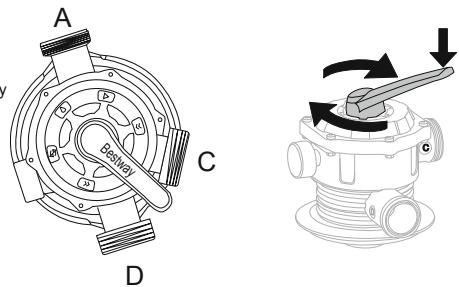
WARNING: To prevent equipment damage and possible injury, always switch off sand filter before changing the Control Valve function. Changing valve positions while the pump is running can damage the Control Valve, which may cause personal injury or property damage.

How to Use the Control Valve:

Press down on the Control Valve handle and rotate to desired function.

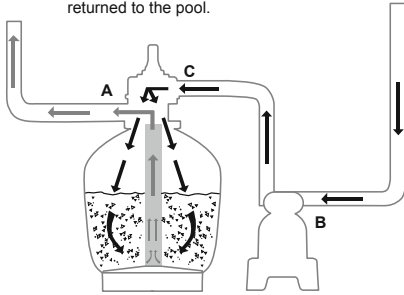
CONTROL VALVE FUNCTIONS

The Control valve is used to select 6 different filter functions: Filter, Closed, Backwash, Rinse, Drain and Circulate.

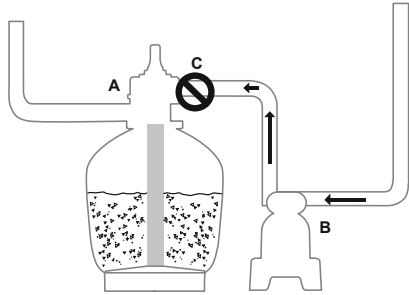




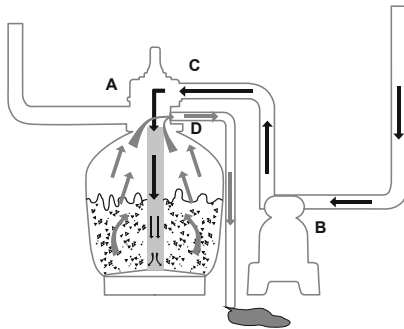
Filter: This function is used to filter pool water and should be positioned here 99% of the time. Water is pumped through the sand filter and returned to the pool.



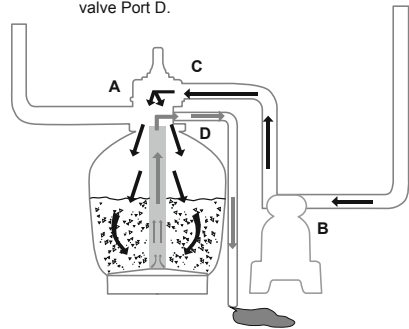
Closed: This function stops water flowing between the sand filter and the pool.



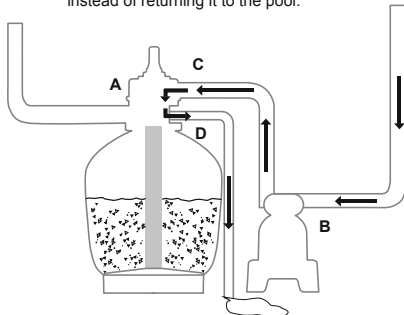
Backwash: This function is used to clean the sand bed; water is pumped up through the Collector Hub, upwards through the sand bed, and deposited out of Port D.



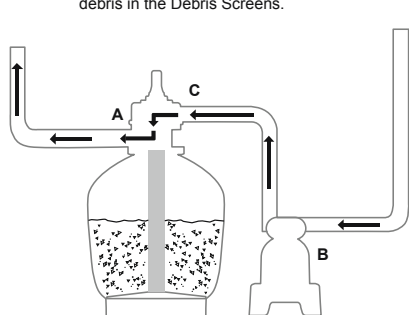
Rinse: This function for initial startup, cleaning, and sand bed leveling after Backwash; water is pumped downwards through the sand bed, up through the Collector Hub and deposited out of the valve Port D.



Drain: This function drains water from the pool; another filter bypass setting, water is pumped and deposited out of Port D, instead of returning it to the pool.



Circulate: This function circulates pool water by passing the sand filter; use this function if the filter is broken to collect debris in the Debris Screens.



NOTE:

- Be sure all provisions for wastewater disposal meet applicable local, state or national codes. Do not discharge water where it will cause flooding or damage.
- When the Control Valve is set to the Backwash, Rinse, or Drain position, water will discharge from Port D on the Control Valve.
- Do not switch on or operate the sand filter with the Control Valve set to the Closed function or it will seriously damage the sand filter.
- Do not set the Control Valve between two functions, or it will lead to leaking.
- To avoid water leakage, screw the Port D Cap onto the Control Valve Port D before operating the sand filter.

AIR RELEASE

Press down the control valve handle and wait until the water flow from Port D to release the air.

NOTE: It is important to repeat this operation every time you start the pump after winterizing, maintenance and backwashing the sand bed.

FIRST TIME USE INSTRUCTIONS

Backwash and Rinsing must be performed to prepare the pump for its first use and to wash the sand.

CAUTION: DO NOT DRY RUN THE SAND FILTER

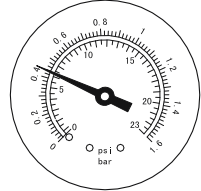
1. Press down on the Control Valve handle and rotate to the Backwash function.
2. Plug in and run the sand filter for 3-5 minutes, or until the water runs clear.
3. Switch off the sand filter and set the Control Valve to the Rinse function.
4. Switch on the sand filter and run the sand filter for 1 min. This circulates water backwards through the sand filter and drains water out Port D.
5. Switch off the sand filter. Set the Control Valve to the Closed function.
6. Top up pool water if required.



IMPORTANT: This procedure removes water from the pool, which you'll need to replace. Switch off the sand filter immediately if water levels near the pool's Inlet and Outlet valves.

1. Now the sand filter is ready for use. Set the Control Valve to the Filter function.

NOTE: To prevent the risk of electrical shock dry any excess water from yourself and the sand filter.
NOTE: The sand filter has now started its filtering cycle. Check that water is returning to the pool and take note of the filter pressure on Pressure Gauge. Generally, the recommended sand filter pressure is less than 0.45 Bar (6.5 PSI) when it is running.

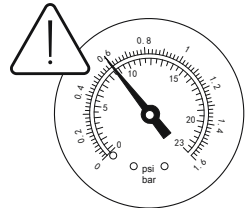


SAND FILTER MAINTENANCE

CAUTION: You must ensure the sand filter is switched off and unplugged before any maintenance begins or severe risk of injury or death exists. As dirt builds up in the sand filter, the pressure reading on Pressure Gauge will increase. When the Pressure Gauge is 0.45 Bar (6.5 PSI) or higher, or water flow to the pool is too low, it is time to clean the sand. To clean the sand bed, follow all instructions outlined previously in: **Backwash and Rinsing**.

NOTE: The Pressure Gauge is just used for measuring the water pressure, not used for precision measurement.

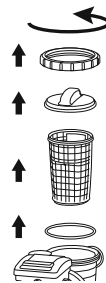
NOTE: We recommend you clean the sand bed once a month or less regularly depending on how often the pool is used. Do not clean the sand too frequently.



CLEANING THE STRAINER

1. Switch off the sand filter and set the Control Valve to the Closed function.
2. Replace the Debris Screens with Stopper Plugs to prevent water from escaping.
3. Remove the Strainer Cover by unscrewing it.
4. Take out the Strainer, remove any debris.
5. Put the Strainer back into position. Ensure the hole in the strainer is aligned.
6. Ensure the Seal Ring is in place. Secure the Strainer Cover back.
7. Remove the Stopper Plugs and insert the Debris Screens

NOTE: The Strainer must be emptied and cleaned periodically. A dirty or blocked strainer will reduce the performance of the sand filter.



LOWERING OR DRAINING POOL WATER

1. Switch off the sand filter and set Control Valve to the Drain function.
 2. Detach the Hose from the connection valve's Port A and sand filter Port A and attach to Port D.
- NOTE:** Remember to replace the Debris Screen with Stopper Plug to prevent water from escaping.
3. Switch on the sand filter to remove pool water.

WARNING: DO NOT DRY RUN THE SAND FILTER.

STORAGE

In areas that have freezing winter temperatures, pool equipment must be winterized to protect against damage. Allowing water to freeze will damage the sand filter and warranty.

1. Backwash the sand filter.
2. Drain the pool according to the pool owner's manual.
3. Unscrew the drain valve cap at the bottom of the tank and release the remaining water.
4. Disconnect the two Hoses from the pool and the sand filter.
5. Completely pour the sand out of the tank and dry all components.
6. Store the sand filter in a dry location out of child's reach.

TROUBLESHOOTING

Problems	Probable Causes	Solutions
Sand is flowing to the pool	<ul style="list-style-type: none"> - Sand is too small - Move the control valve from the backwash to the filter function without stop the sand filter - The level of the sand is too high - The skimmer is broken 	<ul style="list-style-type: none"> - Recommend 0.45 mm to 0.85 mm #20 silica sand - Stop the sand filter every time set the control valve - Check if the level of the sand is between the marked "MAX" and "MIN" on the hub - Replace the skimmer
No water flow	<ul style="list-style-type: none"> - Stopper plugs were not removed - Air was not released - The control valve is set to Closed - The strainer is blocked - Sand filter broken 	<ul style="list-style-type: none"> - Remove the stopper plugs and insert the debris screens - Release the air - Set to filter function - Clean the strainer - Call for service
Excessive filter pressure	<ul style="list-style-type: none"> - Dirty filter - Calcified sand bed - Insufficient backwashing - The pressure gauge is broken 	<ul style="list-style-type: none"> - Backwash - Inspect sand and change if necessary - Backwash until water runs clear - Replace the pressure gauge
Control Valve leaks from the port D	<ul style="list-style-type: none"> - Control Valve is set between two functions - The gasket is broken 	<ul style="list-style-type: none"> - Set to one function - Replace the gasket
Connectors leak	<ul style="list-style-type: none"> - Washer of the connectors not in place - Washer of the connectors broken - O-ring on the hose connection is broken - Loose Hoses 	<ul style="list-style-type: none"> - Reposition the washer - Replace the washer - Replace the o-ring - Tighten them



For support please visit us at:
bestwaycorp.com/support

©2023 Bestway Inflatables & Material Corp.

All rights reserved/Tous droits réservés/Todos los derechos reservados/Alle Rechte vorbehalten/Tutti i diritti riservati

Trademarks used in some countries under license from/

Marques utilisées dans certains pays sous la licence de/

Marcas comerciales utilizadas en algunos países bajo la licencia de/

Die Warenzeichen werden in einigen Ländern verwendet unter Lizenz der/

Marchi utilizzati in alcuni paesi concessi in licenza a

Bestway Inflatables & Material Corp., Shanghai, China

Manufactured, distributed and represented in the European Union by/

Fabriqués, distribués et représentés dans l'Union Européenne par/Fabricado, distribuido y representado en la Unión Europea por/

Hergestellt, vertrieben und in der Europäischen Union vertreten von/Prodotto, distribuito e rappresentato nell'Unione Europea da

Bestway Europe S.p.a., Via Resistenza, 5, 20098 San Giuliano Milanese (Milano), Italy

Distributed in Latin America by/Distribué en Amérique latine par/Distribuido en Latinoamérica por/Distribuido na América Latina por

Bestway Central & South America Ltda, Salar Ascotan 1282, Parque Enea, Pudahuel, Santiago, Chile

Distributed in Australia & New Zealand by **Bestway Australia Pty Ltd, Unit 2/98-104 Carnarvon St Silverwater, NSW 2128, Australia**

Tel: Australia: (+61) 2 9037 1388; New Zealand: 0800 142 101

Distributed in United Kingdom by **Bestway Corp UK Ltd, 8 Wentworth Road, Heathfield Industrial Estate, Newton Abbot, Devon, TQ12 6TL**

Exported by/Exporté par/Exportado por/Exportiert von/Esportato da

Bestway (Hong Kong) International Ltd./Bestway Enterprise Company Limited

Suite 713, 7/Floor, East Wing, Tsim Sha Tsui Centre, 66 Mody Road, Kowloon, Hong Kong

www.bestwaycorp.com