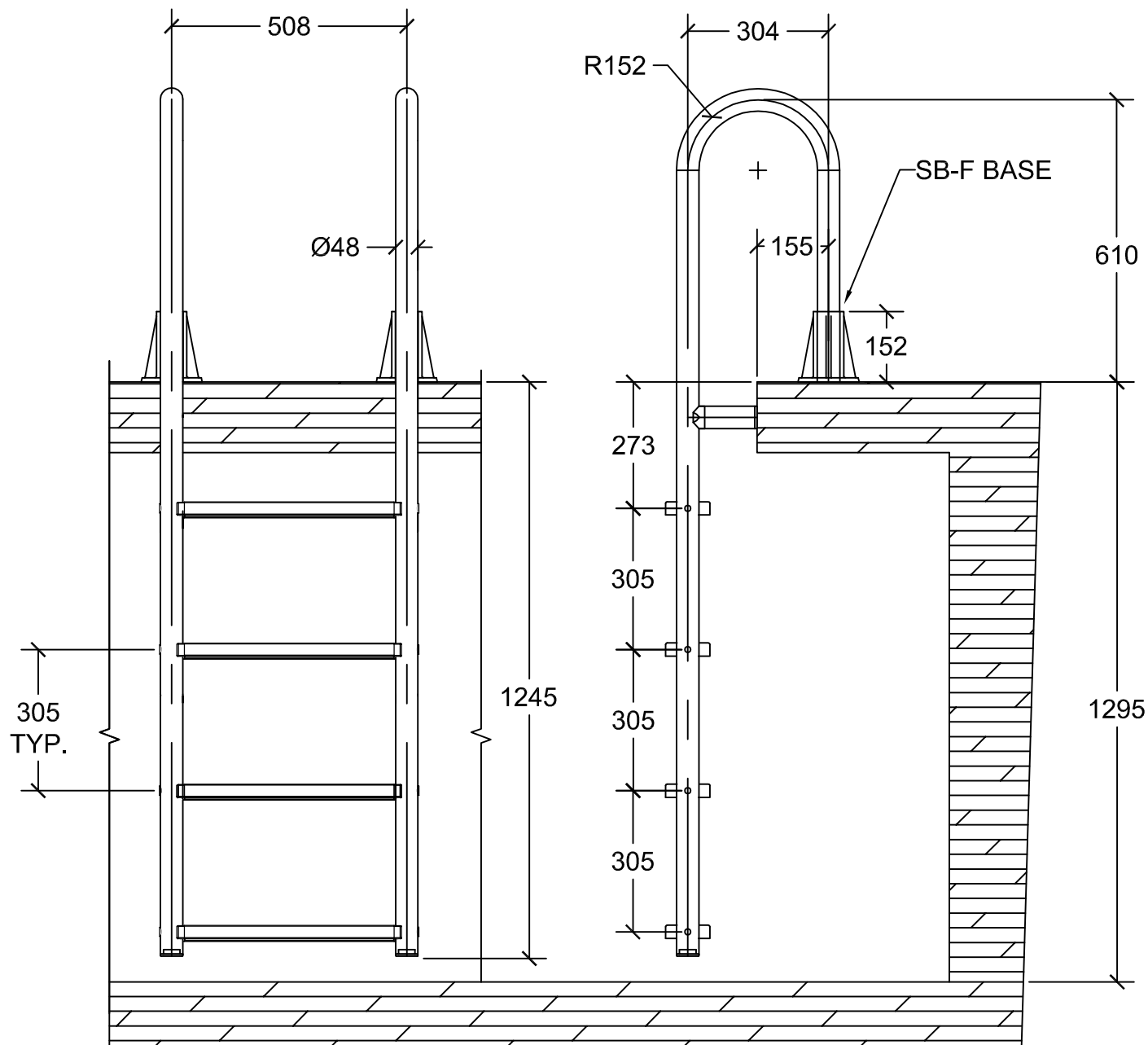


DL-212-4S DOCK LADDER

SÄFTRON POOLS AND SAFETY RAILS



ALL DIMENSIONS ARE IN mm

SÄFTRON BY AQUATIC ELEMENTS

Aquatic Elements P/L

2 Hayter Street

Currumbin QLD 4223

Phone: 07-5534 3136 | Fax: 07-3259-8519

Website: www.aquaticelements.com.au

SERIES: DL-212-4S

PREPARED BY: MATT FLUEHMANN

APPROVED BY:

PROJECT :

QTY:

COLOUR:

ISSUED : 03/23/2018

SCALE : NTS

DRAW. NO. DL-212-4S