



EVENGLOW



Model Numbers:
42-PCR-2DAW-E, 42-PCR-4W-E

WIFI LED LIGHT DRIVER

APPLICATION

Ideal for controlling your light system from your iPhone or Android device.

MULTI-COLOR REMOTE CONTROL TRANSFORMER WITH OEM CLONING AND WI-FI FOR POOLS & SPAS

Colour Touch Technology

- **Colour Control** – Control colour, speed, brightness and modes
- **Wireless Touch** – Wi-Fi Tablets and smartphones
- **Memory Recall** – Remembers last colour, speed and brightness
- **Auto Sync** – Automatic sync of your PAL lights every time



REMOTE CONTROL



16 MILLION COLOURS



BRIGHTNESS CONTROL



COLOUR MEMORY



APP REMOTE CONTROL



WIFI ENABLED



NETWORK CONTROL



TIME CONTROL

Using PAL Multi-Colour Transformer only

WIFI LED LIGHT DRIVER



PCR-2D/PCR-4 Driver

- 12V DC
- Wi-Fi enabled
- AS/NZ Approved

Wi-Fi Accessibility

- Connect transformer to your wifi network for control anywhere in the world

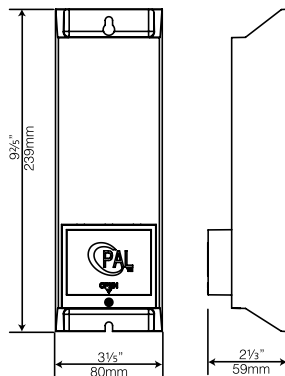
Light Control

- Color Touch technology with OEM cloning via Hayward, Jandy & Pentair Automation systems
- Control via Remote Handset or APP through smart devices**
- Color wheel control for instant and dynamic touch control
- Brightness control on PAL mode only

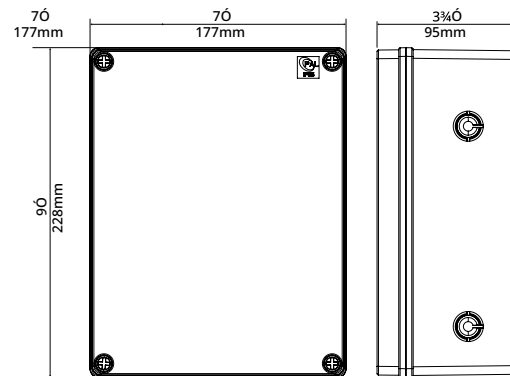
*NOTE: Phone not included in package

DIMENSIONS (mm)

PCR-2D DRIVER



PCR-4 DRIVER



PURCHASING INFORMATION

Model	Description
42-PCR-2DAW-E	PCR-2DA-E Power Supply for Evenglow LED Lights with Wi-Fi (max 2 lights)
42-PCR-4W-E	PCR-4W-E Power Supply for Evenglow LED Lights with Wi-Fi (max 7 lights)

GET THE APP

