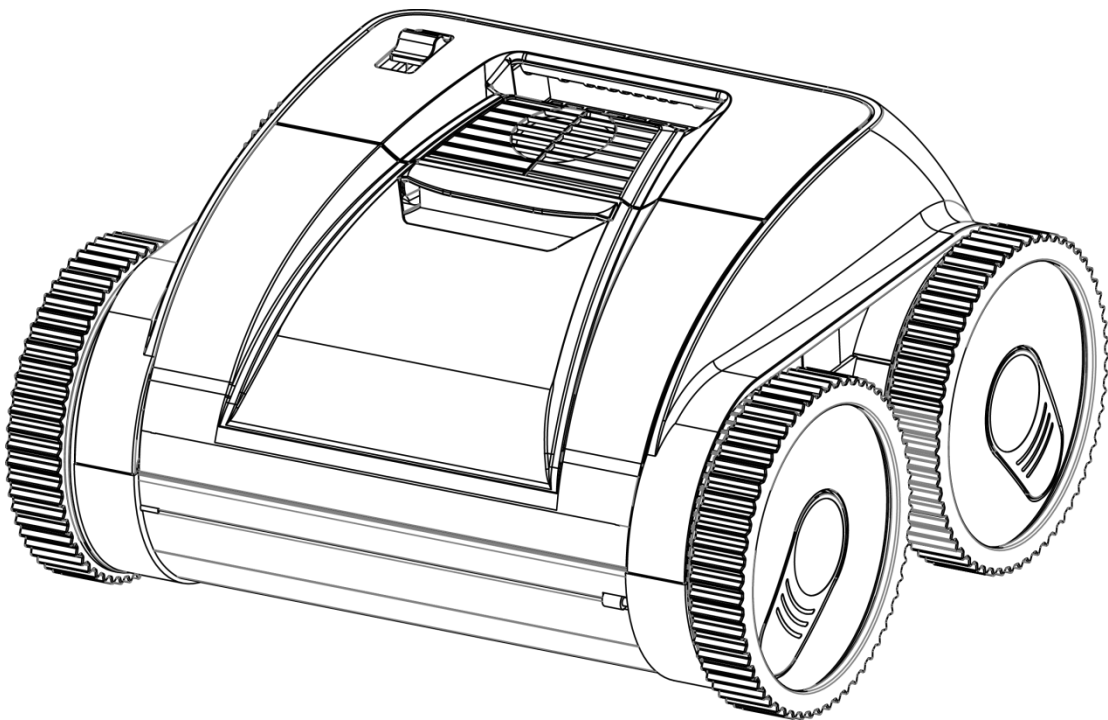




**ROBOTIC POOL CLEANER
(CORDLESS)
BUGSON**

Model: HJ3172



USER MANUAL

Important!

Thank you for purchasing the Bugson Cordless Robotic Pool Cleaner. Please read through the entire manual before using your new robotic pool cleaner. We are not held liable for any loss or injury caused by improper use.

READ AND FOLLOW ALL INSTRUCTIONS



CAUTION

Failure to comply with the following cautions could cause damage to pool cleaner or personal loss and injury.

1. The cleaner must be operated as specified.
2. To reduce the risk of injury, do not permit children to operate this cleaner.
3. Do not let anyone, especially small children, ride on the cleaner or use the cleaner as a toy.
4. Do not use the cleaner in your pool if the water temperature is above 35°C (95°F) or below 10°C (50°F).
5. Do not switch on the cleaner when it is out of water.
6. Do not enter pool while the cleaner is in water.
7. Always clean and wash the filter basket in the cleaner after each use.
8. In order to avoid any accident or damage, it is strongly recommended to remove the cleaner from the pool and to keep the cleaner indoor and at least 3m (appr. 10ft) from the edge of the pool for charging.
9. Do not charge the cleaner if the environment temperature is above 40°C (104°F) or below 10°C (50°F).
10. Connect charger to receptacle protected by a ground fault circuit interrupter (GFCI).
11. Dry the charging port after removing the cleaner out of water and make sure the cleaner is switched off (the indicator is off) if you want to charge the cleaner.
12. Do not over charge the cleaner which will reduce the battery life.
13. To reduce the risk of electrical shock, do not use the charger if the cord is damaged.
14. Never open power kit.

15. Use only identical replacement parts when servicing. Do not attempt repair of the cleaner and charger by yourself. Do not charge any other devices with this charger.
16. The cleaner should be charged if it needs to be stored for a long time (over 6 months) to maintain battery life.
17. The cleaner should be stored in a cool and ventilated place, away from direct sunshine.

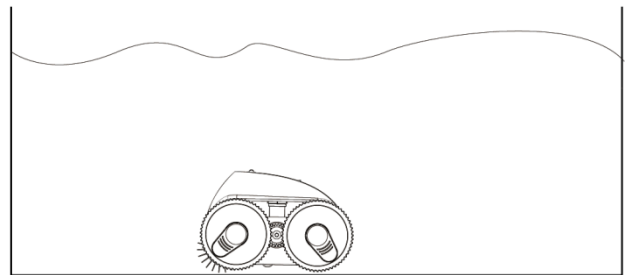
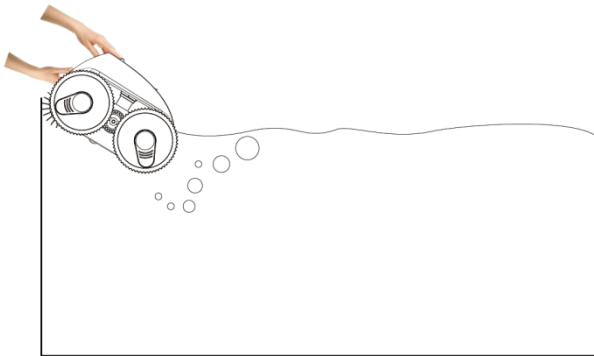
SAVE THESE INSTRUCTIONS

Contents

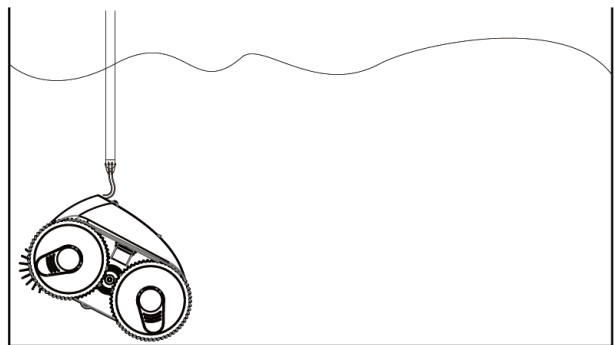
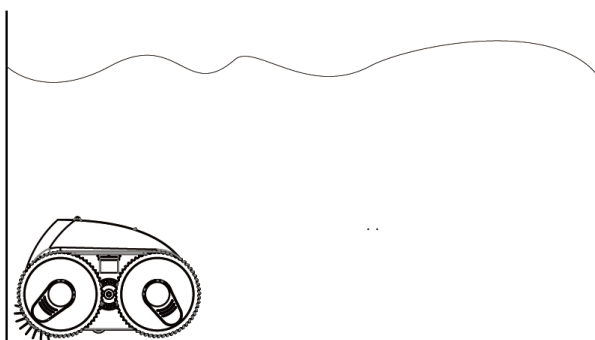
Important Precaution	2
Section 1. Attention.....	5
Section 2. Brief Introduction.....	6
Section 3. General Specification	6
Section 4. Operation.....	7
4.1 Switch button and indicator.....	7
4.2 How to charge	8
4.3 Filter cleaning.....	9
Section 6. Packing list	10
Section 7. Warranty.....	11

Section 1. Attention

1. Put into the pool with the cleaner bottom towards the wall. Hold the top handle and switch on the cleaner. The cleaner will start working after 20 seconds when emptying trapped air inside (make sure to empty the inside air in order to make the robot work well), then the cleaner can immerse into the pool floor.



2. The cleaner will move to pool edge when finish working, then use the hook to lift it out of the pool.



Section 2. Brief Introduction

The robotic pool cleaner HJ3172 is a new type of highly efficient and energy-saving swimming pool cleaning robot. It cleans the pool walls and bottom automatically without replacing the pool water.

It is totally environmental-friendly.

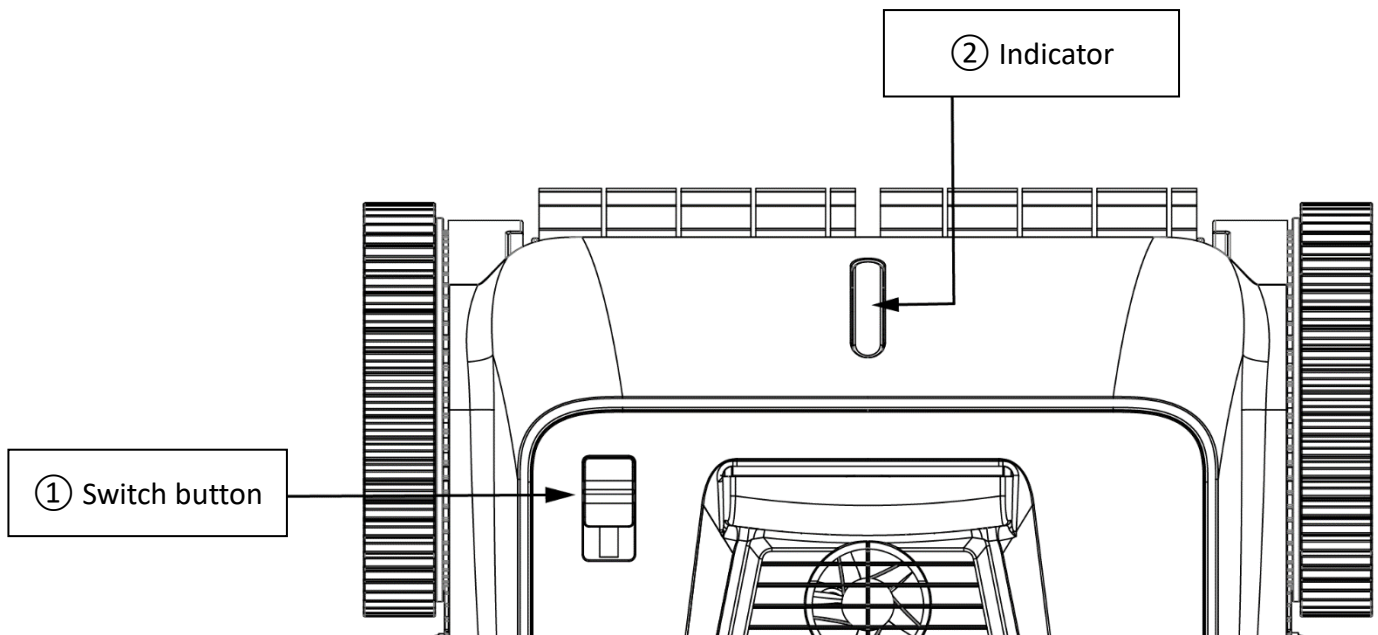
For safe operation, the cleaner is powered by a rechargeable lithium battery (12.1V, 8.6Ah).

Section 3. General Specification

Rated input voltage of charger	100VAC-240VAC
Rated input frequency of charger	50Hz/60Hz
Max. charging voltage	12.6VAC
Charging current	1.8A
Running time	max. 90min
Flow rate	max. 10m ³ /h (appr. 2642gal/h)
Filter density	180μm
Running speed	max. 11m/min (appr. 36ft/min)
IP Grade	IPX8
Max. water depth	2m (appr. 6.6ft)
Working temperature	10°C (50°F) - 35°C (95°F)
Charging temperature	10°C (50°F) - 40°C (104°F)

Section 4. Operation

4.1 Switch button and indicator



Item	Function	Description
①	Switch to power on/off	Push the button to ON to power on the cleaner; Push the button to OFF to power off the cleaner
②	Indicator	1. Blue light is steady on: power on 2. Green light flashes: the cleaner is working 3. Yellow light flashes: low battery and start to self-parking 4. Yellow light is steady on: self-parking finished

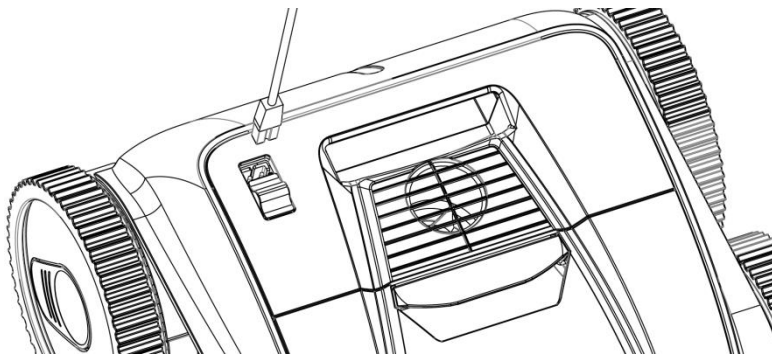
4.1.2

- Pool cleaner run time (duration) of one cycle when the battery is fully charged: 1.5hr.
- The climbing mode is “single front climbing’ meaning the front side with the indicator will climb. The opposite side does not climb.
- At start up, the cleaner detect/calculate the pool size and will then start the cleaning cycle.

4.2 How to charge

4.2.1 Remove the cleaner from the pool

- ① Switch off (No indicator flashes) the cleaner
- ② Charge the cleaner indoor and at least 3m (appr. 10ft) from the edge of the pool for charging.
- ③ Red light indicates the battery is being charged.
- ④ Green light indicates the charging is finished.



4.2.2 Charger indicator

Colour & Status of indicator	Charging status
Green light is steady on	Waiting for charging or battery not plugged or charging finished
Red light is steady on	The battery is being charged
Red light flashes	Low battery or battery damaged

4.3 Filter cleaning

4.3.1 Open the top cover: Put the robot out of the pool and open the top cover (Figure 4-1), the filter basket is located as shown in Figure 4-2.

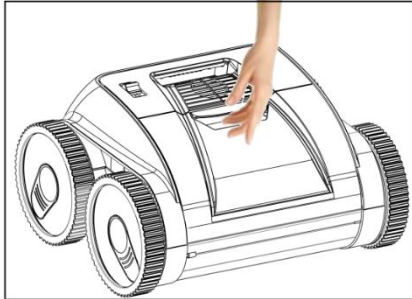


Figure 4-1

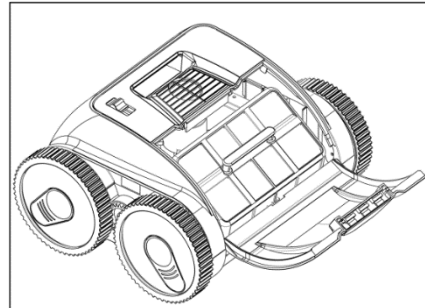


Figure 4-2

4.3.2 Take out the filter basket (Figure 4-3)

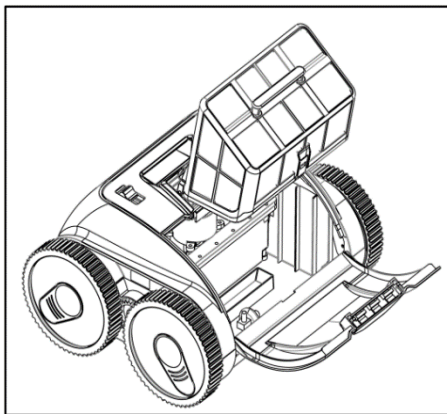


Figure 4-3

4.3.3 Wash filter basket (Figure 4-4)

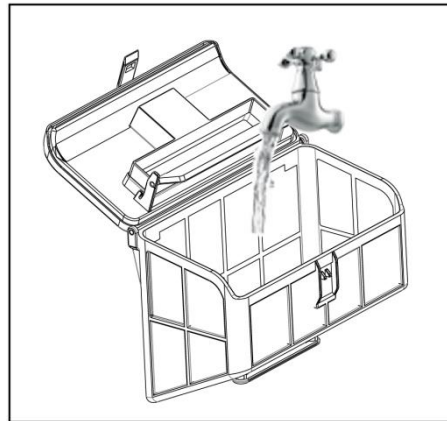


Figure 4-4

4.3.4 Re-install the filter basket in reverse steps

Section 6. Packing list

Item	Description	Name	Model	QTY (pc)	Remark
1	Cleaner	Cleaner	HJ3172	1	In carton
2		Charger		1	In plastic bag
3		User manual		1	In plastic bag
4		Hook		1	In plastic bag

Section 7. Warranty

This product has passed all quality control and safety tests, conducted by the technical department of the manufacturer. If the product fails due to manufacturer defects, please contact the distributor.

Warranty information:

1. The warranty is covered for 24 months from the date of its original purchase.
2. This warranty is void if the product has been altered, misused.
3. The warranty extends only to manufacturing defects and does not cover any damage resulting from mishandling of the product by the owner, or damage resulting from chemical, fire, poison or liquid, natural disaster; or from damage caused by a third party, person, object and beyond.
4. The sales invoice must be presented for any claim or repair during the warranty period.

Please contact your local dealer for any warranty issues.

