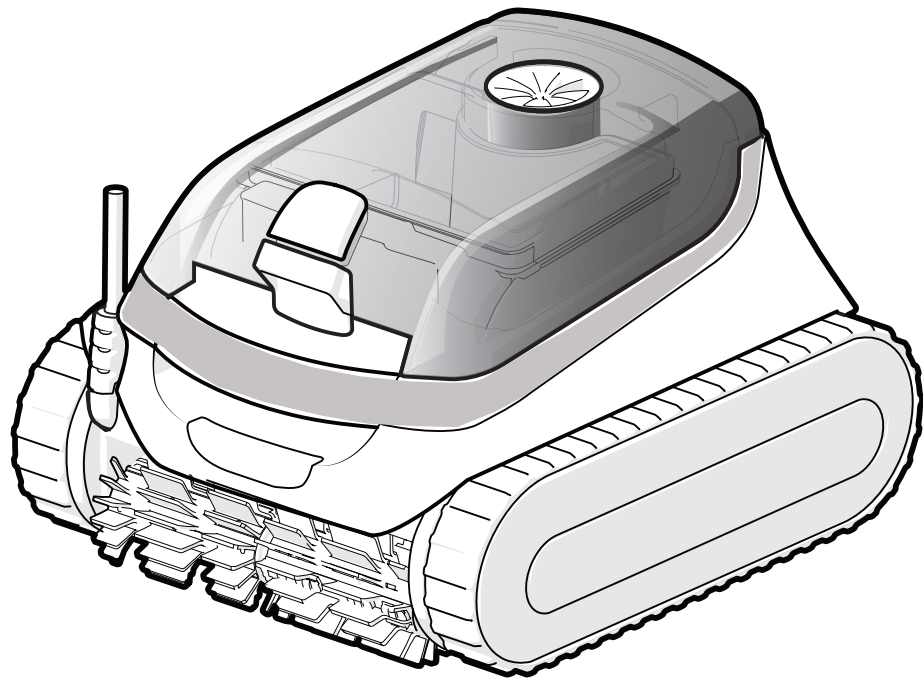


ASTRALPOOL



OWNER'S MANUAL



QB600 / QB800 ROBOTIC POOL CLEANER

TYPE EN15--

WARNING

FOR YOUR SAFETY - For anything other than the routine cleaning and maintenance described in this manual, this product must be serviced by a pool technician who is licensed and qualified in pool equipment by the jurisdiction in which the product will be installed where such state or local requirements exist. In the event no such state or local requirement exists, the maintainer must be a professional with sufficient experience in pool equipment installation and maintenance so that all of the instructions in this manual can be followed exactly. Improper installation and/or operation may void the warranty.

TABLE OF CONTENTS

Section 1. Important Safety Instructions.....	4	Section 5. Storage & Maintenance.....	11
Section 2. Cleaner Specifications	5	5.1 Cord Tangling	11
Section 3. Assembly.....	6	5.2 Clean the Filter Canister.....	12
3.1 Contents	6	5.3 Store the Cleaner When Not in Use	13
3.2 Assemble the Transport Caddy	6	5.4 Replacing Wear Parts	14
3.3 Attach the Control Unit to the Caddy	7	Section 6. Troubleshooting.....	16
3.4 Connect to a Power Source	8	6.1 Control Unit Status Indicator Lights	16
Section 4. General Cleaner Operation.....	9	6.2 General Troubleshooting.....	17
4.1 Install and Submerge the Cleaner.....	9	Section 7. Conformity	18
4.2 Cleaner Control Unit	10		
4.3 Start / Stop Cleaning.....	11		
4.4 Elevate System	11		

Section 1. Important Safety Instructions

READ AND FOLLOW ALL INSTRUCTIONS

Congratulations on purchasing the AstralPool Robotic Cleaner. Please read through the entire manual before installing your new robotic pool cleaner. Your cleaner must be installed and operated as specified.

⚠ WARNING

Failure to comply with the following warnings can increase risk of fire or electrocution which can result in property damage and serious injury, including loss of life.

PREVENT ELECTRICAL SHOCK

To reduce risk of electrical shock:

- The cleaner is to be installed in accordance with the relevant requirements of the Australian wiring rules AS/NZS 3000. Also refer to the installation instructions relating to the swimming pool equipment for which the cleaner will be an integral part. The cleaner is to be supplied through a Residual Current Device (RCD) with a rated residual operating current of 30mA.
- Do not enter pool while the robotic cleaner is in water.
- Do not bury cord. Locate cord so as to prevent it from being damaged by lawn mowers, hedge trimmers and other equipment.
- To reduce the risk of electrical shock, do not use the robotic cleaner or control unit if the cord is worn or damaged. Contact AstralPool Consumer Care 1300 186 875 for Australia or 0800 807 665 for New Zealand immediately for proper servicing and replacement of the damaged cord.
- Double insulation—For continued protection against possible electric shock, use only identical replacement parts when servicing. Do not attempt repair of the robotic cleaner, control unit, power cord, or floating cable.
- Use only the power supply provided with the product.
- NEVER OPEN CONTROL UNIT.
- DO NOT USE AN EXTENSION CORD TO CONNECT THE UNIT TO ELECTRIC SUPPLY; PROVIDE A PROPERLY LOCATED APPROVED ELECTRICAL OUTLET. THE CONTROL UNIT SHOULD BE PLACED NEAR THE APPROVED RECEPTACLE BOX.

PREVENT CHILD INJURY AND DROWNING

- To reduce the risk of injury, do not permit children or persons with reduced physical, sensory or mental capabilities, or lack of experience and knowledge to operate this product.
- Do not let anyone, especially small children, sit, step, lean, or climb on any equipment installed as part of your pool's operational system.

⚠ CAUTION

Failure to comply with the following warnings could cause damage to pool equipment or personal injury.

- The robotic cleaner must be installed and operated as specified.
- This product is intended for use with permanently-installed pools. Do not use with storable pools. A permanently-installed pool is constructed in or on the ground or in a building such that it cannot be readily disassembled for storage. A storable pool is constructed so that it is capable of being readily disassembled for storage and reassembled to its original integrity.
- Clean the filter canister in the cleaner after each use.
- Do not use the product in your pool if the water temperature is above 35° C (95° F) or below 13° C (55° F).


USE OF THE ROBOTIC CLEANER IN A VINYL LINER POOL

Certain vinyl liner patterns are particularly susceptible to rapid surface wear or pattern removal caused by objects coming into contact with the vinyl surface, including pool brushes, pool toys, floats, fountains, chlorine dispensers, and automatic pool cleaners. Some vinyl liner patterns can be seriously scratched or abraded simply by rubbing the surface with a pool brush. Ink from the pattern can also rub off during the installation process or when it comes into contact with objects in the pool. AstralPool Group Ltd is not responsible for, and the Limited Warranty does not cover, pattern removal, abrasion or markings on vinyl liners.

SAVE THESE INSTRUCTIONS

Section 2. Cleaner Specifications

The general specifications for the cleaner are as follows:

Control box supply voltage 	220-240 VAC, 50 Hz; short circuit-proof safety isolating type
Supply voltage	30 V DC
Installed load	150 W max
Cable length	15M
Cleaner size (WxDxH)	43 x 48 x 27 cm
Weight of Cleaner	9.5 kg
Packed weight	19 kg (QB800) 14 kg (QB600)
Filtration	Dual filtration 150/60 micron
Cycle lengths	Variable programming.

The cleaner is a double-insulated product. A double-insulated electrical appliance is one which has been designed in such a way that it does not require a safety connection to ground. The basic requirement for double-insulation is that no single failure can result in dangerous voltage becoming exposed so that it might cause an electric shock and that this is achieved without relying on an earthed (grounded) metal casing. This is achieved by having two (2) layers of insulating material surrounding live parts or by using reinforced insulation. Therefore, devices having double-insulated construction, such as this cleaner, do not utilize a grounded (three-prong) cord/plug.

Section 3. Trolley Assembly (QB800)

3.1 Contents

The packaging should contain the following items:

- Cleaner and floating cable with swivel
- Control unit
- Manual, Quick Start Guide, and Warranty Card
- Transport and storage caddy components (depending on model):
 - a. handle frame
 - b. support blocks (x 2)
 - c. wheels (x 2)
 - d. wheel locking clips (x 2)
 - e. wheel axle / hubcap (x 2)
 - f. base unit
 - g. cleaner hook
 - h. caddy handle

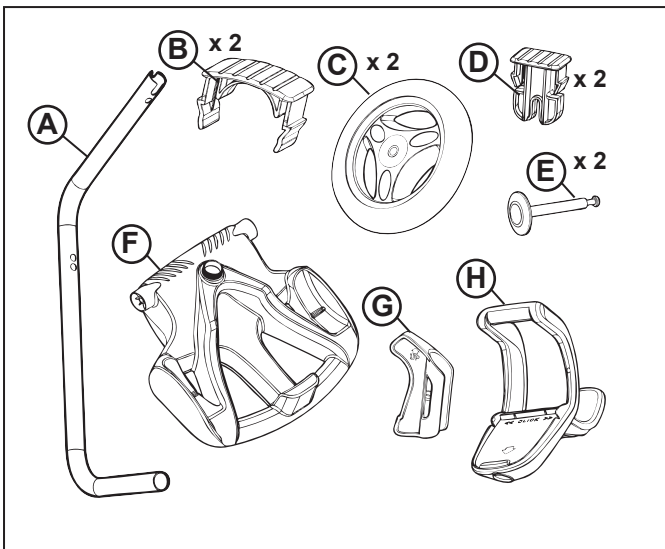


Figure 1. Transport Caddy Assembly Components

When unpacking the cleaner and its components:

- Check to make sure each component is in the box.
- Check cleaner and components for damage during transport.
- If there are any missing parts or damage, contact Technical Support at 1300 186 875 for Australia or 0800 807 665 for New Zealand.

3.2 Assemble the Transport Caddy

1. Unscrew the handnut from the base.

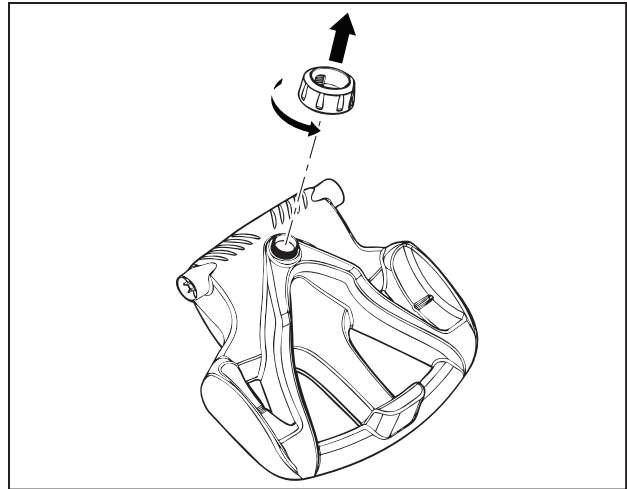


Figure 2. Remove Handnut from Base Unit

2. Insert the metal handle frame tubing into the base with notch end at the top, then rotate so the bends are away from you.
3. Push base down so the metal handle frame is seated in the recess on the underside of the base.

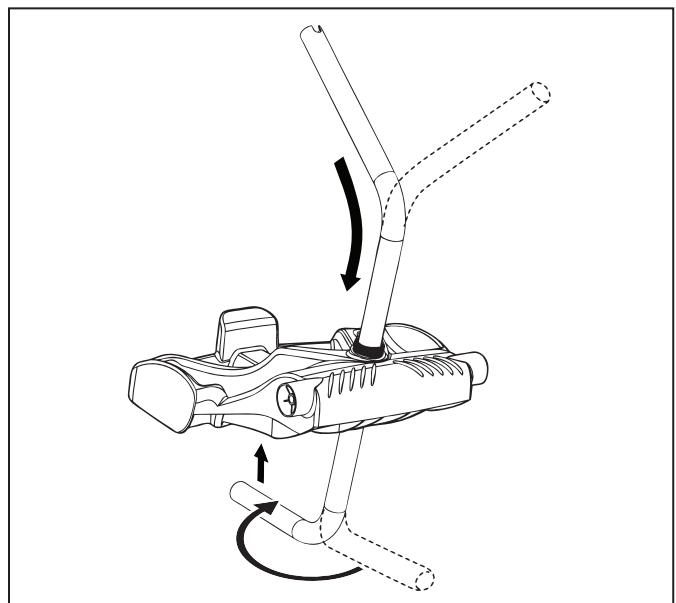


Figure 3. Connect Metal Frame to Base Unit

4. Slide the handnut over the tube and twist to tighten onto base unit.

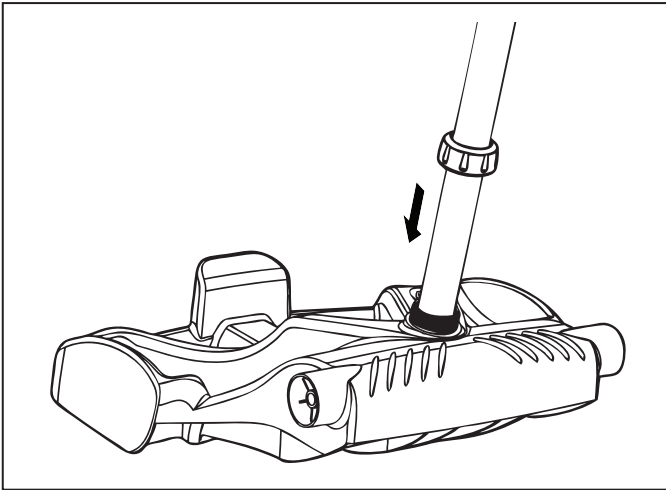


Figure 4. Twist Handnut to Secure Frame

5. Snap two (2) support blocks into place.
6. Slide axle and hubcap piece through center of wheel and attach to base unit. Snap locking clip into place to secure wheel. Repeat to attach both wheels.

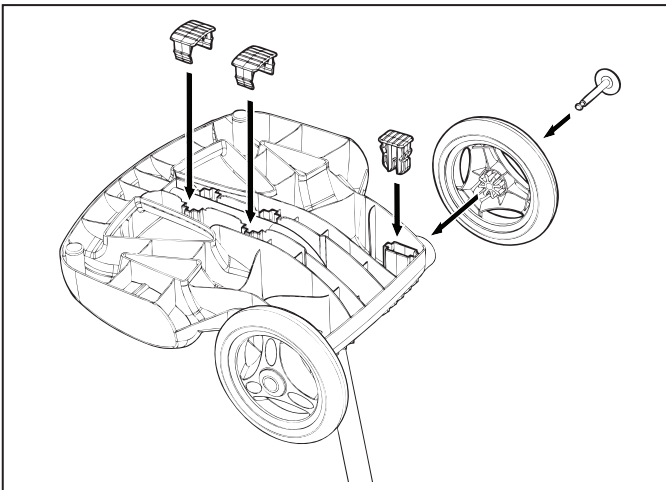


Figure 5. Snap in Support Blocks and Attach Wheels

7. Slide the control unit base / caddy handle attachment down over the metal tubing until it snaps into place.

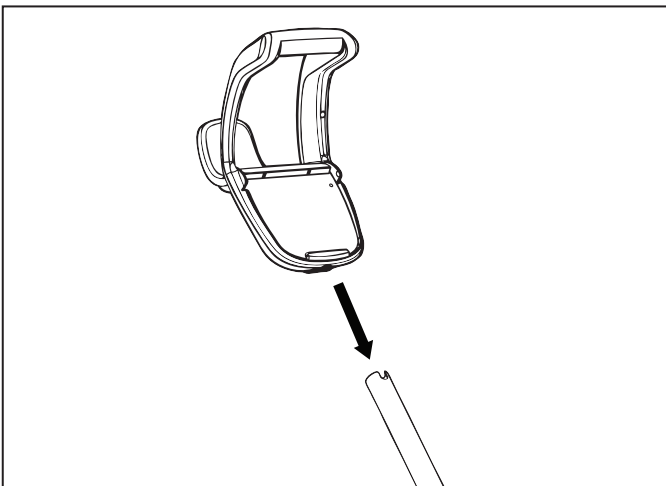


Figure 6. Attach Caddy Handle

8. Align cleaner hook pins with the top holes in the handle tube and snap into place.

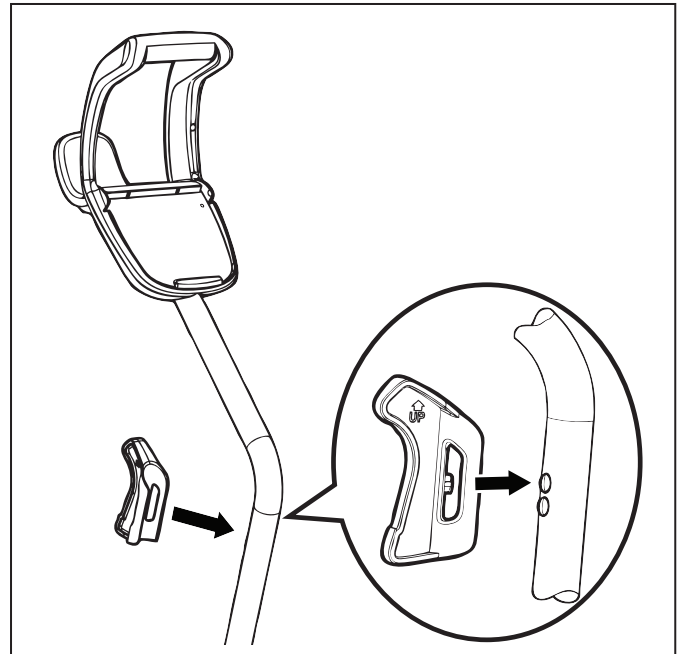


Figure 7. Snap Cleaner Hook into Place

3.3 Attach the Control Unit to the Caddy

1. Align the bottom of the control unit with the notch at bottom of the control unit hook on the caddy.

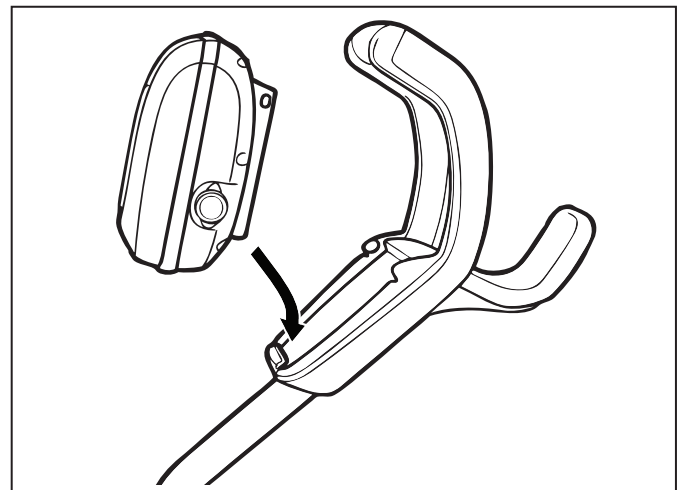


Figure 8. Align Control Unit with Caddy Hook

- Press control unit onto the caddy hook until it snaps and locks into position.

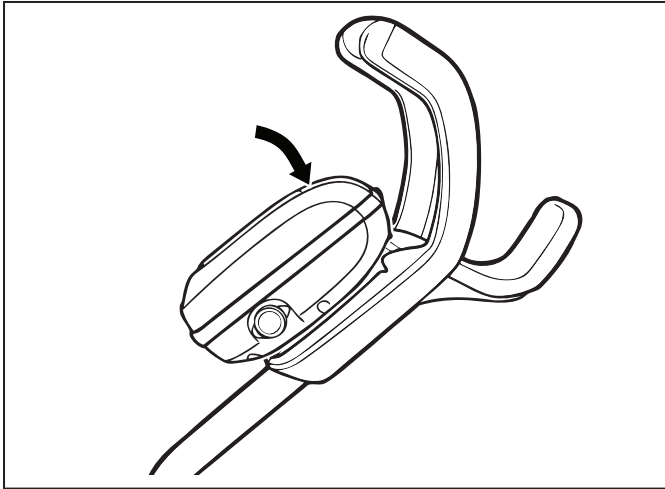


Figure 9. Attach the Control Unit onto Caddy

3.4 Connect to a Power Source

⚠ WARNING

Failure to comply with the following warnings can increase risk of fire or electrocution which can result in property damage and serious injury, including loss of life.

PREVENT ELECTRICAL SHOCK

- Keep the control unit at least 3.5 m from the edge of the pool.
- The cleaner is to be installed in accordance with the relevant requirements of the Australian wiring rules AS/NZS 3000. Also refer to the installation instructions relating to the swimming pool equipment for which the cleaner will be an integral part. The cleaner is to be supplied through a Residual Current Device (RCD) with a rated residual operating current of 30mA.
- Do not use an extension cord to connect the control unit.
- Do not allow anyone to swim while the cleaner is in the pool.
- The control unit is water-resistant, not waterproof. In order to prevent electrocution, never submerge the control unit or leave exposed to inclement weather.

- Unscrew the protective cap for the floating cable from the side of the control unit by turning counter-clockwise.
- Grip the notched end of the floating power cable, insert into the control unit, and turn clockwise to tighten.

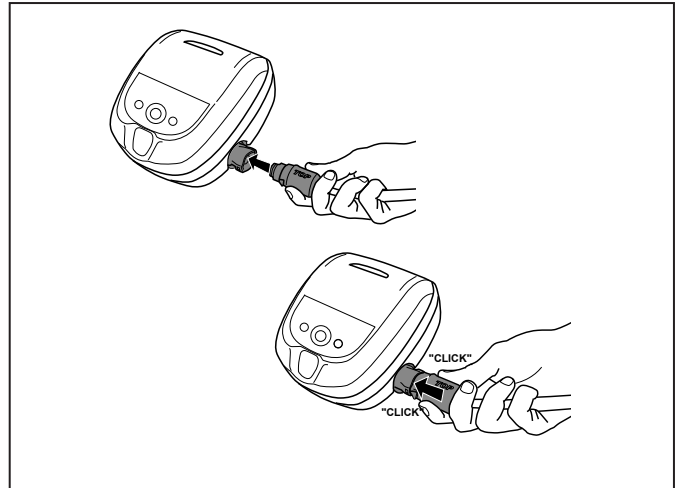


Figure 10. Remove Protective Cap and Connect Power Cable

Section 4. General Cleaner Operation

⚠ CAUTION

To prevent damage to the cleaner, be sure to adhere to the following guidelines:

- Remove the cleaner from the pool after each cleaning cycle is completed.
- Store on the caddy out of direct sunlight or inclement weather.
- Never remove the cleaner from the pool by the floating cable. Always use the Elevate System to remove cleaner from the pool.
- Take additional care when lifting the cleaner out of the pool. It becomes heavier when filled with water.
- Always remove the cleaner from pool when super chlorinating or adding acid.
- Do not handle cleaner while it is in operation.

IMPORTANT

- Always make sure the cleaner head is fully submerged before you begin operation.
- Clean the filter canister after each cleaning cycle.

- Do not leave your cleaner in the pool on a permanent basis.
- At the end of each cleaning cycle, remove the cleaner from the pool.
- Start at the cleaner head and untangle any coils in the cable before storing the cleaner.

The robotic cleaner includes a safety feature that automatically stops the cleaner if it is powered on but not submerged in water. For pools equipped with a beach area, this safety feature is programmed to drive the cleaner in reverse and back into the pool when the impeller is out of the water.

AstralPool recommends not exceeding 3 cleaning cycles per week.

4.1 Install and Submerge the Cleaner

1. With the control box plugged into a power outlet, spread the floating cable across the pool deck until you reach the middle of the pool length.
2. At the center point, submerge the cleaner in the pool and hold in the vertical position to release any air trapped inside.

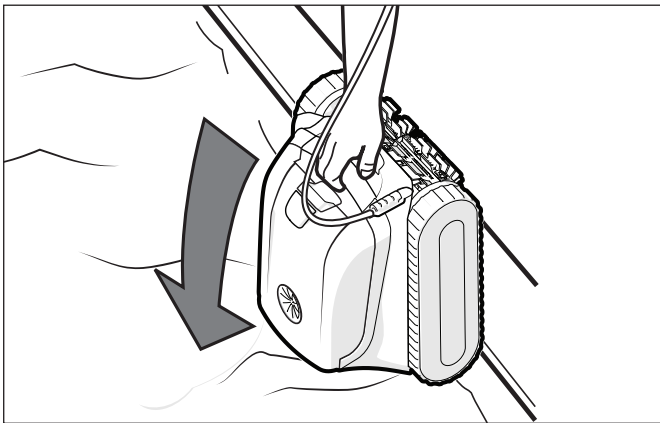


Figure 11. Submerge Cleaner Vertically

3. Ensure the unit sinks to the bottom of the pool and does not float.

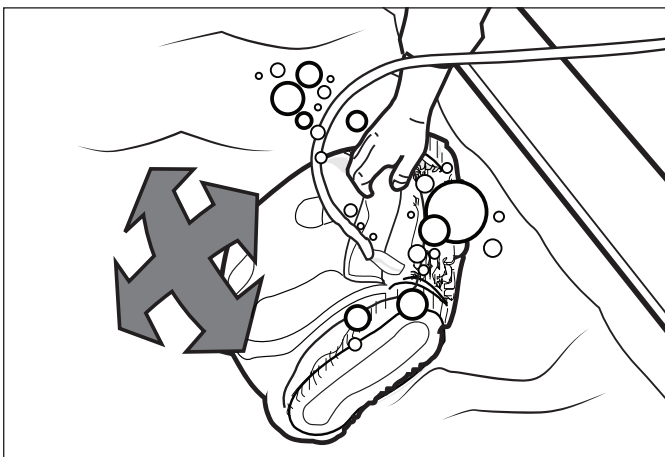


Figure 12. Sink Cleaner to the Bottom of the Pool

4. Place only enough floating cable in the water to reach the farthest end of your pool from the central point. Spread out the floating cable ensuring there are no kinks or coils in the cable.

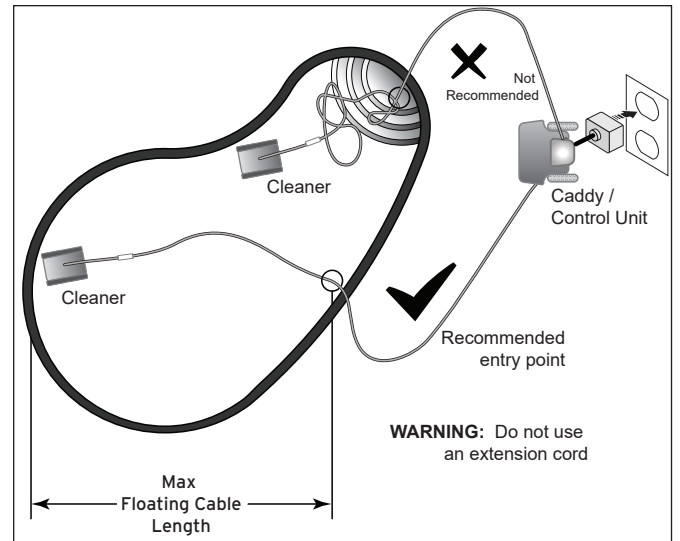


Figure 13. Pool Entry Point for Optimal Patterning

4.2 Cleaner Control Unit

The control unit can be used to initiate all basic cleaning features.



Button Functions



Start/Stop cleaning



Select cleaning mode:



Floor Only
(1h 15 min)
Cleans Floor only




Floor/Walls/Waterline
(2h 30 min)
Cleans the floor, walls and
waterline of the pool





Elevate System. Remove cleaner
from the pool


4.3 Start / Stop Cleaning

The factory default cleaning mode is Floor/Walls/
Waterline.

Use  to change cleaning surface setting. Toggle
between modes:

 Floor Only
(1h 15 min) Floor only


 Floor/Walls/Waterline
(2h 30 min)
Floor, walls, waterline

With the cleaner submerged in the water,
press  to begin operation.


Press again to interrupt and cancel an in-progress
cleaning cycle.

4.4 Elevate System

The Elevate System is designed to assist in retrieving
the robot from the pool. The Elevate System can be
activated at any time during or after a cleaning cycle
and the current cycle will be canceled..

1. Press  to begin the automated procedure to
bring the cleaner to the wall.

NOTE: To stop the procedure at any time, press
and release the button again.

2. Next, press and HOLD  to rotate the cleaner.
3. Once the cleaner is facing the wall of your choice for
retrieval, release the button.
4. Cleaner will drive forward and up the wall it is facing.
It will wait at the water line to be retrieved.
5. When in reach, remove the cleaner from the pool
using the handle. The cleaner will quickly expel water
to allow for lighter, easier removal.

NOTE: Never remove the cleaner from the pool by the
floating cable.

Section 5. Storage & Maintenance

WARNING

To avoid electric shock and other hazards which
could result in permanent injury or death,
disconnect (unplug) the cleaner from the power
source before performing any cleaning and
maintenance.

5.1 Cord Tangling

Tangling can occur more frequently when the
cleaner is not attended to after each cleaning cycle.
The tangle-reducing swivel, in addition to proper
installation, general maintenance and the following
troubleshooting steps can help to avoid cable
challenges.

IMPORTANT

Cleaner power cable may become tangled if
correct procedure is not followed after each
cleaning cycle.

NOTE: For reduced tangling, the floating cable should
enter the water near the middle of the pool length.
Only place enough cable in the water to reach the
farthest point in the pool.

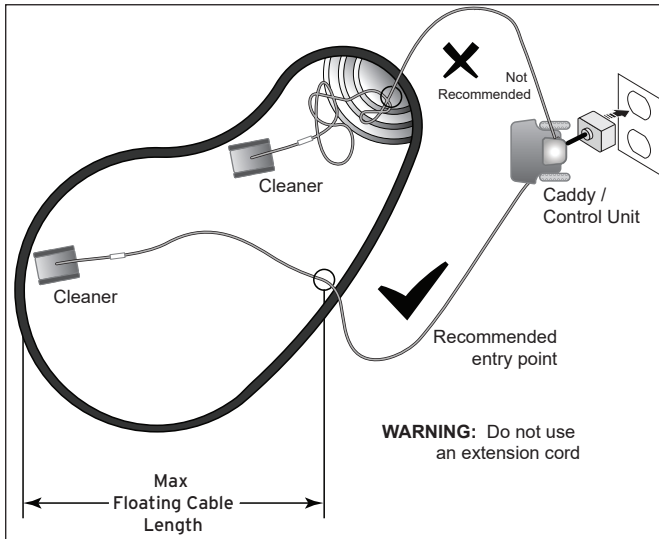


Figure 14. Pool Entry Point for Reduced Tangling

If tangling occurs, follow these steps:

1. Remove the cleaner from the pool using the Elevate System. When the cleaner is within arm's reach, use the handle to remove from the water. Never remove the from the pool by the floating cable or swivel.
2. Hold the cleaner vertically to drain.



Figure 15. Keep Cleaner Vertical to Drain Water

3. Unplug power to the cleaner at the control box.

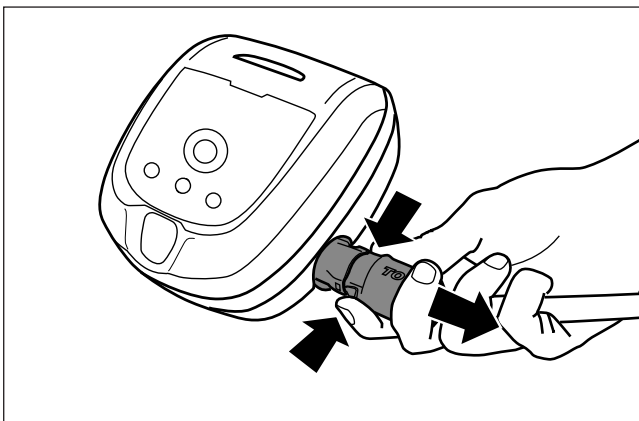


Figure 16. Unplug

4. Remove the cleaner from the pool and untangle all kinks and coils in the power cable. Start at the cleaner head. Lay the cable in the sun to loosen any tangling memory.

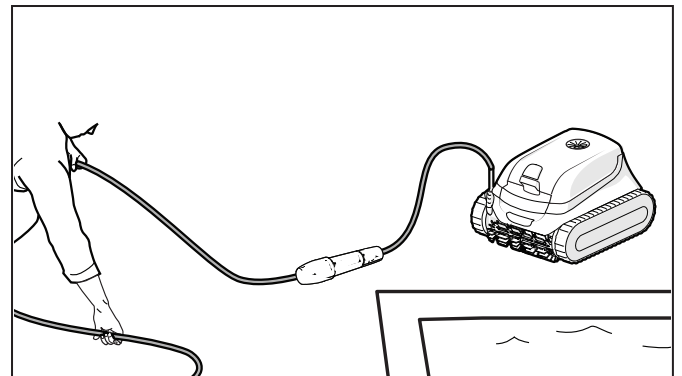


Figure 17. Untangle the Power Cable

5.2 Clean the Filter Canister

The filter canister should be cleaned at the end of each cycle.

1. Remove the cleaner from the water using the Elevate System and let the remaining water drain.
2. Set the unit on a flat surface.
3. Lift the cover lock into a vertical position.

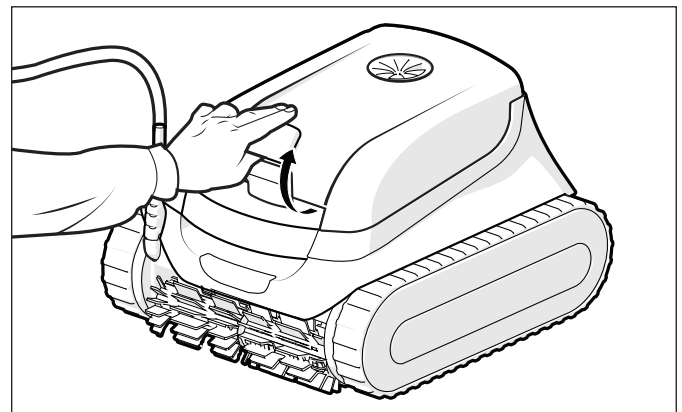


Figure 18. Lift the Cleaner Cover

4. Remove the filter canister assembly from the cleaner body.

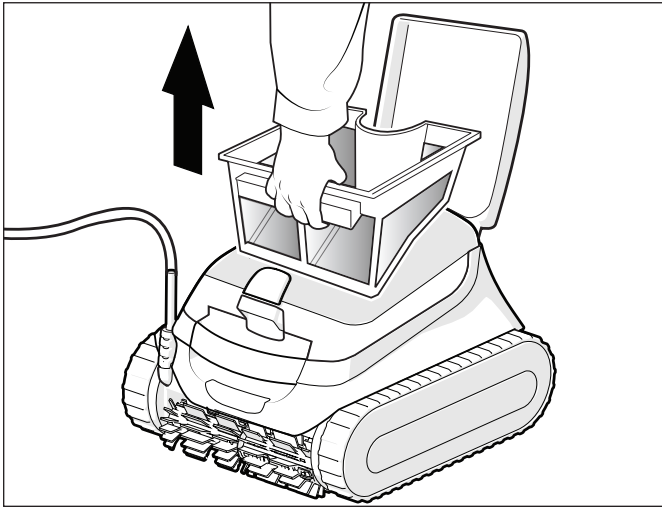


Figure 19. Remove the Filter Canister

5. Separate the two filter canisters.

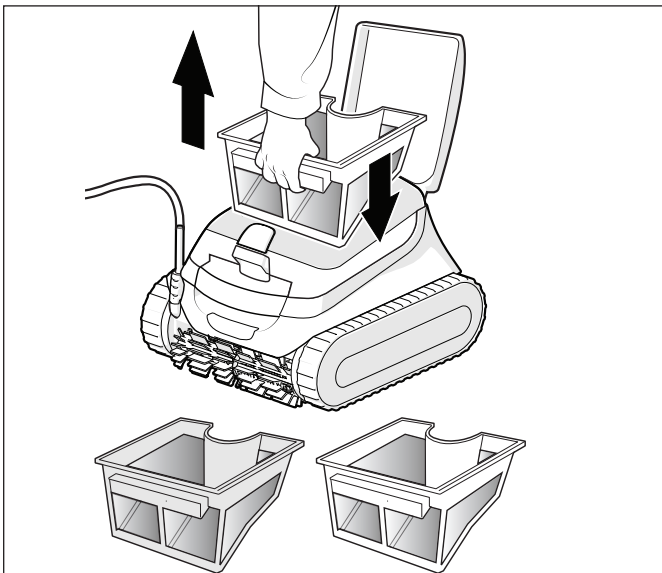


Figure 20. Separate Filter Canisters

6. Empty all debris from the filter canisters, then rinse canisters, the filter support and the cleaner using a hose.

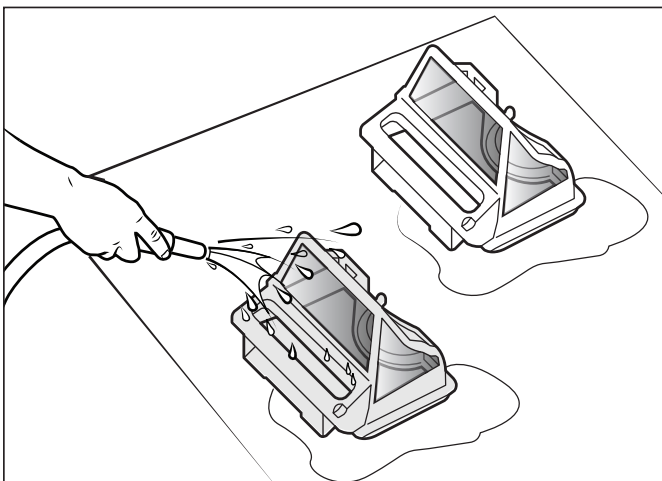


Figure 21. Wash the Filter Canisters

NOTE: Periodically, remove the filter canister and clean thoroughly with soapy water and a soft bristle brush.

5.3 Store the Cleaner When Not in Use

The cleaner must be cleaned regularly using slightly soapy clean water. Do not use solvents such as trichlorethylene or its equivalent. Rinse the cleaner generously using clean water. Do not let your cleaner dry in direct sunlight near the pool. The cleaner should be stored on its caddy so that it dries quickly.

1. Disconnect cleaner from the power source.
2. Starting at the cleaner head, remove all coils and tangles from the cable. Lay the cable in the sun to loosen any tangling memory.
3. Place the rear wheels on the caddy and position the cleaner vertically on the caddy base.
4. Disconnect the cable from the control box. Replace the protective cap on the control box.
5. Loosely coil the power cable starting at the cleaner and moving toward the connection point at control box. Store the cable by wrapping it around the hook located on the front of the caddy.

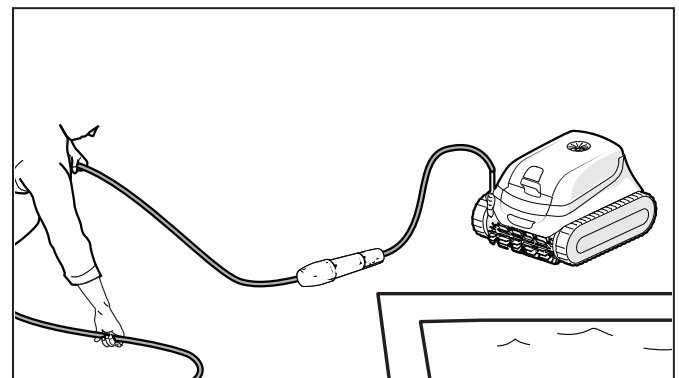


Figure 22. Untangle the Floating cable

5.4 Replacing Wear Parts

5.4.1 Replacing Brushes

The cleaner is fitted with PVC brushes with a "wear" indicator.

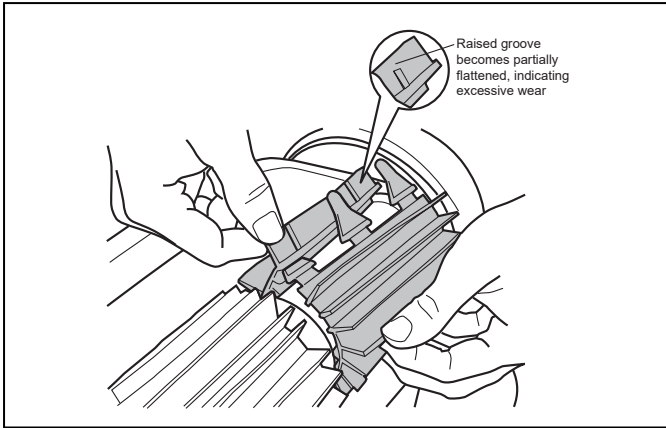


Figure 23. Worn Brush Indicator

To maintain cleaner performance at its best you need to replace the brushes as soon as one of the wear indicators is reached (even if the blade wear is not even). It is recommended that you replace the brushes when the rubber is worn down to the top of the wear indicator (or every two years, whichever comes first).

To replace a worn brush:

1. Lift the cleaner to a vertical position so that the handle is up.

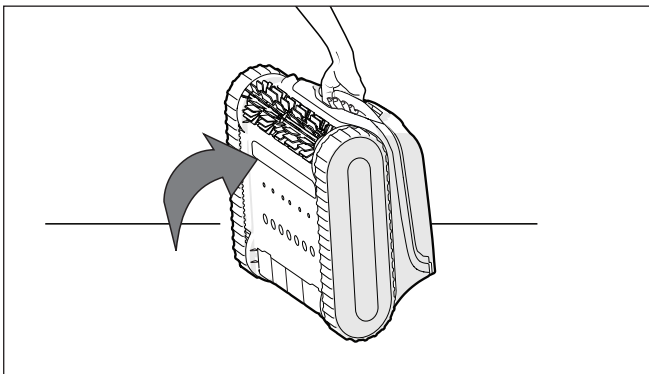


Figure 24. Cleaner in Upright Position

2. Separate the edges of the brush and undo the tabs. Remove the worn brushes.

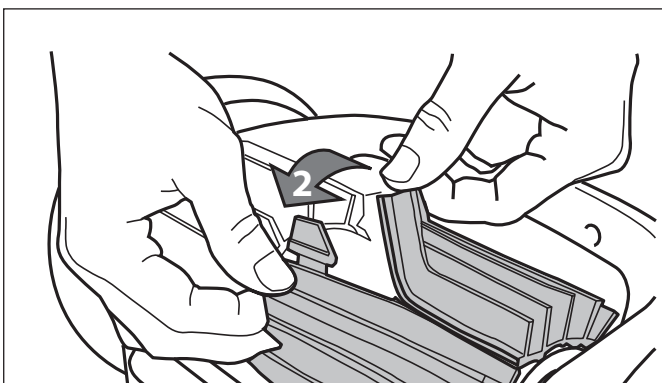


Figure 25. Undo the Tabs of the Brush

3. To install the new brush, position the new brush on the roller with the cleaning blades facing away from the roller.

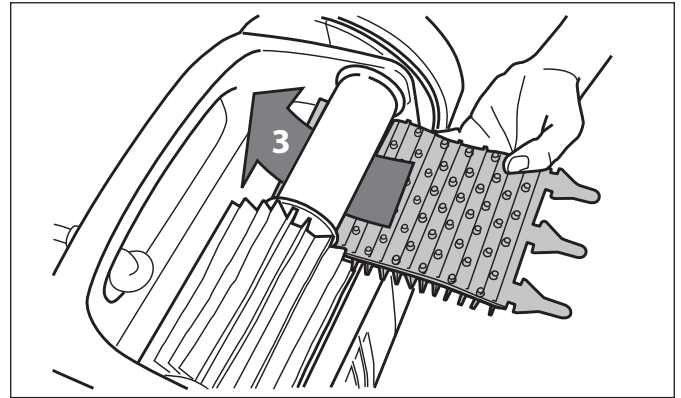


Figure 26. Install the New Brush

4. Thread each tab into the slot provided and gently feed it through until the heel comes out at the other side of the slot.

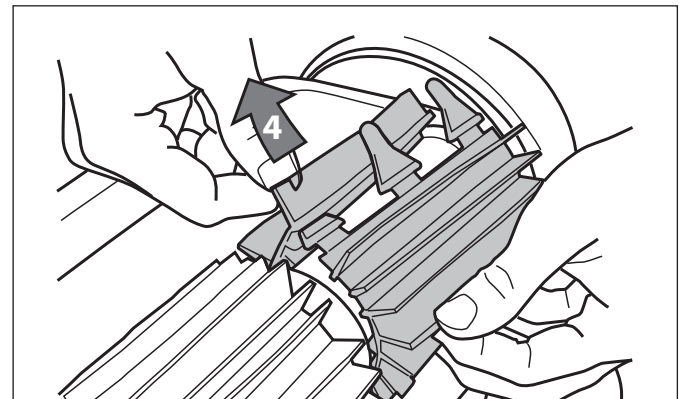


Figure 27. Pull Tabs Through Each Slot

5. Use a pair of scissors to cut the tabs 3/4 inch from the heel so that they are no higher than the cleaning blade.
6. Repeat the procedure to install the second brush.

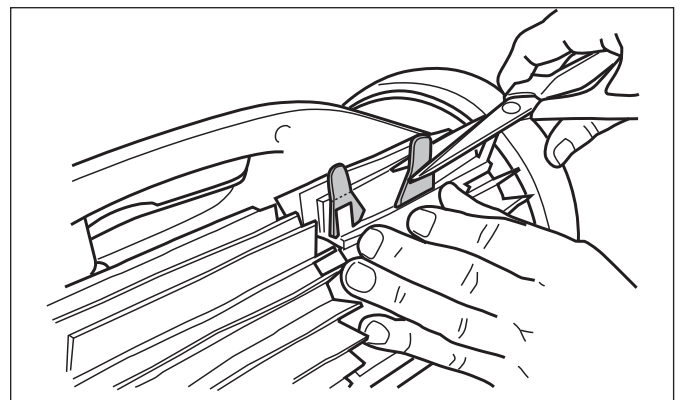
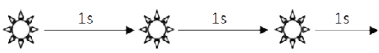

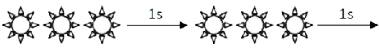


Figure 28. Cut Tabs

Section 6. Troubleshooting

6.1 Control Unit Status Indicator Lights

- If the status indicator on the Control Unit flashes, follow the recommended troubleshooting tips below.
- After resolving the error, press any key to delete the error code.

Flashing LED	Suggested Solution
 <p>1 flash / 1 second pause</p>	<ul style="list-style-type: none"> • Disconnect and reconnect the cleaner. • Check that the cable is properly connected to the control box. • Check that nothing is interfering with the cable connection area. • If this does not resolve the problem, contact your local retailer for a diagnostic review or call customer service.
 <p>2 flash / 1 second pause</p>	<ul style="list-style-type: none"> • Check that debris or the cable is not preventing the brushes or the tracks from rotating freely. • Check that nothing is interfering with the cable connection area. • Rotate the track by a quarter of a turn in the same direction until it rotates smoothly. • If this does not resolve the problem, contact your local retailer for a diagnostic review or call customer service.
 <p>3 flash / 1 second pause</p>	<ul style="list-style-type: none"> • Turn the cleaner off. • Clean the filter thoroughly. • Put it back in the water, shaking to release the air bubbles. • Restart the cycle. • If this does not resolve the problem, contact your local retailer for a diagnostic review or call customer service.
	<ul style="list-style-type: none"> • Check that no debris or hair is blocking the impeller. • Clean the filter thoroughly. • If this does not resolve the problem, contact your local retailer for a diagnostic review or call customer service.

6.2 General Troubleshooting

The following list provides some helpful hints for troubleshooting common challenges when using the cleaner.

Message	Possible Cause	Solution
Lights on control unit flash after pressing Start/Stop	Floating cable not connected.	Unplug and then reconnect the floating cable to the control unit.
	Cleaner not fully submerged.	Remove cleaner from pool and re-submerge (see: <i>Install and Submerge the Cleaner</i>).
	Poor connection or need to restart cycle.	Unplug the control unit and reconnect to an approved power outlet. Press "Start" to begin a new cycle.
	Propeller or wheels may be jammed and not turning correctly.	Contact your local retailer to request a diagnostic review. If the problem is not resolved, contact AstralPool Consumer Care 1300 186 875 for Australia or 0800 807 665 for New Zealand.
The flashing lights appear on the control unit during the cleaning cycle.	Cleaner not fully submerged.	Remove cleaner from pool and re-submerge (see: <i>Install and Submerge the Cleaner</i>).
The cleaner does not stay on the pool surface or is floating excessively.	There is air trapped inside the cleaner housing.	Remove cleaner from pool and re-submerge (see: <i>Install and Submerge the Cleaner</i>).
	The filter canister is full or dirty.	Dispose of debris and thoroughly clean the filter canister with mild soap and a soft brush. Then, re-submerge the cleaner (see: <i>Clean the Filter Canister</i>).

Message	Possible Cause	Solution
The cleaner is not climbing walls.	The filter canister is full or dirty.	Dispose of debris and thoroughly clean the filter canister with mild soap and a soft brush. Then, re-submerge the cleaner (see: <i>Clean the Filter Canister</i>).
	Tyre treads worn down.	See: <i>Replacing Wear Parts</i> .
	Confirm appropriate pool chemistry.	Speak with your pool service professional. Do not leave cleaner in the pool during any chemical treatments.
The cleaner is not moving	Not connected to electricity.	The outlet the control unit is connected to, is not supplying electrical power. Check that the outlet to which the control unit is connected is receiving electricity.
	Cycle not started.	Press the Start button to initiate a cleaning cycle.
	Reset needed.	Disconnect the unit power and reconnect after 20 seconds. If the problem is not resolved, contact your local retailer to request a diagnostic review or contact AstralPool Consumer Care 1300 186 875 for Australia or 0800 807 665 for New Zealand.
The floating cable has excessive tangling	Too much cable in the water.	Place only the required amount of cable into the water to allow it to reach the farthest end of your pool with remaining cable on the pool deck (see: <i>Install and Submerge the Cleaner</i>).
	Removal needed.	Untangle the twisted cord and lay in sun to reduce memory (see: <i>Cord Tangling</i>).
The cleaner is not cleaning the pool effectively.	Filter canister is full or dirty.	Dispose of debris and thoroughly clean the filter canister with mild soap and a soft brush. Then, re-submerge the cleaner (see: <i>Clean the Filter Canister</i>).
	Brushes are worn.	Check the wear indicator(s). Contact your local dealer for spare parts.
	Cable is excessively tangled.	Untangle the twisted cord and lay in sun to reduce memory (see: <i>Cord Tangling</i>).

Section 7. Conformity



87002641965

Intertek

3145455L100001-01A

Australian Cert. No. **SAA100894EA**
SAA100540

The manufacturer reserves the right to modify these specifications without notice. Although the cleaning robots have been tested in a large variety of swimming pools, AstralPool cannot be held responsible in the case of a non-perfect adaptation of the robot to a particular swimming pool.



Scan for Australia



Scan for New Zealand

For full warranty terms and conditions and to register your warranty, visit www.zodiac.com.au/warranty for Australia or www.zodiac.co.nz/warranty for New Zealand and complete your details. Or scan the QR code to go directly to the registration page

Record your equipment details here for quick reference:

Model No. : _____

Serial No. : _____

Fluidra Group Australia Pty Ltd
Po Box, Wetherill Park NSW 2164
ABN: 87 002 641 965
Customer Care Hotline: 1300 186 875
www.astralpool.com.au

Fluidra NZ Ltd
12 Douglas Alexander Parade
Rosedale Auckland 0632
NZBN: 942 903 181 70759
Customer Care Hotline: 0800 807 665
www.astralpool.co.nz