



MAXIM PUMP

High-performance pump for public swimming pools

- ✓ Large-capacity
- ✓ Easy-open hair and lint pot
- ✓ High quality 316 hardware and plastic body to prevent corrosion
- ✓ Optimum performance
- ✓ 3 Models - 4, 5 and 6HP



High performance and ease of maintenance

The self-priming, high performance Maxim pump has been developed for use in public swimming pools, and the high-resistance technical plastics used in its manufacturing guarantee a longer working life.

With a design adapted to the requirements of the public swimming pool, the Maxim is made entirely of technical plastics, which provide flow rates and working pressures similar to those of cast iron pumps of the same characteristics. The Maxim pump also incorporates a prefilter with a capacity of 8 litres. The prefilter is replaceable in all the models and has a standard key to facilitate opening. The available options all three-phase motors, are 4hp, 5hp and 6hp. The motors have working voltages of 380/415VAC 3 Phase. The Maxim has a self-priming capacity of 1.5 mca.

LARGE CAPACITY, EASY-OPEN PREFILTER

8-litre hair and lint pot made of polypropylene, a material that endows it with rigidity and greater resistance. It also incorporates a standard key to facilitate opening.

COMPLETE INSULATION FROM CORROSION

We have achieved complete insulation from corrosion and high temperatures thanks to the use of AISI 316 stainless steel in the parts in contact with water and of aluminium oxide in the mechanical seal. The Class F motor guard enables it to tolerate internal temperatures of up to 155 degrees C.

CHARACTERISTICS

Materials

Diffuser body made of polypropylene and polystyrene rotor with glass fibre offers great mechanical resistance at high temperatures. The motor shaft and all of the metal parts in contact with water are made of AISI-316 stainless steel. The mechanical casing also incorporates AISI-316 stainless steel and aluminium oxide on non-moving parts, material of great purity, which gives it resistance to pressure and temperature.

Motor

Eurotension motor with IP-55 protection and class F insulation. Double insulation around the motor axle to protect against spurts of water.

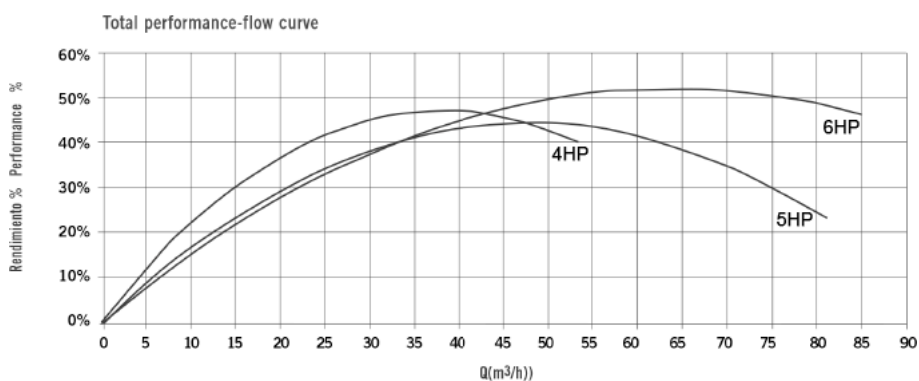
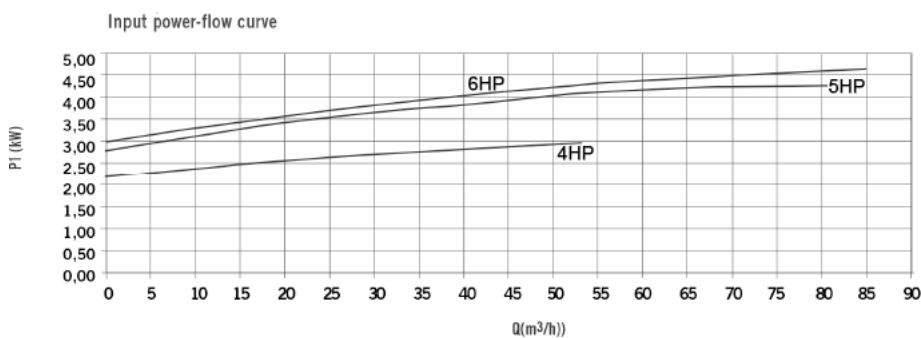
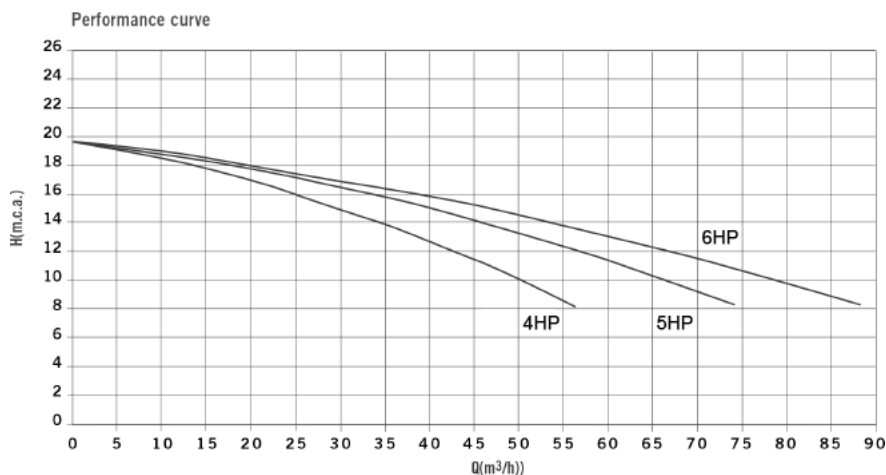
2RS Bearings

These seals are protected by two sealed plates made of platen-moulded rubber, which prevent the intrusion of solid particles into the bearing. This kind of bearing makes it possible to work in wet environments and at high temperatures.

Accessories

Includes 80mm connection fittings for suction and propulsion in the pump unit.

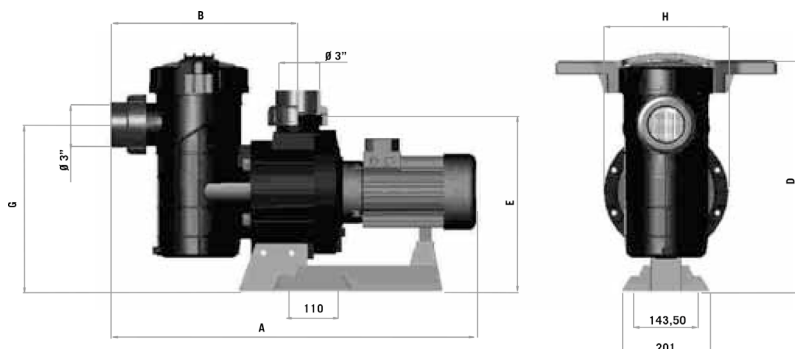
TECHNICAL INFORMATION



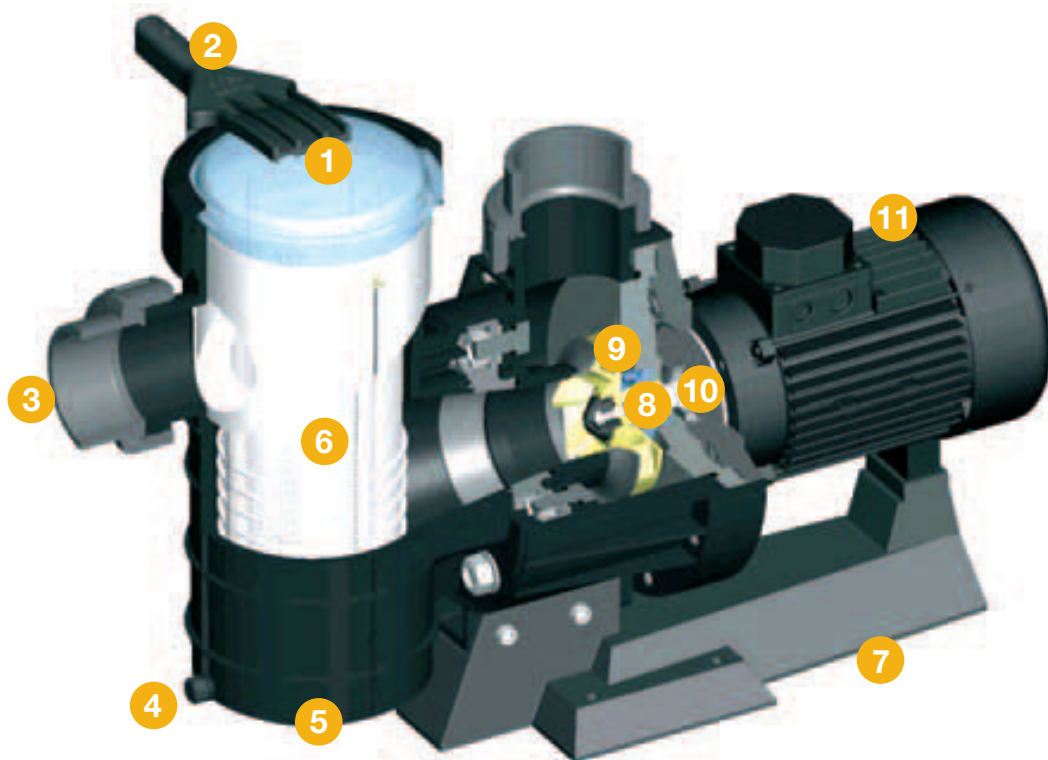
230/400 V 50Hz	Intensidad A		P1 (Kw)		P2	Q (m³/h)	H(m.c.a)					
	230 V III	400 V III	III	kW	HP		8	10	12	14	16	18
08003	10	5.8	3.22	2.6	4	Q (m³/h)	56	50	42	34	23	-
08004	13	7.4	4.06	3.3	5		74	66	57	46	30	15
08005	15	8.4	4.83	4	6		88	78	67	53	34	17

SPECIFICATIONS

Code	A	B	C	D	E
08003	813	432	386	534	409
08004	845	432	386	534	409
08005	845	432	386	534	409



PUMP COMPONENTS



- 1 Transparent prefilter lid
- 2 Prefilter lid key
- 3 80mm connection fittings for suction and propulsion
- 4 Easy-open drain plug
- 5 8-litre capacity hair and lint pot
- 6 Prefilter mesh to prevent the entrance of solid particles into the hydraulics
- 7 Extra-stable pump foot
- 8 Mechanical casing made of AISI 316 steel and non moving parts of aluminium oxide
- 9 Polystyrene rotor with glass fibre
- 10 2RS bearings made of platen-moulded rubber
- 11 Eurotension motor with IP-55 protection - Class F insulation

Available from:

ASTRALPOOL 

A division of
FLUIDRA 

Melbourne:	03 8796 8600	Gold Coast:	07 5552 2600
Sydney Seven Hills:	02 9853 2100	Townsville:	07 4796 0100
Sydney Moorebank:	02 8778 9500	Adelaide:	08 8152 7600
Brisbane:	07 3308 5400	Perth:	08 9350 2600

sales@astralpool.com.au
www.astralpool.com.au



facebook.com/astralpoolAU