



KIVU® FILTER PUMP

The market's most efficient plastic pump for large flows

- ✓ High hydraulic efficiency (up to 85%)
- ✓ Low noise level (up to 66dBA in the 7.5HP model).
- ✓ For large flow requirements, up to 280m³/h
- ✓ High efficiency motors: MEPS, IE2 and NEMA Premium efficiency
- ✓ 3 models - 7.5, 10 and 15hp
- ✓ 4 Pole 1480 RPM



KIVU® FILTER PUMP

How did AstralPool get to invent the KIVU® Pump?

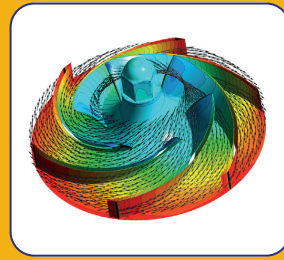
The KIVU® project arises from the need to have a pump for large flows with the following required features:

1. Plastic pump for large flows and multiple uses (Pool, Fish farming, Water parks...)
2. Maximum hydraulic efficiency
3. Low noise level
4. Use of standard market motor
5. PCT Patent pending

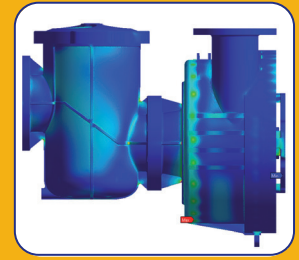
We have created a pump that suits the different requirements of the market and/or customer as:

- One pump platform design for all versions
- High efficiency motors compliant with the MEPS, IEC and NEMA standards (IE2 and NEMA Premium efficiency).
- Standard motor shaft (compatibility with any motor manufacturer)
- 316 Joints, bolts and fasteners
- Product with UL and GS marks

The KIVU® plastic pump for large flows has been designed to achieve the maximum working efficiency with the lowest noise. KIVU® is undoubtedly the highest efficiency pump in the market.



CFD



CAE

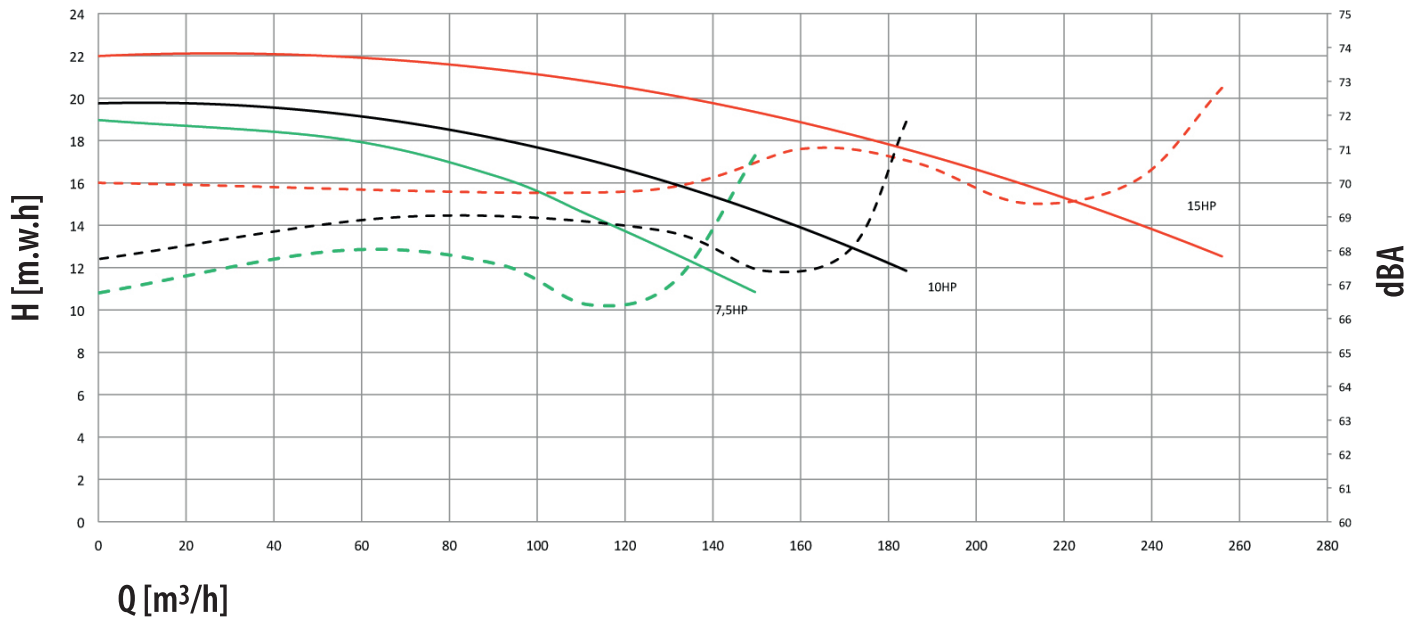
Use of state of the art technology in finite elements analysis software (CFD and CAE) in its design, development and simulation with the aim of efficiency optimization: 85% pump efficiency achieved and materials with high structural stability: according to pressure tests, NSF 50 standard compliant. The final results in installations show the important cost saving of the KIVU® filter pump based on high energy efficiency.

FEATURES

- High efficiency plastic pump
- 1500rpm centrifugal pump
- Low noise level: up to 66dBA
- Power range 7.5 - 10 and 15HP
- Hydraulic efficiency without pre-filter 85% (compliant with ISO 9906 standard)
- For large flow use, up to 280m³/h
- Standard 125mm Inlet x 100mm Outlet
- Closed coupled optional hair and lint pot (25 Litres)
- Standard IEC motor with B5 aluminium motor flange configuration
- High efficiency motors compliant with IE2 and NEMA standards (IEC 60034-30 and NEMA Premium compliant). IE3 ready.
- Standard motor shaft (compatibility with any motor manufacturer)
- Plastic impeller (No metallic parts in contact with water)
- Product with UL and GS marks
- Supply voltage: 380-415VAC 3 Phase
- AISI-316 stainless bolts
- 316 Stainless Steel EPDM Mechanical Seal suitable for salt pools to sea water

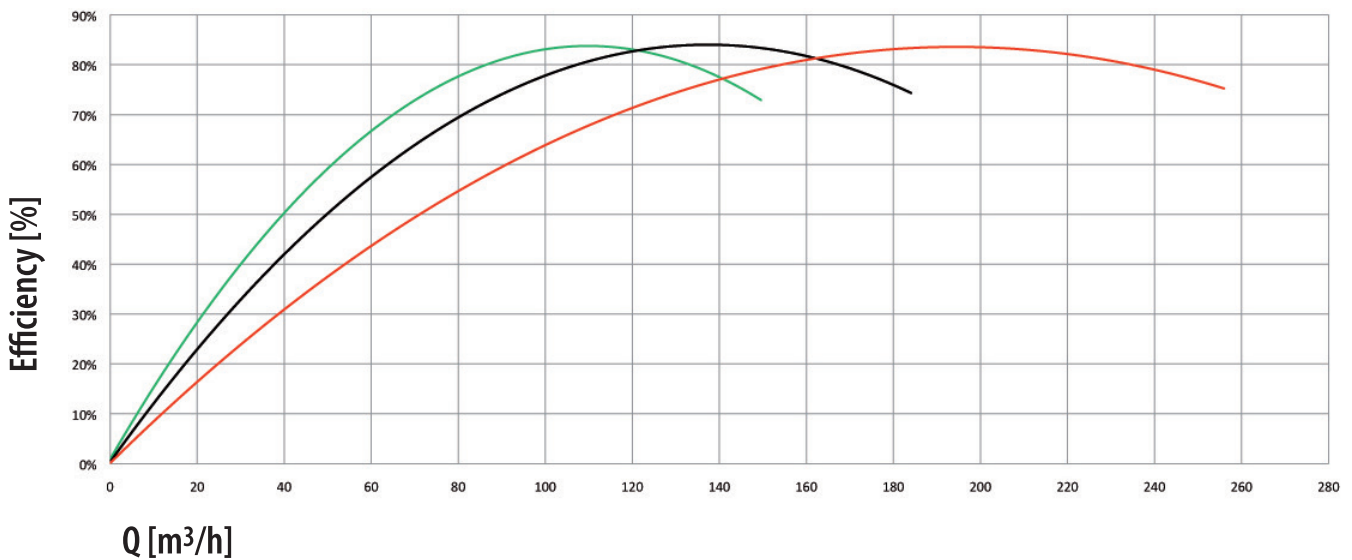
KIVU® PUMP WITHOUT PRE-FILTER H/Q

According to standard ISO 9906:2012



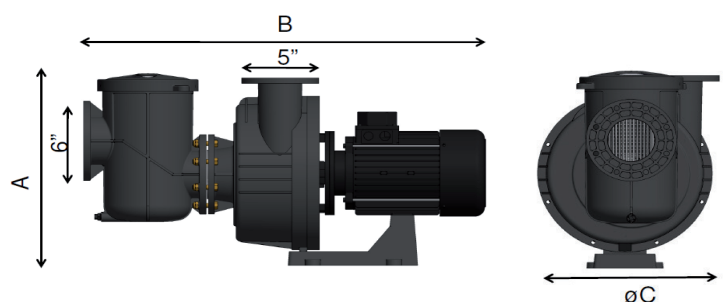
KIVU® PUMP WITHOUT PRE-FILTER HYDRAULIC EFF.(P3/P2) / Q

According to standard ISO 9906:2012



SPECIFICATIONS

Dimensions (mm)	A	B	C
KIVU® 7.5HP 1500 rpm	688	1215	550
KIVU® 10HP 1500 rpm	688	1250	550
KIVU® 15HP 1500 rpm	688	1315	550





Available from:



A division of
FLUIDRA

Melbourne:	03 8796 8600	Gold Coast:	07 5552 2600
Sydney Seven Hills:	02 9853 2100	Townsville:	07 4796 0100
Sydney Moorebank:	02 8778 9500	Adelaide:	08 8152 7600
Brisbane:	07 3308 5400	Perth:	08 9350 2600

sales@astralpool.com.au
www.astralpool.com.au



facebook.com/astralpoolAU