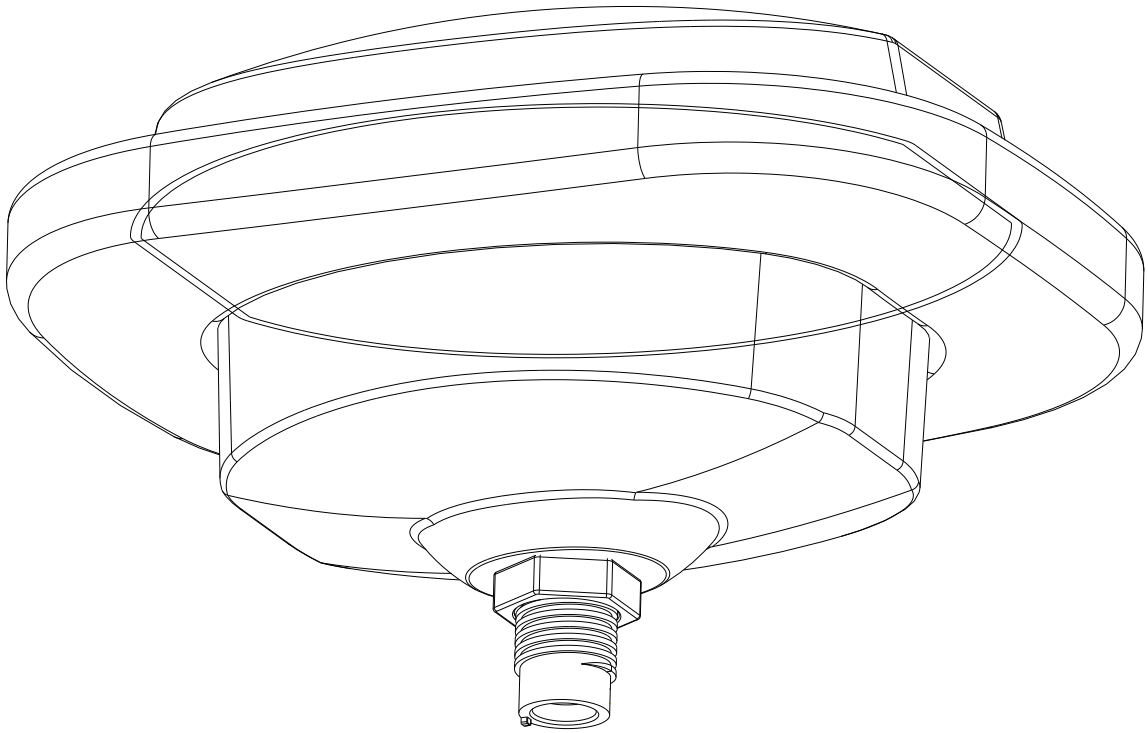


Floating Battery User Manual



Catalogue

1 Safety Warnings	1
1.1 2.5m Floating Cable Instructions.....	1
1.2 Floating Battery Instructions.....	2
2 Packing List	3
3 Product Parameters	3
4 Main Parts	4
5 Display Lights	5
6 Battery Recharges	6
7 Installation	7
8 Troubleshooting and Warning Lights	8

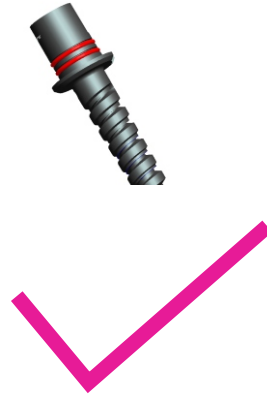
1 Safety Warnings

1.1 2. 5m Floating Cable Instructions

1.1.1 Confirm the Sealing Ring is assembled on the Joint before operating the Pool Cleaner as Pic.1.1.2.

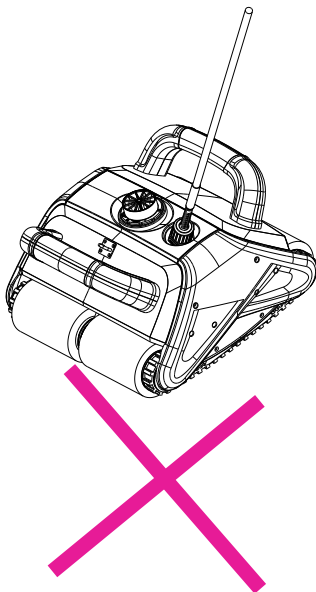


(Pic.1.1.1)

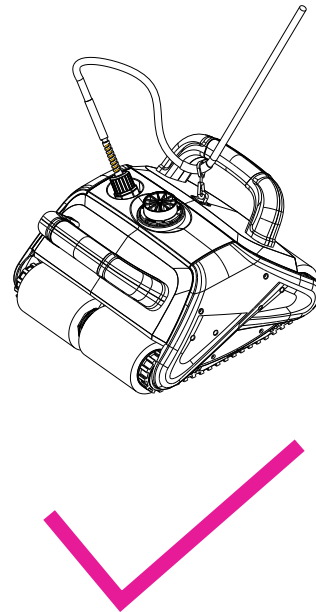


(Pic.1.1.2)

1.1.2 Equip the Floating Cable to the Pool Cleaner as Pic.1.2.2



(Pic.1.2.1)



(Pic.1.2.2)



1.1.3 **WARNING:** Lift the Pool Cleaner out of the water by using the robot handles, do not lift the Pool Cleaner by using the Floating Cable. Lifting via the cable is forbidden and voids the warranty.

1.2 Floating Battery Instructions



1.2.1 It is designed to be used together with Pool Cleaner Series. Any other use is prohibited and will void manufacturers' warranty.



1.2.2 Do not swim in the pool whilst the Floating Battery is in use in order to avoid personal injury.



1.2.3 It is recommended to be placed in a shady, dry and ventilated area.



1.2.4 Do not use the Floating Battery if there is a chance of thunder storm to avoid personal injury.



1.2.5 Ensure the Pool Cleaner is fully submerged before turning Power Switch on.



1.2.6 If the Pool Cleaner is not going be used for a long time, make sure to disconnect the Floating Battery, keep it clean and put it in a safe, dry and well- ventilated area.



1.2.7 If the Pool Cleaner stops working, please refer to section 8 “Troubleshooting”, If you cannot find the root cause, please contact your local distributor.



1.2.8 The optimum working temperature for the Pool Cleaner is between 10°C and 32°C, avoid direct sunlight when not in use.



1.2.9 The Floating Battery is suitable for the swimming pools no deeper than 2.5 meters.



1.2.10 Ensure the battery is charged in a shady, dry and well-ventilated area.

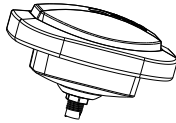
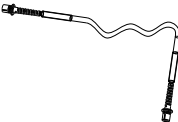




1.2.11 Full charge-discharge once per every three months to extend the battery life.



1.2.12 This appliance can be used by children aged from 8 years and above and persons with reduced physical, sensory or mental capabilities or lack of experience and knowledge if they have been given supervision or instruction concerning use of the appliance in a safe way and understand the hazards involved. Children shall not play with the appliance. Cleaning and user maintenance shall not be made by children without supervision. If the supply cord is damaged, it must be replaced by the manufacturer, its service agent or similarly qualified persons in order to avoid a hazard.

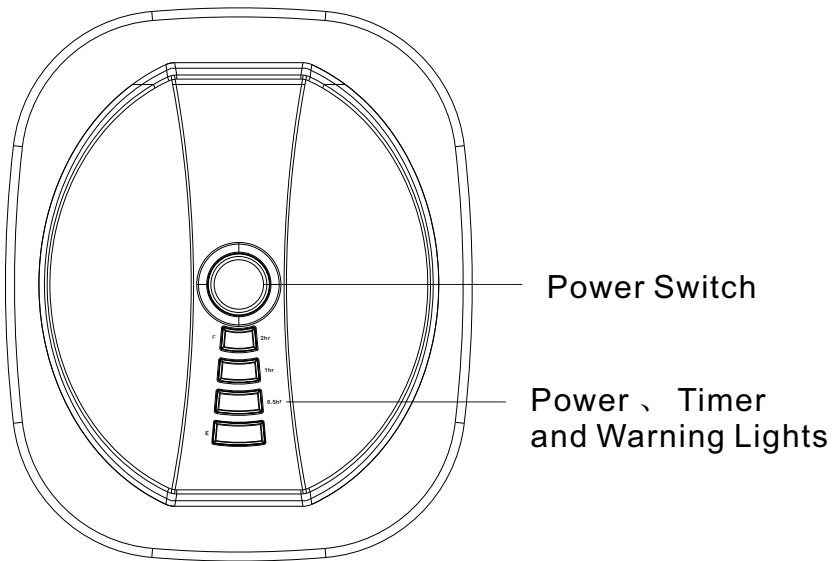
2 Packing List

Serial Number	Part Name	Quantity	Picture
1	Floating Battery	1	
2	Floating Cable	1	
3	Charger	1	
4	Hook	1	

3 Product Parameters

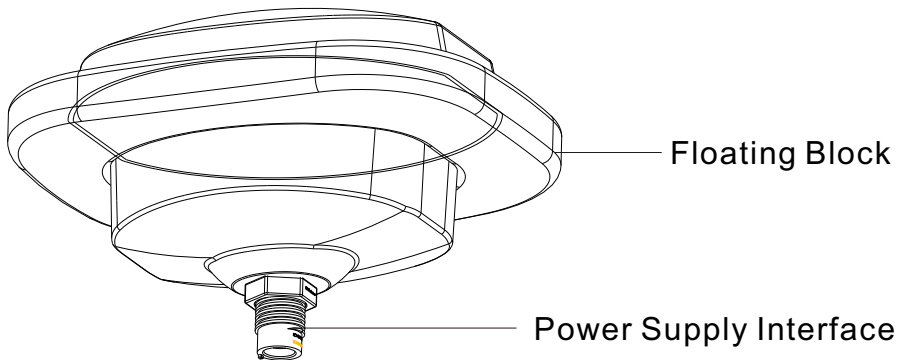
Model	24V/13AH
Charger Output	DC29.4V, 2.0A
Charger Input	100~240VAC, 50/60Hz
Cycle Time	0.5Hr/1Hr/2Hrs
Floating Cable Standard Length	2.5m
Grade of Waterproof	IP68
Optimum Storage Temperature	0~40℃
Optimum Working Temperature	10~32℃
Dimension (L*W*H)	337*284*215mm
Packing Measurement(L*W*H)	443*340*320mm
Net Weight	3KG

4 Main Parts



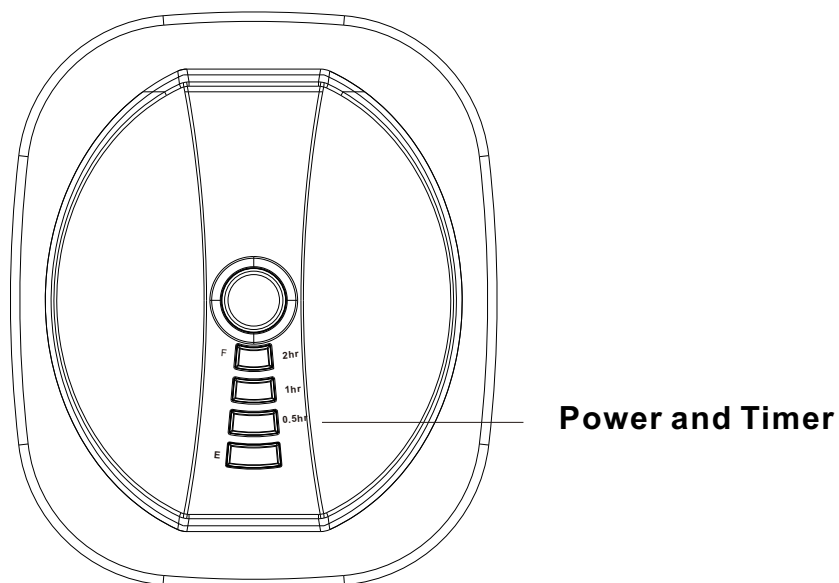
(Pic.4.1.1)

- 1、 Start the System by pressing the Power Switch shortly;
- 2、 Press the Power Switch for 3 seconds to shut off the power in Emergency.



(Pic.4.1.2)

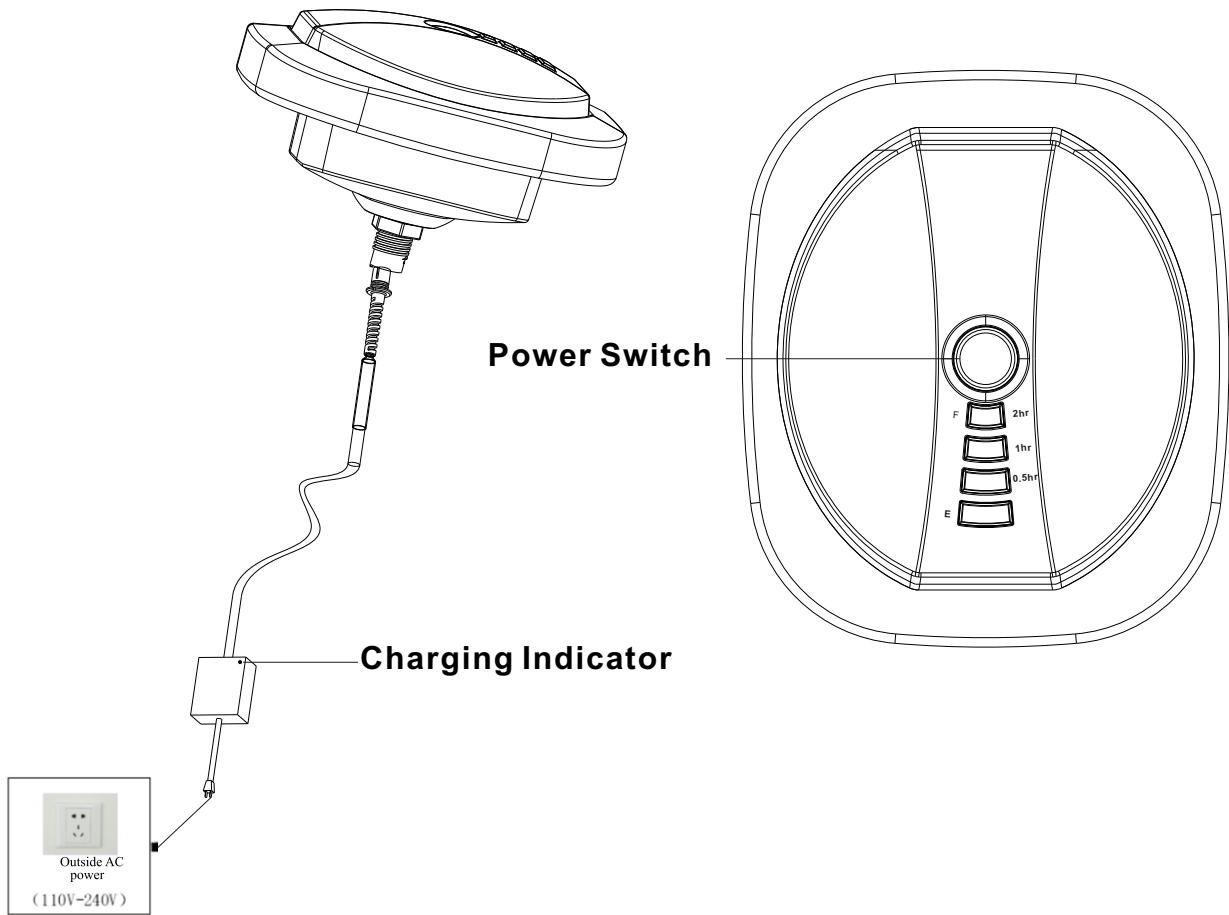
5 Display Lights



(Pic.5.1.1)

1. When the Battery is fully charged, the four Power Display Lights are on. Otherwise, it is non-fully charged .
2. When using the Remote Control to set the cycle time, the corresponding Display Light flashes.

6 Battery Recharges



(Pic.6.1.1)

(Pic.6.1.2)

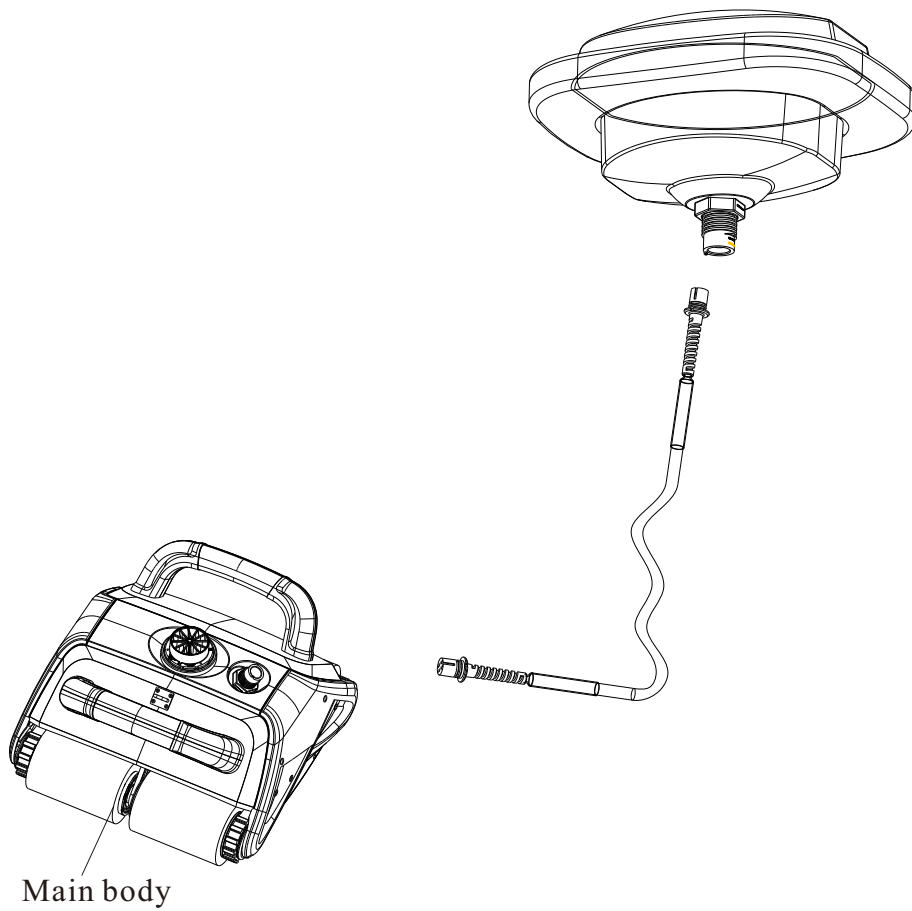
When the battery power is low, the battery needs to be charged:

5.1 Please use the Charger to connect the battery and outside AC power to charge.

5.2 Charging Time: approximately 6 hours.

Note: When the Charging Indicator turns green, the battery is fully charged.

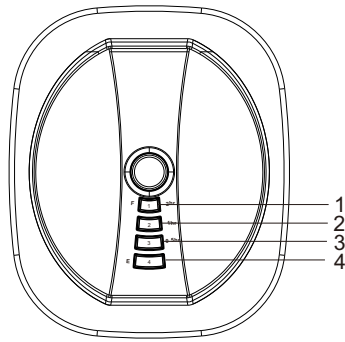
7 Installation



(Pic.4.1.1)

- 1、 Use the 2.5m Floating Cable to connect the Main Body and the Floating Battery;
- 2、 Put the Main Body into the water firstly, then press the Power Switch and put the Floating Battery into the water.

8 Troubleshooting and Warning Lights



(Pic.6.1.1)

Display Light	Failure	Solution
Number 1 light flashing	The Pool Cleaner stops due to lacking of water	Return the Pool Cleaner to deeper water and restart
Number 2 light flashing	The Motor Pump inside the Pool Cleaner has over heated	Contact the supplier for support
Number 3 light flashing	The Pool Cleaner is upside down	Turn the Pool Cleaner over, and restart using the Remote Control or Power Switch
Number 1 and 3 lights flashing	The Walking (Drive Wheel) Motors are over loaded	<ol style="list-style-type: none"> 1. Check the Walking Motors, Drive Tracks and Tracking Belts for debris or damage. 2. Clear debris or replace parts and restart the Pool Cleaner.
Number 1, 2 and 3 lights flashing	The Water Pump is over loaded	<ol style="list-style-type: none"> 1. Turn the robot off, check the Impeller for debris, or damage. 2. Clear or replace Impeller, then restart the Pool Cleaner.
Number 1, 2, 3 and 4 lights flashing	The Floating Battery is low	Battery needs to be recharged.
	The Selected cycle has finished	Shut off the robot by the Power Switch.
	The robot shuts off by Remote Control	

Common Fault	Reason	Solution	Remarks
Pool Cleaner doesn't work	The Socket is not plugged in	Plug in the Power Lead	Please turn off the power before you perform any maintenance on the Pool Cleaner
	Connection is wrong	Check the connection	
Weak Pumping	Impeller is jammed or dirty	Clean the Impeller	
	Impeller is damage	Replace the Impeller	
	Filter Bag is full	Clean the Filter Bag	
Pool Cleaner is turning to one side when it moves	Drive Belt is loosen or broken at one side	Replace the DriveBelt	
	The Filter Bag is full	Clean the Filter Bag	
Pool Cleaner will not climbs wall	Filter Bag is full	Clean the Filter Bag	
	Drive Belt is loosen or broken	Replace the Drive Belt	
	Sponge Wheel wear	Replace the Sponge Wheel	
	Axis Sleeves wear	replace Axis Sleeves	
Pool Cleaner will not sink to the bottom of the pool	The Sponge Wheel don't soak enough	Hold iCleaner in water and make sure Sponge Wheel soak enough, normal time is about 5-15 minutes	
	It has air inside the machine	Wobble Pool Cleaner and make sure air released	
Dirt is coming through the Guide Vane.	Belt of Filter Bag is loosen or broken.	Replace broken Filter Bag	