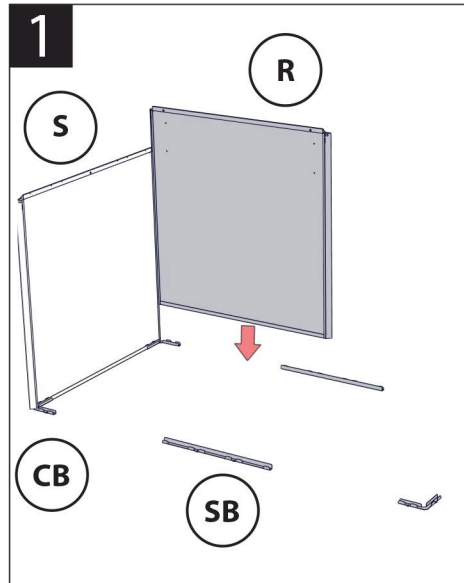
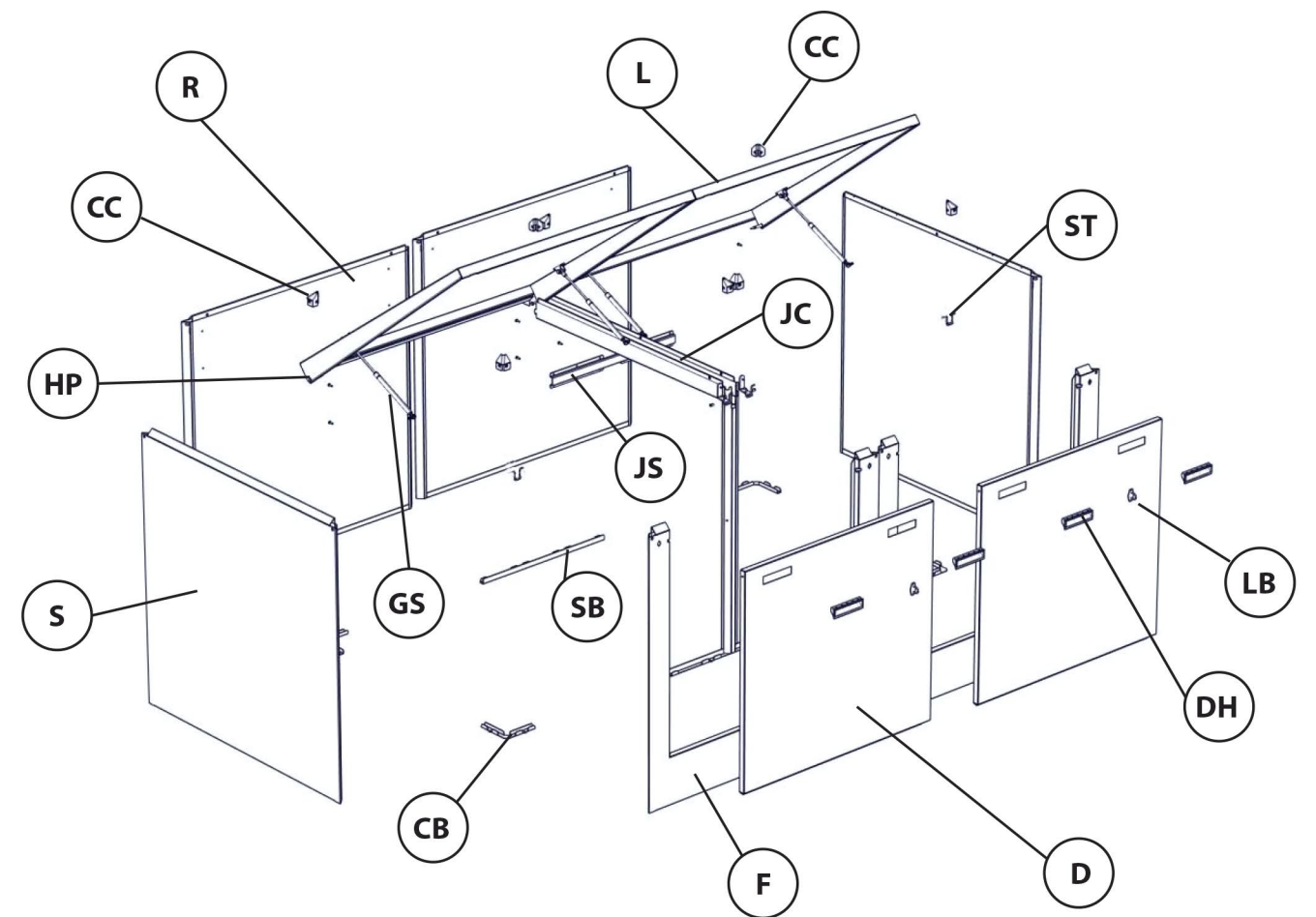
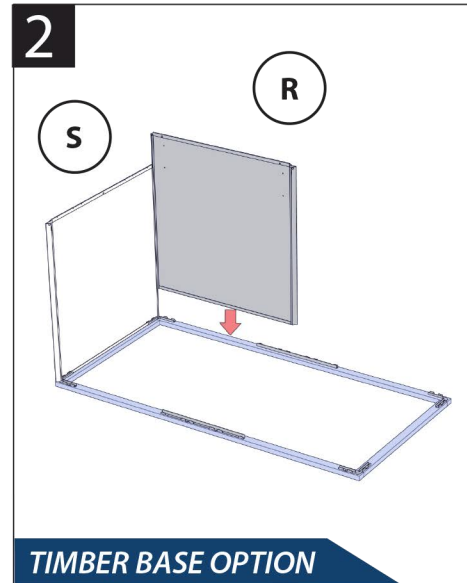


>1.7m Models

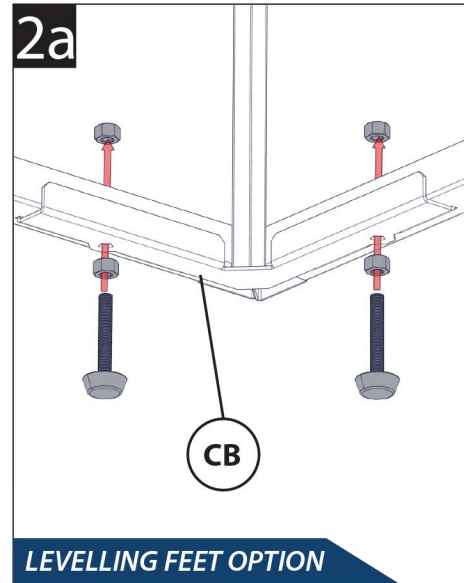


Locate slots on bottom of side and rear panels and push down into the corner and straight brackets as shown.



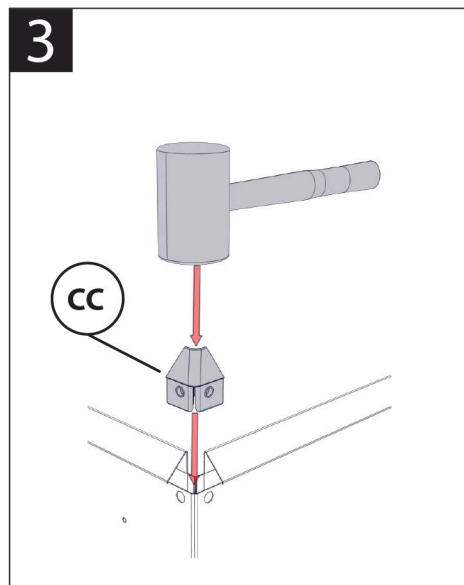
TIMBER BASE OPTION

If no concrete slab / other flat surface is available, use the timber base frame as shown.

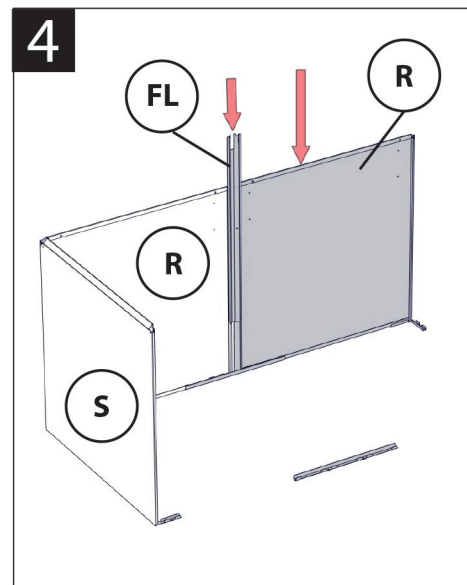


LEVELLING FEET OPTION

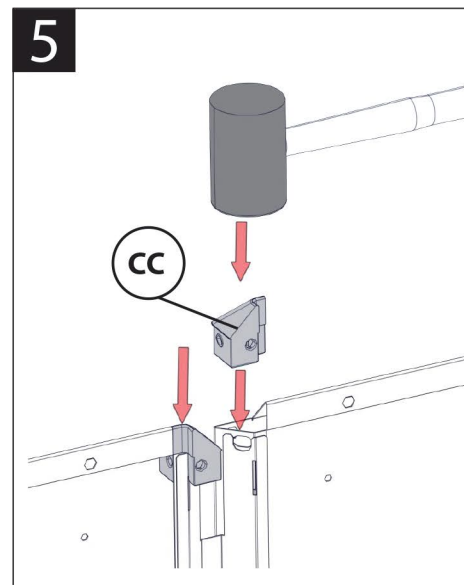
If installing on an uneven / unlevelled surface, please use the optional feet (through holes in bottom corners) to raise the box and adjust the nuts below / above the corner bracket to suit.



Now insert a plastic cap into the holes in the top of the panel to join them. Tap into place with a mallet.

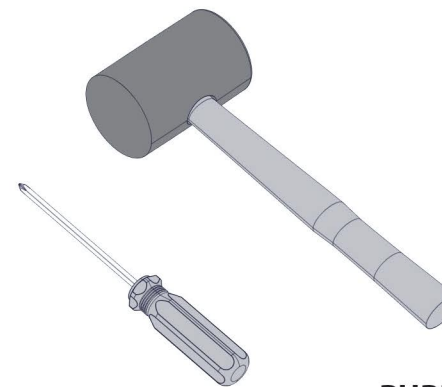


Now insert the other rear panel onto the tabs of the corner and straight brackets. Insert the filler between the panels and slide into the straight bracket, ensuring slots at top of filler are in line with slots at top of panels.



Place the plastic caps into the panels to join them to the filler.

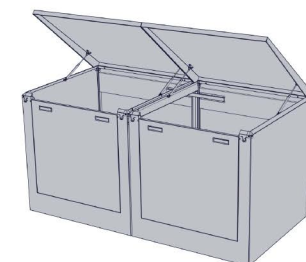
REQUIRED TOOLS



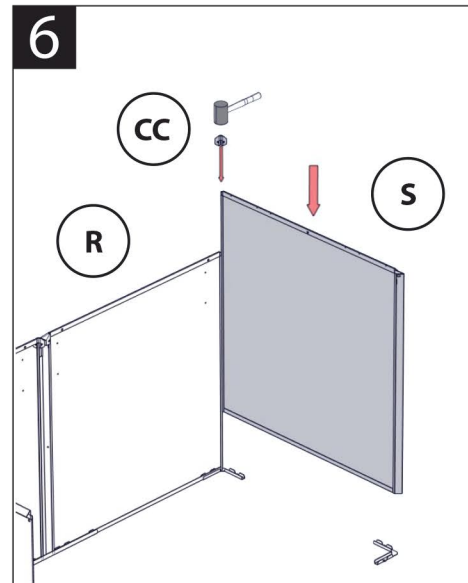
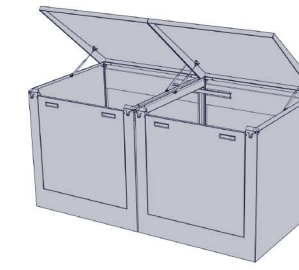
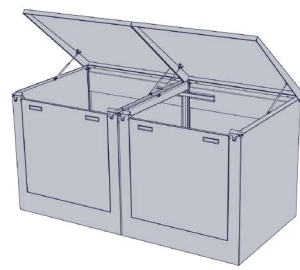
PHILLIPS SCREWDRIVER

RUBBER MALLET

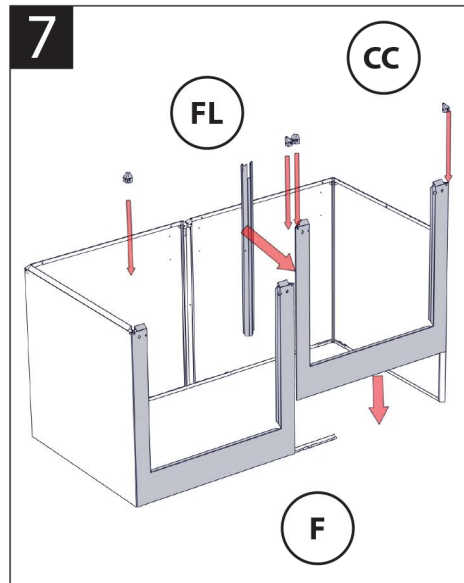
Part No.	Description	Qty.
S	SIDE PANEL	2
R	REAR PANEL	2
F	FRONT PANEL	2
D	REMOVABLE FRONT DOOR	2
L	LID	2
CB	CORNER BRACKET	4
HP	HINGE PIN	2
GS	GAS STRUT	4
H	HASP	2
CC	PLASTIC CAP	8
ST	STAPLE	2
DH	DOOR HANDLE	4
JC	JOINT CHANNEL	1
SB	STRAIGHT BRACKET	2
FL	FILLER	2
JS	JOINING STIFFENER	1
HPL	LONG HINGE PIN	1



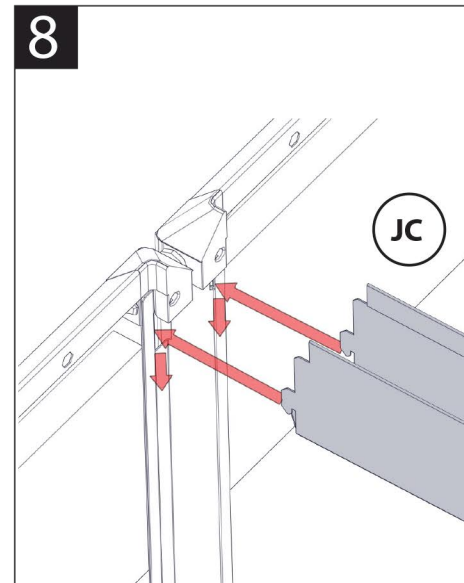
>1.7m Models



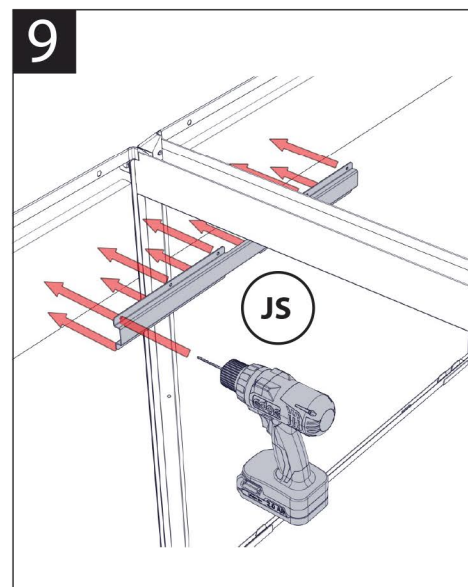
install the second side panel and insert the plastic cap.



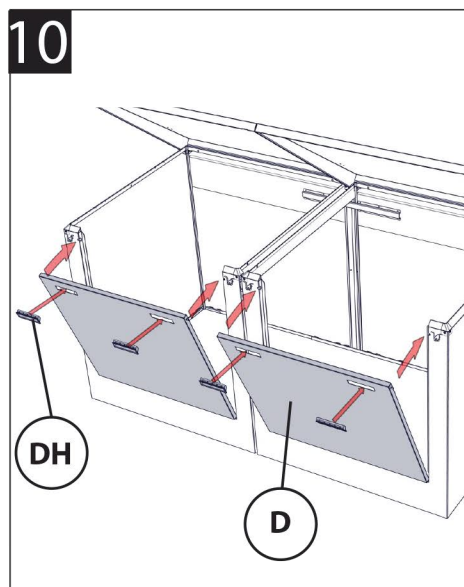
Slide the front panels into position and insert the filler and caps (same method as for rear panels).



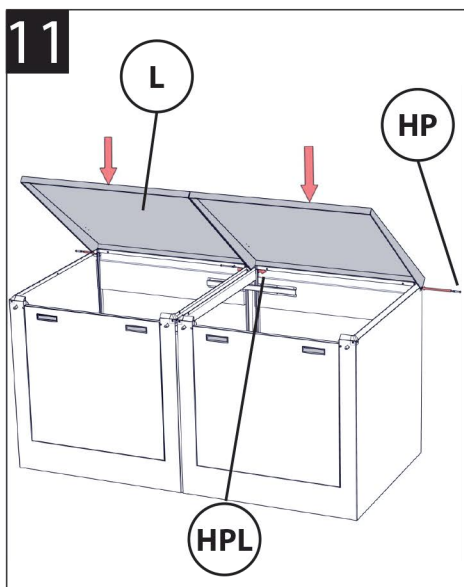
Now it's time to attach the joint channel into the rear and front panels. Push tabs into the slots (through fillers and rear/front panels) and then push down to lock.



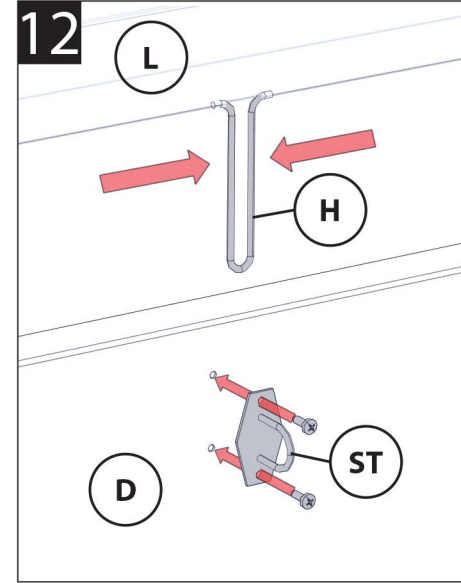
Get the joining stiffener and screw fix to timber panels.



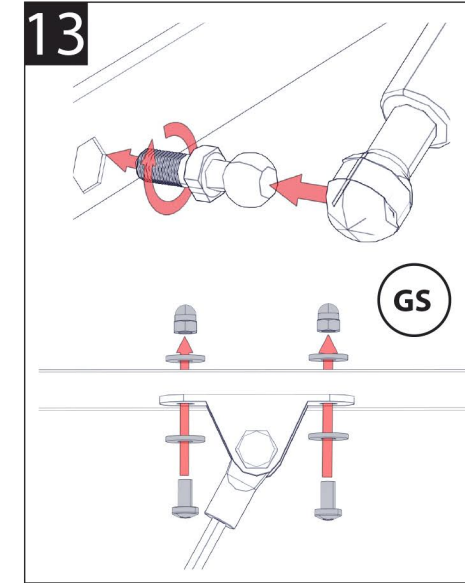
Insert the handles into the door until a "click" is heard. Place the removable front door into the panel by placing the lip of the door over the front panel step. Insert the door by aligning the studs on the side with the slots in the front panel. Push in slightly and then down.



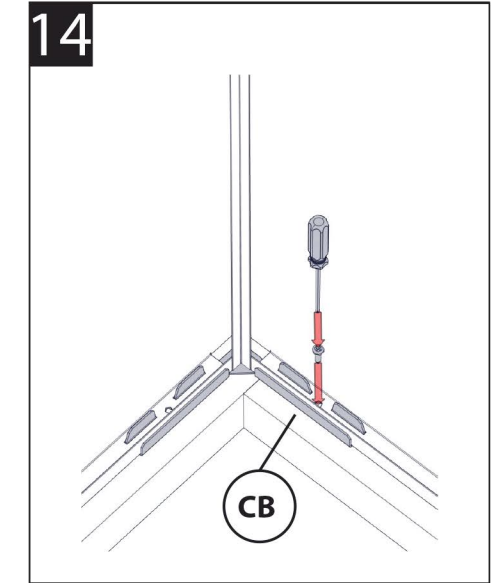
Attach the lids to unit with hinge pins. Align pins with holes and tap into place with a mallet. For the central join, tap the centre hinge pin through both top lids and corner caps.



Insert staple into slot into top lid by pinching sides. Insert screws through hasp into removable door



Attach gas struts to the side panel by attaching ball bearing first. Now push the struts onto the ball bearing. Insert bolt and washer into the faceplate of the strut and through the predrilled holes in the top door and secure with the dome nuts provided,



Anchor box to timber base frame as shown or concrete slab / other flat surface.

IF YOUR MODEL IS >2.7m WIDE, THEN REPEAT ABOVE INSTRUCTIONS



6 Carolyn Street, Silverwater, NSW 2128
T: (02) 9620 5430 E: info@acousticbox.com.au W: www.acousticbox.com.au

For our **3D Assembly Instructions** please scan the QR code below or go to:

<https://www.acousticbox.com.au/html/acoustic-box-301118/index.html>

