

EV30CBX/21/AU Quick Setup Sheet (KOK)(200901)

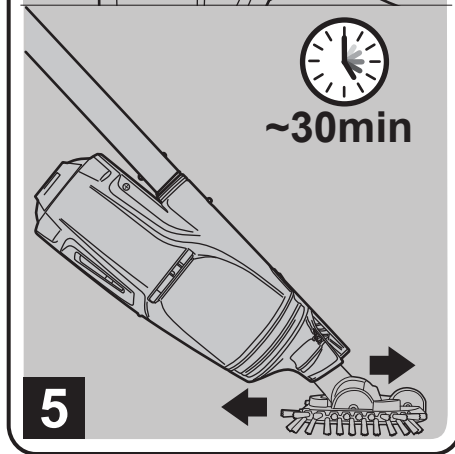
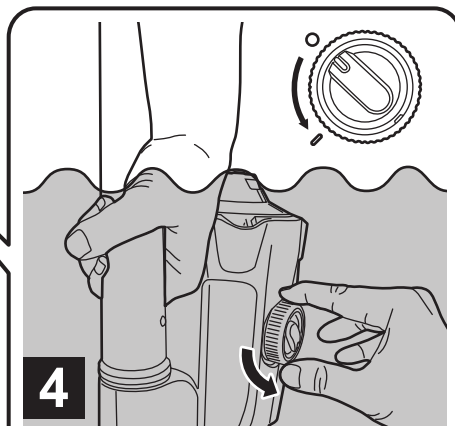
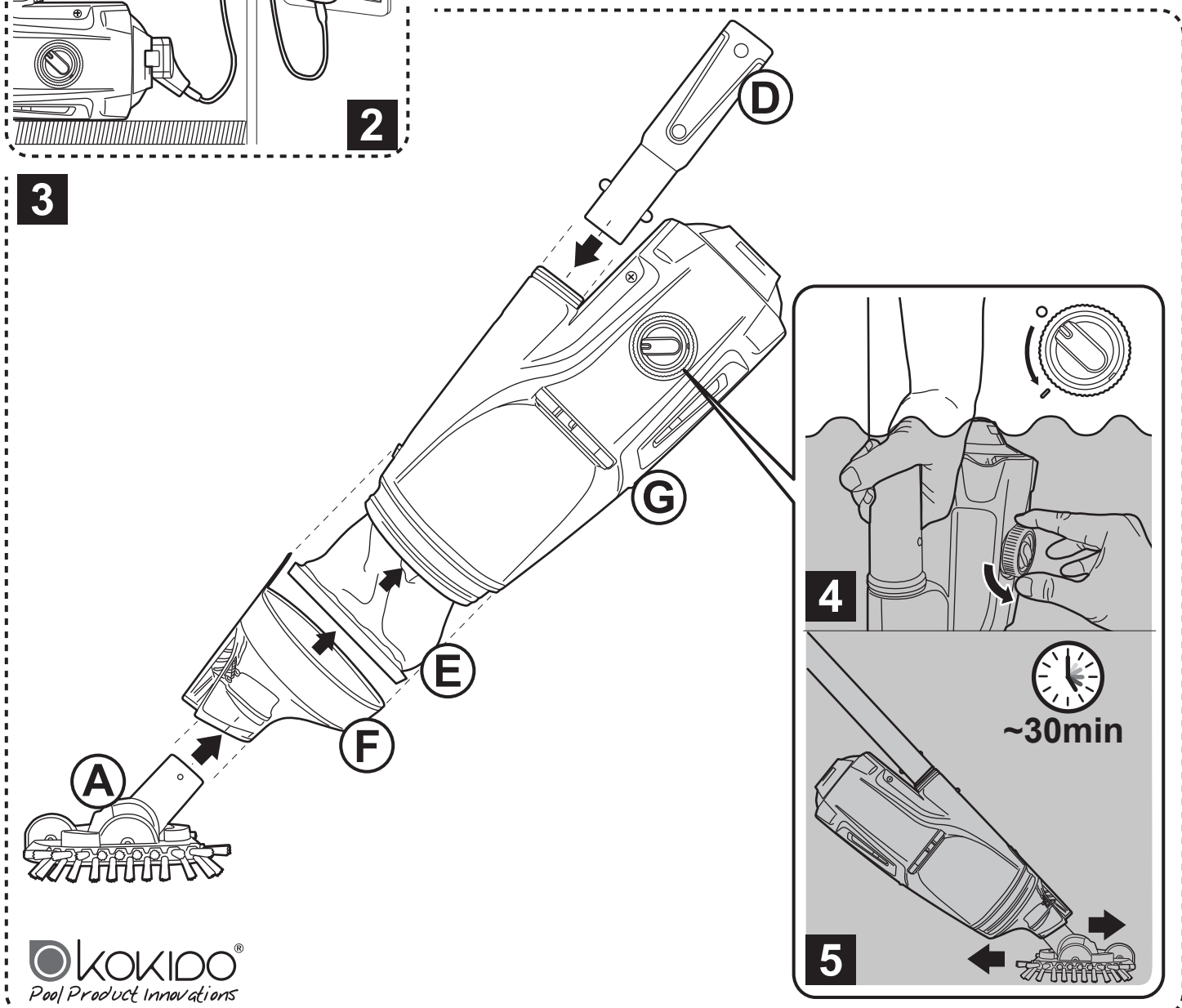
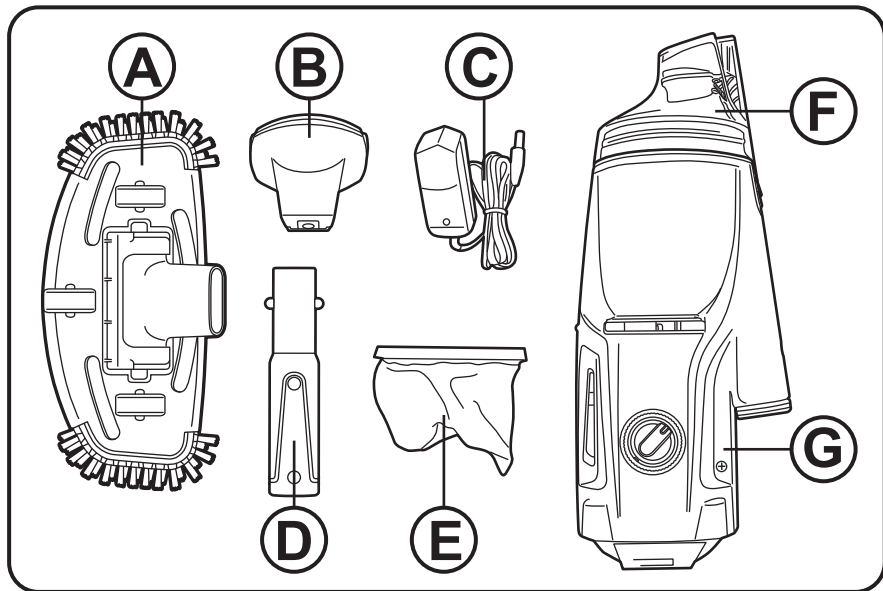
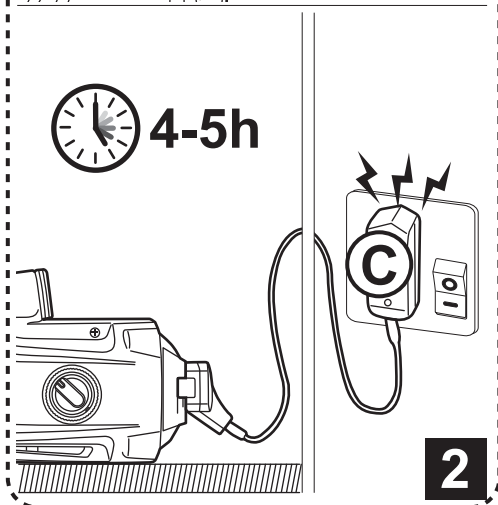
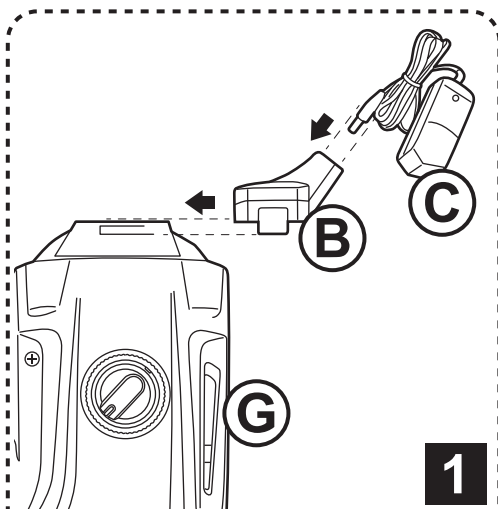
size: W210 x L290mm

Material: 200gsm art paper (粉紙 / 銅板紙)

Finishing: glossy lamination (過光膠)

Printing: 1C (印1色)

Telsa[®] 30



KOKIDO[®]
Pool Product Innovations

EV30CBX/21/AU