

VORTEX[®] SLIDE

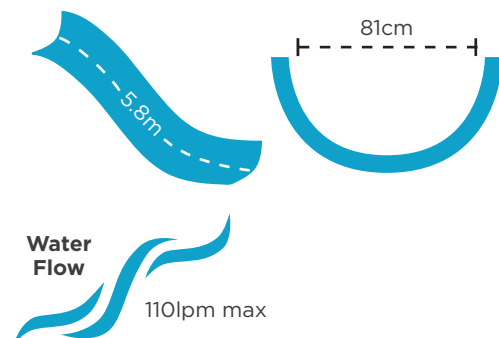
Great for Kids of All Ages!

The flexibility of this slide is perfect for commercial or high-end residential applications. The high-volume water delivery system gives you up to 110 litres of water per minute.

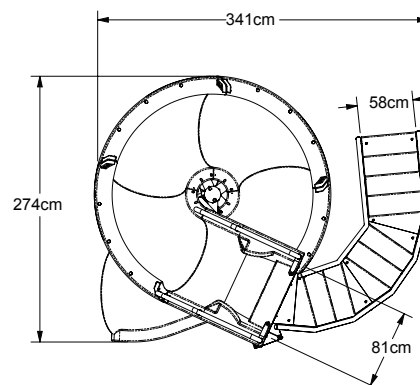
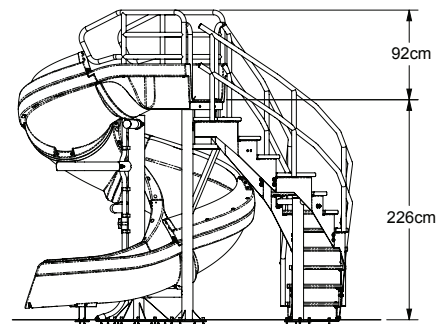
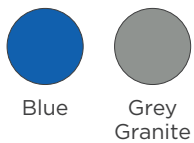
- Height: 3.26 meters overall, 2.3 meters to the seat. Corkscrew flume is 5.8 metres in length
- Required deck space: 3.5 metres x 3 metres (with staircase), or 3 x 3 meter (with ladder)
- Weight limit: 148kg Children must be supervised at all times when using this slide
- Closed flume with spiral staircase



FLUME DETAILS



COLOURS



Vortex[®] Slide

Model/Item No.	Description	SHIPPING (Vortex Slide ships a 2 pallets)			
		Weight	Length	Width	Height
695-209-43	Closed flume with staircase, Blue	844kg	325cm 381cm	145cm 99cm	183cm 122cm
695-209-424	Closed flume with staircase, Gray Granite	844kg	325cm 381cm	145cm 99cm	183cm 122cm