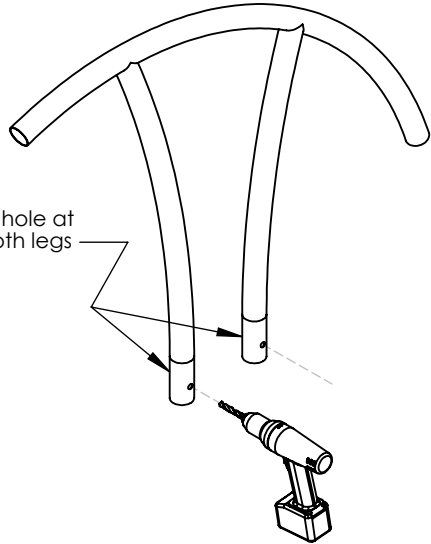


Core Drill Installation Instructions

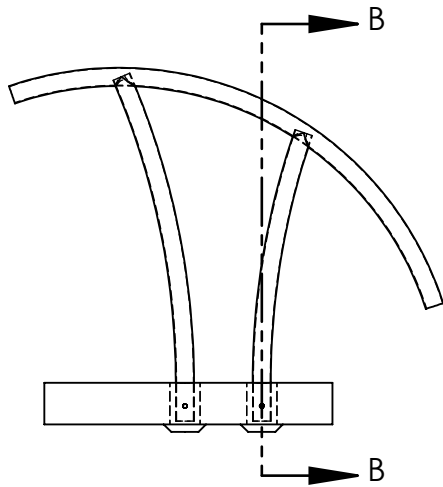
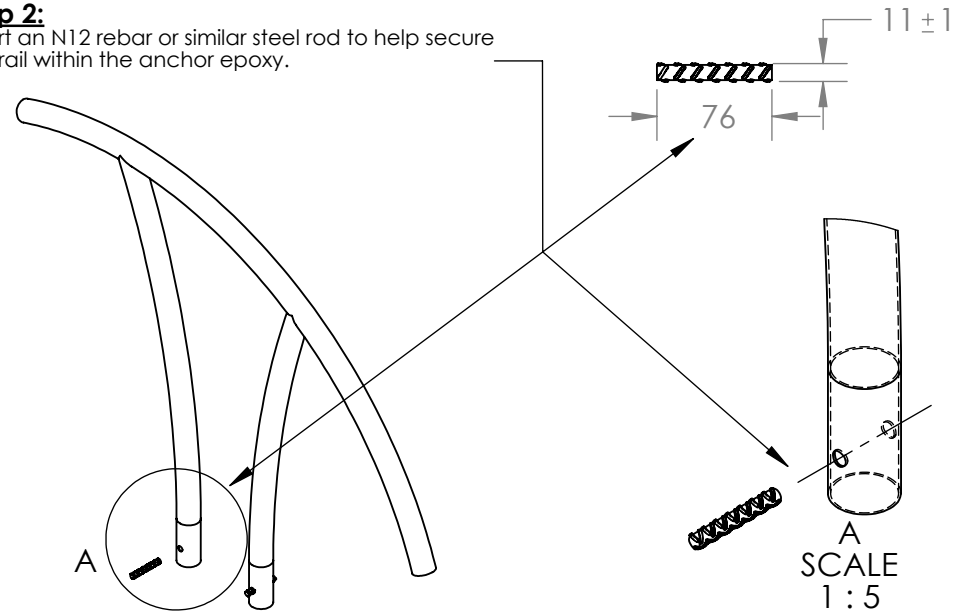
Step 1:

Drill a 12mm diameter thru hole at 40mm from the base on both legs

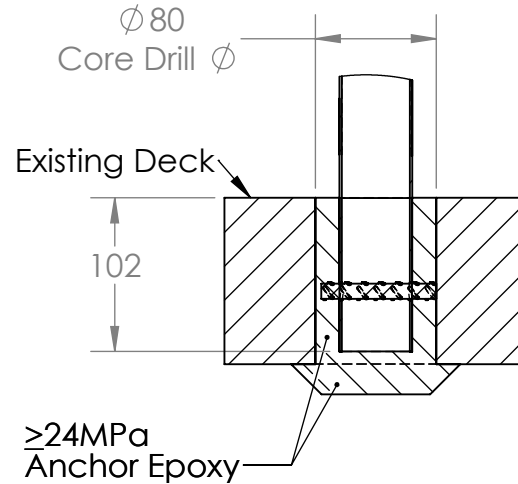


Step 2:

Insert an N12 rebar or similar steel rod to help secure the rail within the anchor epoxy.



SECTION B-B
SCALE 1 : 20



DETAIL C
SCALE 1 : 5

Step 3:

- To install your rail, core drill two 80mm holes using a rail as the marker.
- The minimum depth must be greater than the 102mm.
- Earth your rail according to national and state codes. (AS:NZS 3000)
- Do not forget to put on the optional cover plates prior to setting the rail in epoxy.
- If the deck is thru cut, create an undercut space under the existing deck and fill that with epoxy while setting the rail. The undercut will improve strength and seal the existing deck securely.
- Clean the bonding surface of dust and debris, dry surfaces are ideal, but a little moisture is sometimes allowable. Check with the supplier of the anchor epoxy.
- Before using the epoxy, carefully read and follow the manufacturer's instructions.
- With the rail in place, fill the holes completely, removing all air pockets and voids, until level with the deck surface.
- Clean any excess epoxy from the deck and rail immediately.
- Allow the epoxy to cure per the manufacturer's instructions before using the rail.

	NAME	DATE	
DRAWN	OEH	19/10/14	
APPVD			

SCALE:1:15 REVISION **A1** DO NOT SCALE DRAWING

©SRS AUSTRALIA PTY LTD

SRSSmith.

Serious Equipment - Serious Fun - Access for All
SRSAustralia PTY LTD
 12 Enterprise Street, Richlands QLD 4077
 PO Box 4416, Forest Lake QLD 4078
 P +61 7 3812 2283 | F +61 7 3812 1187