

# DAVEY EcoPure®

**ECONOMICAL,  
SIMPLE AND  
COMPACT**

## APPLICATION

Ideal for inground and above ground pools, swim spas and plunge pools. Suitable for salt, mineral salt and fresh water pools. Models suitable for pools up to 180,000 litres.



residential



commercial

## COST EFFECTIVE FIBREGLASS MEDIA FILTERS

- > Easy to use and virtually maintenance free
- > Constructed from strong corrosion and UV resistant bobbin wound fibreglass, providing long and reliable working life
- > Built-in waste port sight glass for high visibility during backwashing
- > Large media capacity providing less frequent backwashing to save water
- > Stainless steel oil filled pressure gauge makes it easy to see when backwashing is required
- > High rate design for maximum efficiency, suitable for sand, Zelbrite and glass media

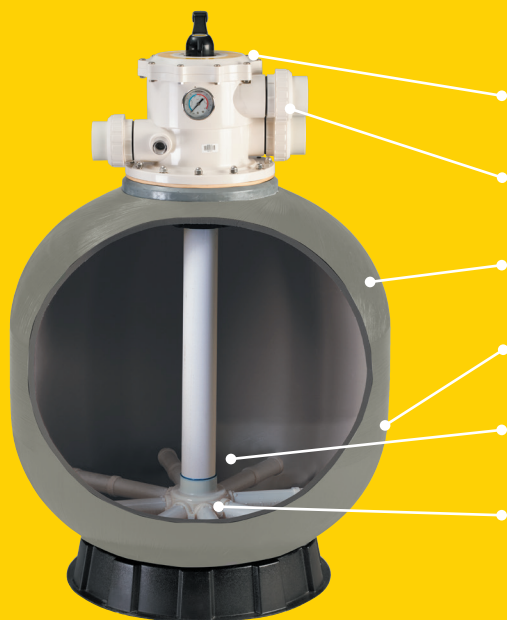


Depend on Davey

**DAVEY**

# EcoPure

## Fibreglass Media Filters



**6-way multiport valve** with sight glass and pressure gauge for optimum filter control

**Robust A.B.S. barrel unions** for easy installation and maintenance

**Cylindrical shape** provides the most efficient filtration operation

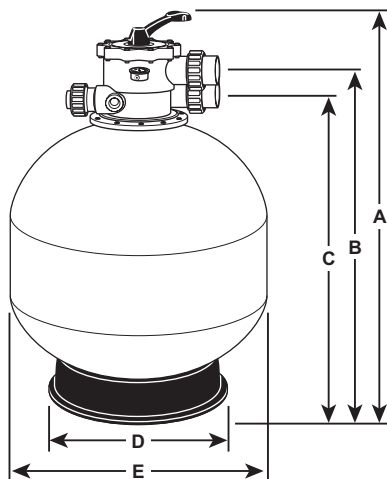
**Long life UV stabilised, filament wound fibreglass tank**

**Large media area** means better filtration with high efficiency

**Large surface area lateral** under drain for high flow and efficient backwashing

PERFORMANCE DATA & MEDIA REQUIRED	Model	Size (inches)	Sand Required (kg/bags)	Zelbrite Required (kg/bags)	Glass Required		Maximum Flow Rate (lpm)	Minimum Backwash Flow Rate (lpm)	6 Hour Turnover (litres)	Filtration Area (m <sup>2</sup> )	Max. Water Temp (°C)/ Operating Pressure (kPa)
					Fine/ Medium (kg/bags)	Medium/ Coarse (kg/bags)					
	DEP2140	21"	85/5	64/5	45/3	30/2	185	123	66,600	0.22	40/320
	DEP2540	25"	155/8	109/8	75/5	30/2	260	173	93,600	0.32	40/320
	DEP2850	28"	210/11	158/11	75/5	45/3	325	217	120,960	0.41	40/320
	DEP3250*	32"	355/18	270/18	150/10	105/7	415	277	149,400	0.53	40/370
	DEP3650*	36"	470/24	360/24	255/17	120/8	520	347	187,200	0.66	40/370
	DEP4050*	40"	600/30	465/31	420/28	180/12	650	433	234,000	0.81	40/370

### DIMENSIONS (mm)



Model	A	B	C	D	E	Inlet PVC	Outlet PVC	Waste PVC
DEP2140	844	708	648	486	510		40	
DEP2540	967	831	771	486	635		40	
DEP2850	1080	926	846	486	700		50	
DEP3250*	1180	1026	946	714	820		50	
DEP3650*	1285	1131	1051	714	920		50	
DEP4050*	1406	1252	1172	720	1016		50	

### MODEL NUMBER IDENTIFICATION

DEP	25	40
DEP = Davey EcoPure Fibreglass Tank	25 = 25 inch tank diameter	40 = 40mm multiport valve

### WARRANTY

Component	Coverage
Tank	10 years
Multiport Valve	3 years

\*Suitable for commercial installations. Warranty may vary in international markets. Contact Davey for further information.

[davey.com.au](http://davey.com.au) | [daveynz.co.nz](http://daveynz.co.nz) | [daveyeurope.eu](http://daveyeurope.eu) | [daveyusa.com](http://daveyusa.com)

This literature is not a complete guide to product usage. All images provided in this document are for illustration purposes only. Further information is available from your Davey Dealer, Davey Support Centre and from the relevant product Installation and Operating Instructions. Must be read in conjunction with the relevant product Installation and Operating Instructions and all applicable statutory requirements. Product specifications may change without notice. © Davey is a registered trademark of Davey Water Products Pty Ltd. © Davey Water Products Pty Ltd 2017.

# DAVEY

Depend on Davey