

# SUBMERSIBLE DRAINAGE PUMPS

Model Numbers: D15VA, D25VA & D40VA

DEPEND ON  
**DAVEY**

**WATER PRODUCTS**

## SUMP PUMPS

### SPECIAL FEATURES

- Double mechanical seals in oil bath (model D15VA has a single mechanical seal only) for superior reliability and long life
- Corrosion resistant 304 stainless steel shaft, motor shell and fasteners
- Solids handling vortex design to pump light slurries and water containing soft solids in suspension

### APPLICATIONS

- Grey water pumping
- Sump emptying
- Septic effluent disposal
- Water transfer
- Pumping of light slurries and factory waste



Also available in 220 volt 60Hz single phase.

### FEATURES & BENEFITS

Semi vortex, open impeller, centrifugal design

- Able to pump soft solids in suspension
- Less susceptible to blockage

D15VA models feature a special recirculation port to keep soft solids agitated in sump, improving ability to pump away such solids.

Double mechanical shaft seal in oil bath with hard faced silicon carbide/ceramic seal on pump side (D15VA models have single seals)

- Added motor protection
- Long service life

Sand slinger lip seal

- Added protection
- Long service life

Corrosive resistant 304 stainless steel motor shell and strainer

- Long service life
- Attractive, lasting appearance

High quality paint finish

- Long service life
- Attractive lasting appearance

Automatic resetting thermal overload

- Protected against overloading

HO7RNF oil resistant leads, 10 metres long with 3 pin power plug

- Easy to connect to power supply
- Longer life in dirty water

### OPERATING LIMITS

|                            |           |
|----------------------------|-----------|
| Capacities                 | 240lpm    |
| Heads to                   | 7.5m      |
| Max. submergence           | 12m       |
| Max. operating temperature | 50°C      |
| Max. soft solids           |           |
| D15VA                      | 20mm O.D. |
| D25VA                      | 25mm O.D. |
| D40VA                      | 35mm O.D. |

### Suitable Fluids

Clean or "grey water" of neutral pH containing up to 10% small soft solids or 1% fine solids. Some wear should be expected while pumping hard solids in suspension.

# TECHNICAL SPECIFICATIONS

## MATERIALS OF CONSTRUCTION

| PART                                      | MATERIAL                                     |
|---|--|
| Impeller                                  | Polycarbonate                                |
| Pump casing                               | Cast iron (D15VA-glass filled polycarbonate) |
| Mechanical seal (pump end)                | Silicon carbide/ceramic in oil bath          |
| Mechanical seal (motor end D25VA & D40VA) | Carbon/ceramic                               |
| Shaft seal elastomer                      | Nitrile rubber                               |
| Pump shaft                                | 304 stainless steel                          |
| Orings                                    | Nitrile rubber                               |
| Motor shell                               | 304 stainless steel                          |
| Handle                                    | 304 stainless steel                          |
| Fasteners                                 | 304 stainless steel                          |
| Float & power supply leads                | HO7RN-F oil resistant leads                  |

## ELECTRICAL DATA

| Model | Output (watts)* | Start Amps | Run Amps |
|-------|-----------------|------------|----------|
| D15VA | 150             | 9.0        | 1.5      |
| D25VA | 250             | 12.0       | 2.2      |
| D40VA | 400             | 10.5       | 3.7      |

\*Nominal

Supply voltage 220-240V, 50Hz single phase

## INSTALLATION & PRIMING

Use a rope to position and retrieve the pump. Do not lower or retrieve the pump using the power lead as this may damage the cable entry seals, causing water leaks and unsafe operation.

Don't use this product for recirculating or filtering swimming pools, spas, etc. While these pumps are built to high safety standards, they are not approved for installations where people will be in the water while they are operating.

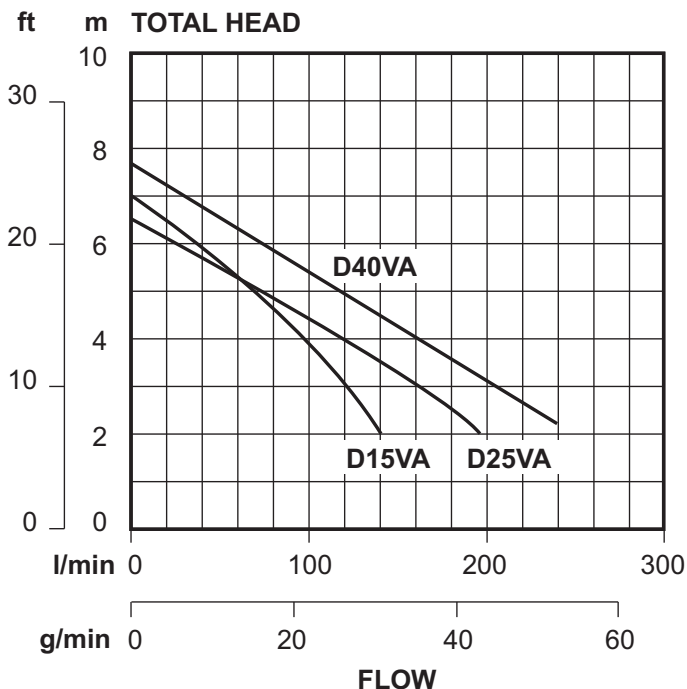
Don't pump abrasive materials. Sand and grit in the water being pumped will accelerate wear, causing shortened pump life.

Keep your pump clean, particularly in situations where lint, hair or fibrous materials may get bound around the pump shaft. Regular inspection and cleaning will extend pump life.

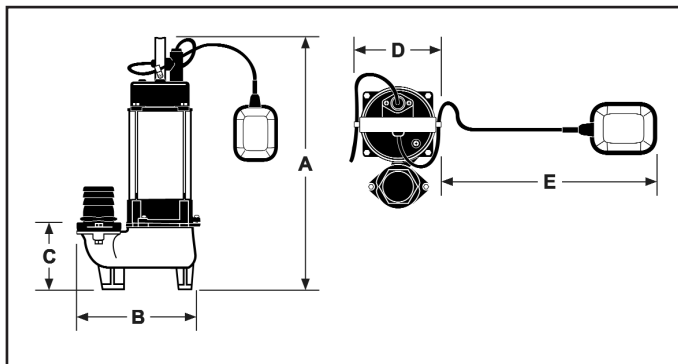
Make room for the float switch to operate. Automatic models have a float switch to turn them on when the water level rises and turn them off again when it has been pumped down to the safe operating level of the pump. If the float switch is not free to rise and fall, correct pump operation may not be possible.

Don't run your pump dry.

## HYDRAULIC PERFORMANCE



## DIMENSIONS



| Model | A   | B   | C   | D   | E (max) | Outlet BSP | Net Weight (kg) |
|-------|-----|-----|-----|-----|---------|------------|-----------------|
| D15VA | 315 | 160 | 75  | 115 | 250     | 1 1/4" F   | 5.0             |
| D25VA | 395 | 205 | 150 | 130 | 340     | 1 1/2" F   | 9.0             |
| D40VA | 440 | 205 | 150 | 130 | 360     | 2" F       | 11.0            |

All dimensions in mm unless otherwise stated.

DEPEND ON  
**DAVEY**  
WATER PRODUCTS

### Davey Water Products Pty Ltd

Member of the GUD Group  
ABN 18 066 327 517

**AUSTRALIA**  
Head Office and Manufacturing  
6 Lakeview Drive,  
Scoresby, Australia 3179  
Ph: +61 3 9730 9222  
Fax: +61 3 9753 4100  
Website: davey.com.au

**Customer Service Centre**  
Ph: 1300 369 100  
Fax: 1300 369 119  
E-mail: sales@davey.com.au

**NEW ZEALAND**  
7 Rockridge Avenue,  
Penrose, Auckland 1061  
Ph: +64 9 570 9135  
Fax: +64 9 527 7654  
E-mail: sales@daveynz.co.nz  
Website: daveynz.co.nz

**Customer Service Centre**  
Ph: 0800 654 333

**REST OF WORLD**  
6 Lakeview Drive,  
Scoresby, Australia 3179  
Ph: +61 3 9730 9121  
Fax: +61 3 9753 4248  
E-mail: export@davey.com.au  
Website: davey.com.au

