

# **TURBOFLO** ***PUMPS***

TurboFlo is a hydraulically efficient, high performance pump designed for pools and spas with high power requirements. It has an adjustable wet end which can be configured to suit up to 5 different plumbing conditions.



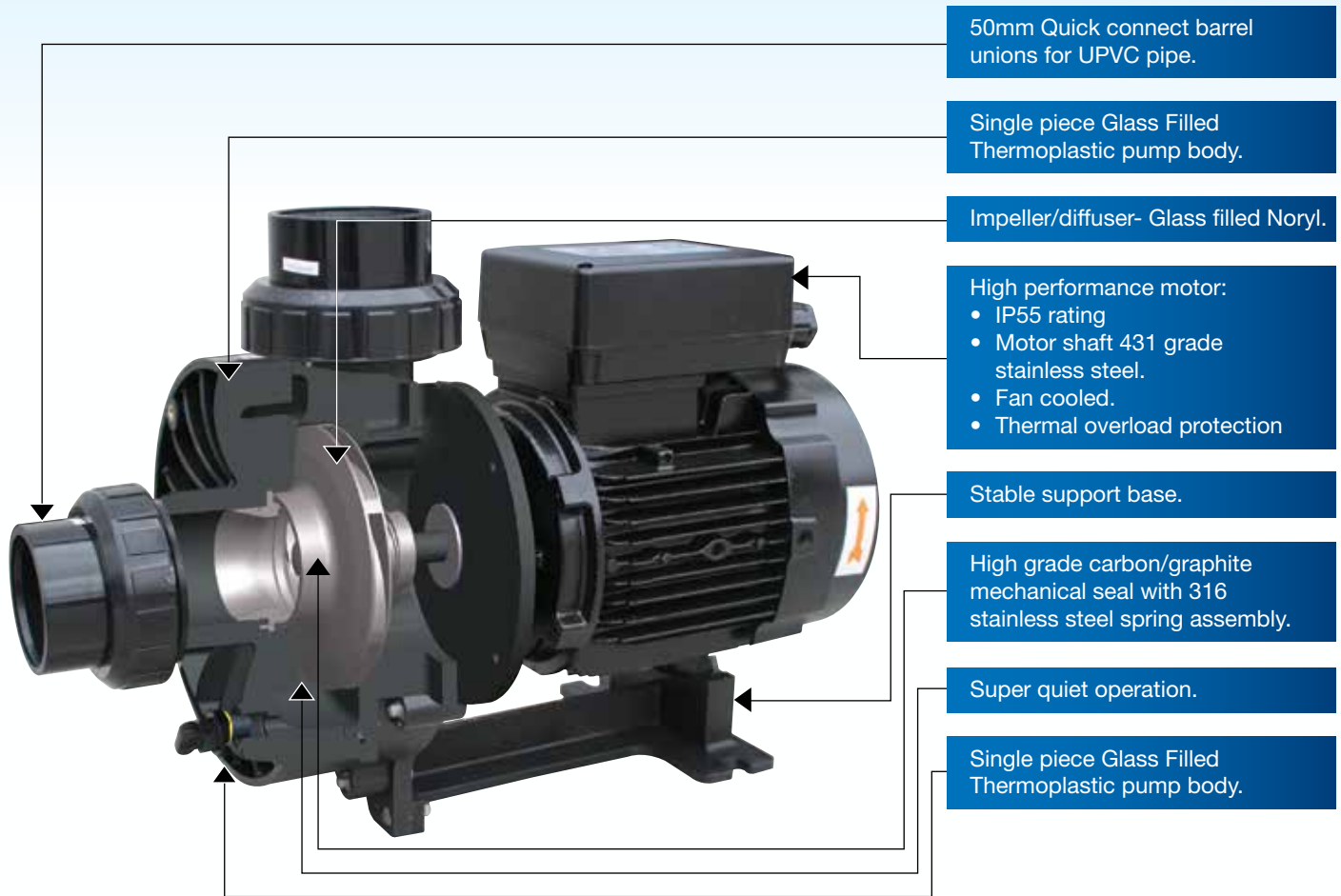
**SUPER QUIET**

## Efficient Impeller and Diffuser Design

The pump's impeller and diffuser design maximizes the hydraulic output of the pump while minimizing turbulence. The pump's efficient hydraulic performance shortens run times and reduces energy consumption leading to lower operating costs.

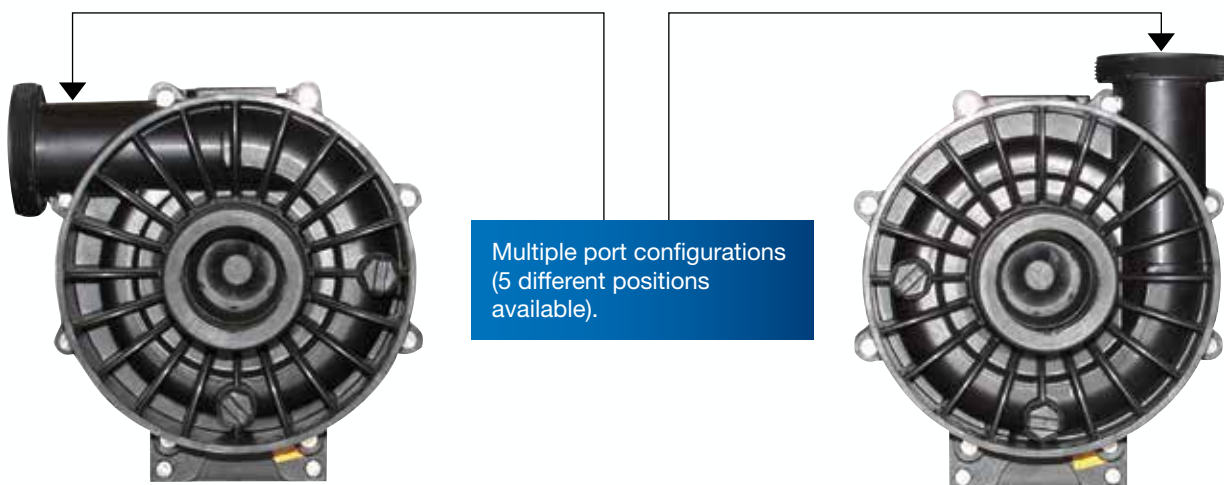
## Engineered Durability

The pump body is manufactured utilising state of the art engineering plastic moulding.

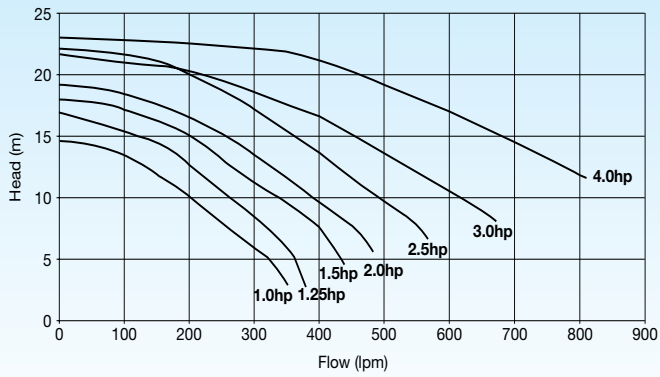


## Adjustable wet end

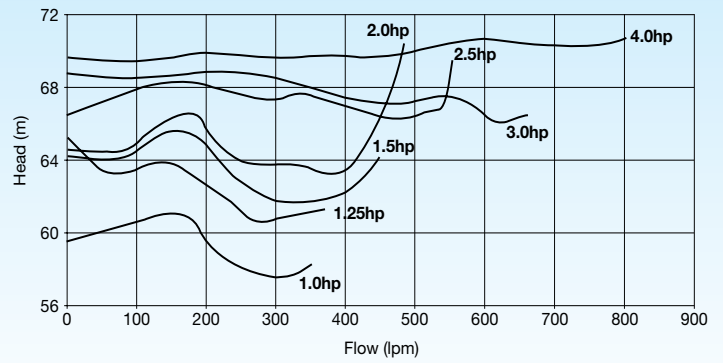
The outlet port of the TurboFlo can be configured to suit different plumbing conditions.



## Flow Curves



## Sound Levels

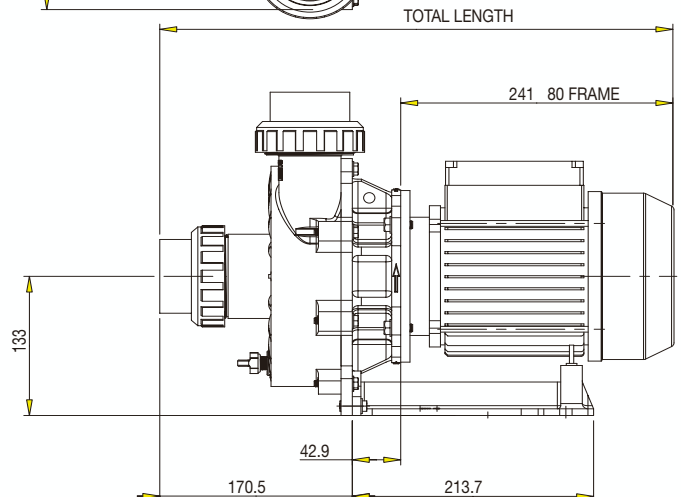
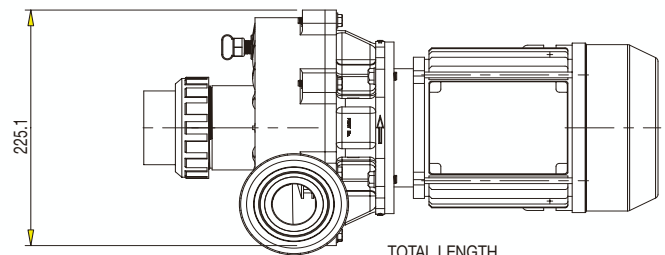
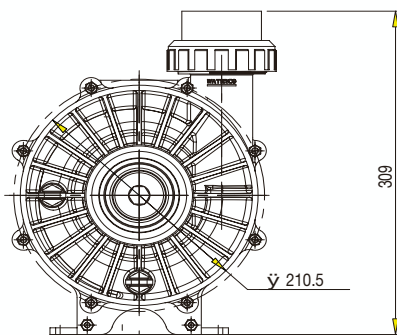
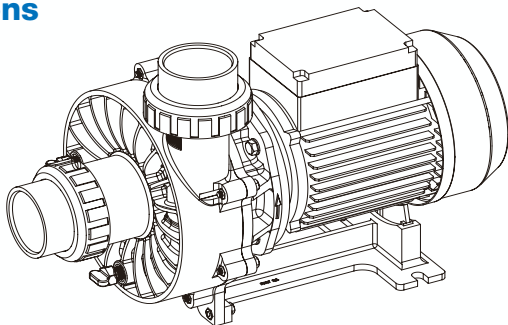


## Technical Specifications

Model	Nominal Power (hp)	Motor Input (kW)	Amps / Phase	Phase	Total Length (mm)	Motor Frame	Weight (kg)
Turboflo 100	1.00	0.94	4.1	1	445	71	10.4
Turboflo 125	1.25	1.05	4.5	1	445	71	10.4
Turboflo 150	1.50	1.40	5.9	1	445	80	13.4
Turboflo 200	2.00	1.50	6.4	1	445	80	13.4
Turboflo 250	2.50	1.70	7.2	1	445	80	14.6
Turboflo 300	3.00	2.10	9.1	1	483	90	16.9
Turboflo 400	4.00	3.10	5.7	3	508	100	20.2

Phase	Volts	Cycle	RPM
1	220-240	50	2860
3	380-420	50	2860

## Dimensions



## Warranty

<b>Pumps</b>	3 years (conditional)
Wet End	3 years
Motor, Mechanical seal, Hair & lint pot, pot lid & o'ring, basket, Impeller & diffuser	2 years
Commercial applications	1 years
Labour	1 years

\* Please refer to Waterco's warranty terms and conditions



Established since 1981, Waterco is an Australian public listed company involved in the manufacture and distribution of:

- Swimming pool/spa equipment and chemicals
- Domestic water filters, softeners and purifiers
- Commercial and Industrial water treatment equipment.

Waterco's research & development team has created an innovative range of award winning products.

The company's advanced fibreglass winding and pioneering plastic moulding techniques have delivered premium quality products to over 40 countries via its branches operating in Australia, New Zealand, Malaysia, China, the United Kingdom, United States of America, Canada, Indonesia and Singapore.



**OFFICES - AUSTRALIA**

NSW - Sydney (Head Office)  
Tel: +61 2 9898 8600  
QLD - Brisbane  
Tel: +61 7 3299 9900  
VIC/TAS - Melbourne  
Tel: +61 3 9764 1211  
WA - Perth  
Tel: +61 8 9273 1900  
SA/NT - Adelaide  
Tel: +61 8 8244 6000  
ACT Distribution  
Tel: +61 2 6280 6476

**OFFICES - OVERSEAS**

Waterco (Europe) Limited  
Sittingbourne, Kent, UK  
Tel: +44 (0) 1795 521 733  
Waterco (USA) Inc  
Augusta, Georgia, USA  
Tel: +1 706 793 7291  
Waterco Canada  
Longueuil, Quebec, Canada  
Tel: +1 450 748 1421  
Waterco (NZ) Limited  
Auckland, New Zealand  
Tel: +64 9 525 7570

Waterco (C) Limited  
Guangzhou, China  
Tel: +86 20 3222 2180

Waterco (Far East) Sdn Bhd  
Selangor, Malaysia  
Tel: +60 3 6145 6000

PT Waterco Indonesia  
Jakarta, Indonesia  
Tel: +62 21 4585 1481

Waterco Singapore Intl Pte Ltd  
Nehsons Building, Singapore  
Tel: +65 6344 2378

Waterco France  
SAINT PRIEST, France.  
Tel: +33 4 72 79 33 30

**DISTRIBUTED BY:**

**WATERCO**  
water, the liquid of life

