

PUMPS/ PUMPEN/ POMPES/ PUMPUT

Owners Manual Installations- & Betriebs- Anleitung Notice d'utilisation Ohjekirja



Including



LACRON 

BAKER HYDRO

⚠ WARNING

This equipment must be installed and serviced by a qualified technician. Improper installation can create electrical hazards which could result in property damage, serious injury or death. Improper installation will void the warranty.



Notice to Installer

This manual contains important information about the installation, operation and safe use of this product. Once the product has been installed **this manual must be given to the owner/ operator of this equipment.**

WATERCO
water, the liquid of life

www.waterco.com

Table of Contents

LOCATION	01
INSTALLATION	01
ELECTRICAL CONNECTION	02
THREE PHASE MOTOR	02
WIRING DIAGRAM	02
PRIMING	03
MAINTENANCE	04
FLUID TEMPERATURE	04
SERVICING	04
GENERAL SAFETY RULES	05
WARNINGS FOR INSTALLATION AND ASSEMBLY TASKE	06
WARNINGS FOR ASSEMBLY AND MAINTENANCE TASKE	06
TROUBLESHOOTING	07

LOCATION

The pump must be located as close as practical to the pool. The pump must also be in a position that enables easy access for periodic servicing.

Care must also be taken to position the pump in an area that is free from flooding in a well ventilated and dry area.

INSTALLATION

Waterco Limited use the latest technology when designing and manufacturing our pumps, a few simple precautions during installation will ensure years of trouble free operation.

1. The pump suction line should be not smaller than 1 1/2" (40mm imperial) or 50mm true metric.
2. The suction line is to have as few bends or elbows as possible. There must not be an air trap on the suction line.
3. Use only the pump barrel unions supplied with the pump.
4. Bolt the pump to the required position (prevent movement).
5. The pump electrical cable must be wired for the proper voltage and rotation in accordance with the wiring instructions.
6. All wiring (electrical) work must be carried out by licensed electricians and must be installed in accordance to the local codes.
7. The motor must be grounded.
8. The weight of the plumbing and fittings is to be independently supported and not carried by the pump.

~ IMPORTANT ELECTRICAL NOTICE ~

The electrical installation is to be done by a licensed electrician.

Each pump requires a circuit breaker to separate the pump from the electrical supply. The contact separation has to provide full disconnection in all poles under overvoltage category III conditions.

*If the pump is to be installed on a swimming pool or pond situation it is **MANDATORY** that an earth leakage circuit breaker with a rated tripping current not exceeding **30mA** be installed.*

Check the pumps name plate for the following: Voltage, Amp draw and Cycle.

*The power cord, including the ground wire shall have a quality of **245 IEC66 (H07RN-F)** for models **greater than 1Kw** power input.*

*For models less than **1Kw** input the quality shall be of **245 IEC57 (H05RN-F)**.*

*All installations must comply with local codes, based on **IEC 364-7-702** requirements.*

• RESPECT THE MINIMUM GAUGE GIVEN IN THE CHART OF THE TECHNICAL MANUAL.

ELECTRICAL CONNECTION

Check that the information on the nameplate corresponds to the power supply.

Employ a competent electrician to ensure wiring installation is made in accordance with any local electrical codes. Every motor requires either a **fused disconnect switch or a circuit breaker**. **A SINGLE PHASE MOTOR** has a built in thermal overload switch.

THREE PHASE MOTOR

THREE PHASE MOTORS requires a starter switch or magnetic starter with correctly sized overload protection in addition to the fused disconnect switch.

CHECK THE ROTATION OF THREE PHASE MOTORS.

The motor is only suitable for clockwise operation when viewed from the motor end fan (cowl) cover.

Three phase motors could rotate in either direction. Changing any 2 wires of the cable on a three phase motor will reverse the direction of rotation. To check the rotation of the motor, turn on for approximately 1 second. If it is running in the wrong direction turn off power and interchanging any 2 wires and repeat the above step to check.

When installing three phase pumps a separate device must be available for permanent installation, this is so the pump can be isolated from the mains power. **A contact distance of 3mm per pole is required for both three phase and single phase units.**

Motor protection **MUST** be installed corresponding to the nominal current of the motor. **SEE VALUE ON RATING PLATE.**

It is the **RESPONSIBILITY** of the user to ensure adequate protection between the motor and the power supply.

The installer must protect all three phases on the supply of the motor so that the pump cannot run on 1 or 2 phases only.

⚠ WARNING

Before disconnecting electrical connections, shut off the electricity at its source:

EXAMPLE : The fuse or circuit breaker box. Before work is carried out on the pump ensure the pump switch or timers are turned off and **MAKE CERTAIN THE MAINS POWER IS SWITCHED OFF.**

WIRING DIAGRAM

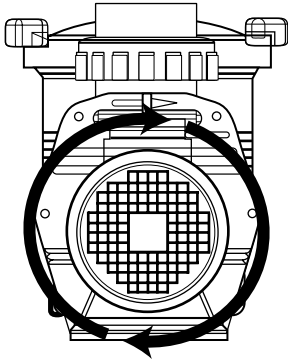
• SINGLE PHASE



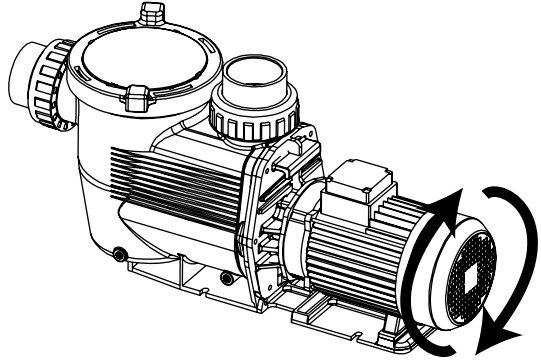
• THREE PHASE



• ROTATION OF 3 PHASE PUMP



CLOCKWISE ROTATION



PRIMING

The Waterco Limited pump will prime and re prime providing the hair and lint pot bowl is full of water and there is sufficient supply from the suction point.

If you lose water from the hair and lint pot bowl it will be necessary to re fill it before starting.

1. Remove the clear lid and fill the hair and lint pot bowl with water.
2. Replace the lid ensuring **the o-ring is correctly** located and start the pump.

After you have done this allow a **few minutes (maximum)** for the pump to start delivering water.

⚠ WARNING

High suction lift or long suction lines will require additional time to prime and can severely affect the performance of the pump. If the pump will not prime, (flow) repeat step 1 and 2 above.

⚠ WARNING

Mechanical seals if allowed to run dry can be damaged rapidly and may need to be replaced.

ENSURE that there is always adequate water in the hair and lint pot bowl before you commence start up.

If you are unable to prime the pump please see the trouble-shooting guide.

*Ensure all **suction and discharge** valves are open before you start the pump, operating the pump with these valves shut can damage the pump.*

MAINTENANCE

The strainer basket in the hair and lint pot bowl should be inspected and cleaned at **regular intervals**.

1. Remove lid and lift out basket.
2. Remove debris and hose off with clean water if necessary.
3. Inspect the lid gasket, lubricate with **SILICON** based grease only if needed.
If it is damaged replace.
4. Replace the strainer.
5. Re-prime the hair and lint pot bowl.
6. Correctly locate the o-ring.
7. Replace the lid (**hand tighten**) only.
8. Switch on pump.

In Climates where the pump may be **exposed to frost or freezing**, care must be taken to ensure the pump is protected from damage.

It is recommended that if the pump is not used during this winter period it should be **drained completely**.

Waterco Limited supply drain plugs for this purpose.

Do not replace the drain plug. Store it in a safe place until you require the use of the pump.
An example would be within the hair and lint pot bowl basket.

If at all possible remove the pump away and store it in a dry location during this period.

When you re activate the pump ensure all seals and o-rings are in operational condition, re-grease if necessary (**replace**) if unsure of condition.

- *Check that the motor shaft moves freely before re-activation.*

FLUID TEMPERATURE

The permissible temperature is **> than 0°C and < than 35°C**. The pump should never be operated outside of these temperatures or damage may occur.

SERVICING

If the need arises or you are unable to service your Waterco Limited pump always contact your **authorized Waterco Limited Service agent** for advise or infield service.

- *Always use genuine Waterco Limited replacement parts when carrying out pump maintenance.*

GENERAL SAFETY RULES

1. The machines mentioned in the manual are specially designed for the pre-filtering and re-circulation of water in swimming pools.
2. They are designed to work with clean water at a temperature not exceeding **35 degrees Celsius (95 degrees Fahrenheit)**.
3. The installation should be carried out in accordance to the safety instructions of swimming pools, **especially Standard HD 384.7.702**, and the specific instructions for each facility.
4. The rules enforce on accident prevention should be carefully followed.
5. Any modification of the pump requires the **prior consent of the manufacturer**. Original replacement parts and accessories authorized by the manufacturer ensure a high level of safety. The manufacturer of the pump assumes no liability for the damage and injuries **caused by unauthorized replacement parts and accessories**.
6. During operation, some parts of the pump are subject to dangerous electric voltage. Work may only be performed on each pump or on the equipment connected to it after **disconnecting them from the mains power, and after disconnecting the starting device**.
7. The user should make sure that assembly and maintenance tasks are carried out by **qualified authorized persons** and that these persons have first carefully read the instructions for service and installation.
8. The operating safety of the pump is only guaranteed if the installation and service instructions are correctly followed.
9. The limit values stated in the Technical table **should not be exceeded under any condition**.
10. In the event of defective operation or fault, contact the technical support department of the manufacturer or its nearest authorized agents.
11. If the supply cord is damaged, it must be replaced by an authorized service agent.
12. This appliance is not intended for use by persons (including children) with reduced physical, sensory or mental capabilities, or lack of experience and knowledge, unless they have been given supervision or instruction concerning use of the appliance or instruction concerning use of the appliance.
13. Children should be supervised to ensure that they do not play with the appliance.

WARNINGS FOR INSTALLATION AND ASSEMBLY TASKS

1. When connecting electric cables to the motor of the pump, be careful to correctly arrange them inside the connection box, verify that no bits of cable are left inside the box on closing it. **See that the earth wire is correctly connected.** When connecting the motor, follow the wiring diagram supplied with the pump.
2. Be especially careful **that no water enters the motor or electrical parts under voltage.**
3. In the event that the planned use is not as specified, adaptations and supplementary technical rules may be necessary.

• **WARNINGS FOR START UP**

Before starting the pump, verify the calibration of the electrical protection devices of the motor and that the protections against electrical and mechanical contacts are correctly positioned and attached.

WARNINGS FOR ASSEMBLY AND MAINTENANCE TASKS

1. **Be especially careful that no water enters the motor or the electrical parts under voltage.**
2. Avoid all contact, even accidental, with the moving parts of the pump.
3. Wait until the pump has stopped completely before handling it in any way.
4. **Before carrying out electrical or mechanical maintenance tasks, make sure that the machine has been disconnected from the mains and that starting devices have been locked.**
5. It is advisable to follow the steps listed below before handling the pump in any way.
 - a) Turn off the voltage to the pump.
 - b) Lock starting devices.
 - c) Verify that there is no voltage in the circuits, including ancillary devices and auxiliary circuits.
 - d) Wait until motor stops completely.

The above list should be considered indicative and not binding for the purpose of safety; specific safety rules may exist in particular regulations.

Regularly verify:

1. The correct attachments of the mechanical parts and of the support screws of the pump.
2. The correct position, attachment and condition of the supply cables and of the insulating parts.
3. The temperature of the motor. In the event of any irregularity stop the machine immediately and have it repaired.
4. The vibration of the pump. In the case of any irregularity, stop the machine immediately and have it repaired.

Owing to the complexity of the cases covered, the instructions for installation, use and maintenance contained in this manual do not attempt to examine all possible and imaginable cases of service and maintenance. If supplementary instructions are required or if special problems arise, do not hesitate to contact the distributor or to address directly the manufacturer of the pump.

TROUBLE SHOOTING

SYMPTOMS	PROBABLE CAUSE	ACTION
1. PUMP WILL NOT PRIME	Suction air leak	Make sure water level is correct through suction points. Ensure baskets and strainers are free of debris. Tighten all fittings / unions on the suction side of the pump, remove and replace mechanical seal.
	No water in the pump	Make sure hair and lint pot is full.
	Closed valves or blocked lines	Open all valves in system, clean skimmer and pump basket, check pump impeller of blockage.
2. MOTOR WILL NOT RUN	No power to motor	Check that all electrical switches are on. Ensure the circuit breakers are properly set. Check if timer is set properly. Check motor wiring at terminals.
	Pump jammed	With power switched off turn pump shaft (should spin freely). If not contact electrician or nearest Waterco Limited branch for service.
3. LOW FLOW	Dirty filter	Backwash or clean cartridge.
	Dirty Skimmer and Pump strainer	Clean skimmer and pump strainer.
	Suction air leak	See 1.
	Closed valve or blocked line	See 1.
4. MOTOR RUNS HOT	Low or incorrect voltage	Supply to be corrected by Electrician. Motors run hot to touch and is normal. Thermal overload protector will function to turn them off if there is an overload or high temperature problem.
	Installed in direct sunlight	Shield from the weather.
	Poor ventilation	Do not tightly cover or enclose motor.
5. NOISY PUMP OPERATION	Bad bearing	Have electrician replace.
	Air leak in suction	See 1.
	Suction blockage	Locate and clear blockage.
	Foreign matter in impeller	Dismantle pump and remove foreign matter and debris from around impeller.
	Cavitations	Improve suction, reduce suction lift, reduce number of fittings, increase pipe size, increase discharge pressure and reduce flow by throttling discharge valve.
6. MOTOR OVER LOAD CUTS OUT	Motor not connected properly	Have electrician check wiring.
	Low incoming voltage	Have electrician check voltage, ensure pump is not running on an extension cord. Report low supply to authorities.
	Over load due to binding in pump or wrong size impeller	Contact Waterco Limited for service.

Warning: If the Waterco Limited pump is within the stated warranty period and you experience faults always contact your supplier or the nearest Waterco Limited branch for advice. Failure to do this may void warranty. Refer to warranty documentation supplied with pump.

All electrical work is to be carried out by a Qualified Electrician; under no circumstances should you attempt repairs on the electrical components of Waterco Limited pumps unless you are qualified to do so.

Table of Contents

ORT	09
INSTALLATION	09
ELEKTRISCHE ANSCHLÜSSE	10
DREHSTROMMOTOR	10
ANSCHLUSSBILD	11
ANSAUGEN	12
WARTUNG	13
FLÜSSIGKEITSTEMPERATUR	13
WARTUNG	13
ALLGEMEINE SICHERHEITSBESTIMMUNGEN	14
WARNUNGEN IN BEZUG AUF INSTALLATIONS - UND MONTAGEARBEITEN	15
WARNUNGEN IN BEZUG AUF MONTAGE - UND WARTUNGSARBEITEN	16
FEHLERSUCHE	17

ORT

Die Pumpe ist praktisch und in nächster Nähe des Swimmingpools zu platzieren. Die Pumpe muss sich außerdem in einer Position befinden, die leichten Zugang für periodische Wartung ermöglicht.

Ebenso ist darauf zu achten, dass die Pumpe in einem Bereich installiert wird, der keiner Überschwemmung ausgesetzt ist, d.h. in einem gut belüfteten, trockenen Bereich.

INSTALLATION

Das Unternehmen Waterco Limited verwendet modernste Technologie bei der Konstruktion und Fertigung unserer Pumpen; einige einfache Vorsichtsmaßnahmen bei der Installation werden jahrelangen, störungsfreien Betrieb sicherstellen.

1. Die Ansaugleitung der Pumpe sollte nicht kleiner als **50 mm bzw. 11/2" sein**.
2. Die Ansaugleitung soll so wenig Krümmer bzw. Winkelverschraubungen wie möglich aufweisen.
3. Verwenden Sie nur die mit der Pumpe gelieferten **Pumpen-Anschlußverschraubungen**.
4. Befestigen Sie die Pumpe mit Bolzen in der erforderlichen Position (verhindert Verschieben).
5. **Die Stromkabel der Pumpe sind der geeigneten Spannung und korrekten Drehrichtung entsprechend, in Übereinstimmung mit den Verdrahtungs-anweisungen, anzubringen.**
6. Alle Verdrahtungs- bzw. Elektroarbeiten sind von qualifizierten Elektrikern und in Übereinstimmung mit örtlichen Vorschriften auszuführen.
7. Der Motor ist zu erden.
8. Das Gewicht der Rohre und Zubehörteile ist unabhängig zu unterstützen und nicht von der Pumpe zu tragen.

~ WICHTIGE ELEKTRO-HINWEISE ~

Die elektrische Installation ist von einem qualifizierten Elektriker vorzunehmen.

Jede Pumpe benötigt einen Leistungsschutzschalter, um die Pumpe von der Stromversorgung zu trennen. der Kontaktabstand soll eine volle Abschaltung unter den Bedingungen der Überspannungskategorie III sichern.

Wird die Pumpe in einer Swimmingpool- oder Teichanlage installiert, ist es **OBLIGATORISCH** einen Fehlerstrom-Schutzschalter mit einem bemessenen Auslösestrom von nicht mehr als **30 mA** zu installieren.

Überprüfen Sie das Typenschild der Pumpe auf folgendes: Spannung, Stromstärke und Hertz.

Das Stromkabel, einschließlich des Erdleiters, soll die Qualität **245 IEC66 (H07RN-F)** für Modelle **größer als 1 kW** Leistungsaufnahme aufweisen.

Für Modelle **kleiner als 1 kW** soll die Qualität **245 IEC57 (H05RN-F)** sein.

Alle Installationen müssen örtliche Vorschriften erfüllen, denen die Anforderungen **IEC 364-7-702** zu Grunde liegen.

- **DIE IN DER TABELLE DES TECHNISCHEN HANDBUCHS ANGEGEBENE MINDESTSTÄRKE BEACHTEN.**

ELEKTRISCHE ANSCHLÜSSE

Überprüfen Sie, dass die Angaben auf dem Typenschild mit der Stromversorgung übereinstimmen. Beauftragen Sie einen qualifizierten Elektriker, um sicherzustellen, dass die Verdrahtungsarbeit in Übereinstimmung mit örtlichen Vorschriften geschieht. Jeder Motor benötigt entweder einen, **mit einer Sicherung versehenen, Trennschalter, oder einen Leistungsschutzschalter.**

Ein **WECHSELSTROMMOTOR** besitzt einen eingebauten thermischen Überlastschalter.

DREHSTROMMOTOR

Zusätzlich zu dem mit einer Sicherung versehenen Trennschalter benötigt ein **DREHSTROMMOTOR** einen Starter bzw. Magnetstarter mit korrekt bemessenem Überlastschutz.

PRÜFEN SIE DIE DREHRICHTUNG DES DREHSTROMMOTORS.

Vom Motorende (Ventilatordeckel) aus betrachtet, eignet sich der Motor nur für Drehung im Uhrzeigersinn.

Der Drehstrommotor kann sich in der einen oder anderen Richtung drehen. Wechseln eines der Kabel an einem Drehstrommotor kehrt die Drehrichtung um. Zur Überprüfung der Drehrichtung des Motors ist dieser 1 Sekunde lang einzuschalten. Dreht er sich in der falschen Richtung, ist der Strom auszuschalten und der obige Überprüfungsschritt zu wiederholen.

Bei der Installation einer dreiphasigen Pumpe, muss eine Trennvorrichtung für permanenten Einbau zur Verfügung stehen, damit die Pumpe vom Netzstrom isoliert werden kann. **Ein Kontaktabstand von 3 mm pro Pol ist erforderlich, für dreiphasige und einphasige Pumpen.**

Motorschutz MUSS dem Nennstrom des Motors entsprechend installiert werden. **SIEHE WERT AUF DEM LEISTUNGSSCHILD.**

Es obliegt der **VERANTWORTLICHKEIT** des Anwenders angemessenen Schutz zwischen dem Motor und der Stromversorgung sicherzustellen.

Der Installateur muss alle drei Phasen an der Versorgung des Motors schützen, damit die Pumpe nicht nur mit 1 oder 2 Phasen laufen kann.

⚠ ACHTUNG!

*Vor dem Trennen elektrischer Anschlüsse ist der Strom an seiner Quelle, z.B. am Sicherungs- oder Leistungsschalterkasten abzuschalten. Vor Durchführung von Arbeiten an der Pumpe ist sicherzustellen, dass der Pumpenschalter bzw. die Zeitgeber ausgeschaltet sind. **STELLEN SIE SICHER, DASS DER NETZSTROM AUSGESCHALTET IST.***

ANSCHLUSSBILD

• EINPHASIG



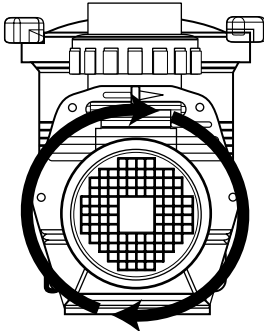
Blau = Neutral
Braun = Stromführend
Grün/ Gelb = Erde

• DREIPHASIG

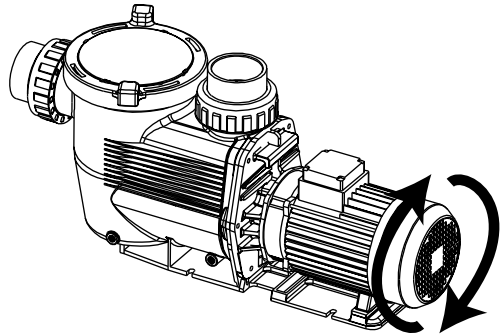


Schwarz = L3
Blau = L2
Brain = L1
Grün/ Gelb = Erde

• DREHRICHTUNG DER PUMPE MIT DREHSTROMMOTOR



DREHUNG IM UHRZEIGERSINN



ANSAUGEN

Die Pumpe von Waterco Limited wird immer wieder erneut ansaugen, vorausgesetzt, dass der Filterkorbtopf voll Wasser ist, und vom Ansaugpunkt genügend Wasservorrat zur Verfügung steht.

Falls Sie Wasser aus dem Filterkorbtopf verlieren, muss dieser vor Starten wieder gefüllt werden.

1. Entfernen Sie den klaren Deckel und füllen Sie den Filterkorbtopf mit Wasser.
2. Den Deckel wieder aufsetzen, und dabei auf **korrekte Lage des O-Rings achten**, dann die Pumpe starten.

Danach **einige Minuten (Maximum) warten**, bis die Pumpe Wasser zu fördern beginnt.

⚠ ACHTUNG!

Hoher Ansaughub oder lange Ansaugleitungen benötigen zusätzliche Zeit zum Ansaugen und können die Leistung der Pumpe stark beeinträchtigen.

Falls die Pumpe nicht ansaugt (fluss), sind die obigen Schritte 1 und 2 zu wiederholen.

⚠ ACHTUNG!

*Gleitringdichtungen können sehr schnell beschädigt werden, wenn man Trockenlauf zulässt, und sind nötigenfalls zu ersetzen. **STELLEN SIE SICHER**, dass stets genügend Wasser in der Filterkorbschale vorhanden ist, bevor Sie mit der Inbetriebnahme beginnen.*

Sehen Sie bitte in der Anleitung für Fehlersuche nach, falls Sie die Pumpe nicht vorfüllen können.

*Achten Sie darauf, dass **alle Ansaug- und Förderstromventile offen sind**, bevor Sie die Pumpe starten. Betreiben der Pumpe, wenn diese Ventile geschlossen sind, kann zur Beschädigung der Pumpe führen.*

WARTUNG

Der Filterkorb ist in regelmäßigen Abständen zu inspizieren und zu reinigen.

1. Deckel abnehmen und den Korb herausheben.
2. Verunreinigungen entfernen und den Korb nötigenfalls mit sauberem Wasser abspritzen.
3. Deckeldichtung inspizieren und nur wenn erforderlich mit Fett auf **SILICON**-Basis schmieren. Beschädigte Dichtungen sind zu ersetzen.
4. Filterkorb wieder einsetzen.
5. Filterkorbschale wieder vorfüllen.
6. O-Ring korrekt platzieren.
7. Deckel wieder anbringen (**nur fingerfest anziehen**).
8. Pumpe einschalten.

In Klimazonen, wo die Pumpe möglicherweise **Frost- oder Gefrierbedingungen ausgesetzt ist**, muss man sicherstellen, dass die Pumpe vor Beschädigung geschützt wird.

Völlige Entleerung der Pumpe wird **empfohlen**, wenn sie in der Winterzeit nicht zum Einsatz kommt.

Waterco Limited liefert Ablasschrauben gerade für diesen Zweck.

Die Ablasschraube nicht wieder eindrehen, sondern an einem sicheren Ort aufbewahren, **z. B. im Filterkorb**, bis Sie die Pumpe wieder brauchen.

Wenn irgend möglich, ist die Pumpe auszubauen und während dieser Zeit an einem trockenen Ort aufzubewahren.

Bei Reaktivieren der Pumpe ist darauf zu achten, dass sich alle Dichtungen und O-Ringe in betriebsfähigem Zustand befinden; nötigenfalls neu einfetten bzw. **ersetzen**, wenn Zweifel hinsichtlich Zustand vorliegen.

- ***Vor Reaktivieren ist die Motorwelle auf freie Bewegung zu überprüfen.***

FLÜSSIGKEITSTEMPERATUR

Die zulässige Temperatur ist **> als 0°C und < als 35°C**. Die Pumpe ist keinesfalls außerhalb dieser Temperaturen zu betreiben. Nichtbeachtung kann Beschädigung zur Folge haben.

WARTUNG

Nötigenfalls, oder wenn Sie nicht in der Lage sind, Ihre Pumpe von Waterco Limited zu warten, kontaktieren Sie stets Ihren **bevollmächtigten Servicevertreter von Waterco Limited** zwecks Beratung oder Service vor Ort.

- ***Bei Pumpenwartung, nötigenfalls stets Originalersatzteile von Waterco Limited verwenden.***

ALLGEMEINE SICHERHEITSBESTIMMUNGEN

1. Die in dieser Anleitung erwähnten Maschinen sind speziell für das Vorfiltrern und den Umlauf von Wasser in Swimmingpools konstruiert.
2. Sie sind konzipiert mit sauberem Wasser bei Temperaturen zu arbeiten, die **35 Grad Celsius (95 Grad Fahrenheit)** nicht überschreiten.
3. Die Installation ist in Übereinstimmung mit den Sicherheitsanweisungen für Swimmingpools, **insbesondere der Norm HD 384.7.702** und den spezifischen Anweisungen für jede Einrichtung, auszuführen.
4. Den für Unfallschutz geltenden Bestimmungen ist sorgfältig Folge zu leisten.
5. Jede Modifikation der Pumpe bedarf der **vorherigen Zustimmung des Herstellers**. Vom Hersteller autorisierte Originale Ersatz- und Zubehörteile gewährleisten ein hohes Niveau an Sicherheit. Der Pumpenhersteller übernimmt keine Haftbarkeit für durch **Verwendung nicht autorisierter Ersatz- und Zubehörteile** verursachte Schäden und Verletzungen.
6. Während des Betriebs unterliegen einige Teile der Pumpe gefährlicher elektrischer Spannung. Arbeiten an jeder Pumpe oder an der daran angeschlossenen Ausrüstung dürfen erst **nach deren Abklemmen vom Netzstrom und nach Abklemmen der Startvorrichtung vorgenommen werden**.
7. Der Benutzer sollte sicherstellen, dass die Montage- und Wartungsarbeiten von **qualifizierten zugelassenen Personen** ausgeführt werden. Dabei ist zu gewährleisten, dass diese Personen zuerst die Anweisungen für Service und Installation sorgfältig durchgelesen haben.
8. Die Betriebssicherheit der Pumpe ist nur garantiert, wenn die Installations- und Serviceanweisungen korrekt befolgt werden.
9. Die in der technischen Tabelle angegebenen Grenzwerte **sind keinesfalls zu überschreiten**.
10. Im Falle defekter Funktion oder eines Mangels, kontaktieren Sie bitte die technische Betriebsabteilung des Herstellers oder seine nächstgelegene Vertretung.
11. Wenn das Zuleitungskabel beschädigt ist, muss es bei einem zugelassenen Fachman ersetzt werden.
12. Dieses Gerät ist nicht dafür bestimmt, durch Personen (einschliesslich Kinder) mit eingeschränkten physischen, sensorischen oder geistigen Fähigkeiten oder mangels Erfahrung und/oder mangels Wissen benutzt zu werden, es sei denn, sie werden durch eine für ihre Sicherheit zuständige Person beaufsichtigt oder erhalten von ihr Anweisungen, wie das Gerät zu benutzen ist. Kinder sollten beaufsichtigt werden, um sicherzustellen, dass sie nicht mit dem Gerät spielen.
13. Beaufsichtigen Sie Kinder, die sich in der Nähe des Gerätes aufhalten. Lassen Sie Kinder nie mit dem Gerät spielen.

WARNUNGEN IN BEZUG AUF INSTALLATIONS - UND MONTAGEARBEITEN

1. Beim Anschließen elektrischer Kabel an den Pumpenmotor, ist sorgfältig darauf zu achten, sie korrekt im Anschlusskasten anzuordnen. Vergewissern Sie sich vor dem Schließen, dass keine Kabelstückchen im Kasten zurückgelassen worden sind. **Achten Sie darauf, dass der Erdleiter korrekt angeschlossen ist.** Beim Anschließen des Motors ist nach dem mit der Pumpe mitgelieferten Schaltplan zu verfahren.
2. Achten Sie besonders sorgfältig darauf, **dass kein Wasser in den Motor oder in die unter Spannung stehenden Teile eindringt.**
3. Für den Fall, dass die geplante Verwendung nicht der spezifizierten entspricht, sind möglicherweise Anpassungen und zusätzliche technische Bestimmungen erforderlich.

WARNUNGEN BEZÜGLICH STARTEN

- *Vor Starten der Pumpe ist die Eichung bzw. Kalibrierung der elektrischen Schutzvorrichtungen des Motors zu verifizieren, und dass sich alle Schutze gegen Berührung elektrischer oder mechanischer Kontakte an Ort und Stelle befinden.*

WARNUNGEN IN BEZUG AUF MONTAGE - UND WARTUNGSARBEITEN

1. **Achten Sie besonders sorgfältig darauf, dass kein Wasser in den Motor oder in die unter Spannung stehenden elektrischen Teile eindringt.**
2. Vermeiden Sie jeglichen, selbst zufälligen, Kontakt mit den beweglichen Teilen der Pumpe.
3. Warten Sie bis die Pumpe völlig zum Stillstand gekommen ist, bevor Sie diese auf irgendeine Weise handhaben.
4. **Stellen Sie vor Durchführen elektrischer oder mechanischer Wartungsarbeiten sicher, dass die Maschine vom Netz abgeklemmt ist und die Startvorrichtungen verriegelt worden sind.**
5. Es ist ratsam, die unten aufgeführten Schritte zu befolgen, bevor die Pumpe in irgendeiner Weise gehandhabt wird.
 - a) Unterbrechen Sie die Spannung zur Pumpe.
 - b) Verriegeln Sie die Startvorrichtungen.
 - c) Verifizieren Sie, dass keine Spannung an den Schaltungen, einschließlich Hilfsvorrichtungen und Hilfsschaltungen, anliegt.
 - d) Warten Sie bis der Motor gänzlich stillsteht.

Die obige Liste ist für die Sicherheitszwecke nur indikativ und nicht bindend zu betrachten; spezielle Sicherheitsbestimmungen können vielleicht in besonderen Vorschriften vorliegen.

Prüfen Sie regelmäßig:

1. Die korrekten Befestigungen der mechanischen Teile und der Stützschauben der Pumpe.
2. Die korrekte Position, Befestigung und Kondition der Versorgungskabel und der Isolierteile.
3. Die Temperatur des Motors. Bei der geringsten Unregelmäßigkeit ist die Maschine sofort zu stoppen und reparieren zu lassen.
4. Die Vibration bzw. Schwingung der Pumpe. Bei irgendeiner Unregelmäßigkeit ist die Maschine sofort zu stoppen und reparieren zu lassen.

Aufgrund der Komplexität der abgedeckten Fälle, versuchen die in dieser Anleitung hinsichtlich Installation, Verwendung und Wartung enthaltenen Anweisungen nicht, alle möglichen und vorstellbaren Fälle von Service und Wartung zu untersuchen. Wenn zusätzliche Anweisungen erforderlich sind, oder wenn spezielle Probleme auftauchen, dann zögern Sie bitte nicht, den Vertriebshändler zu kontaktieren oder sich direkt mit dem Pumpenhersteller in Verbindung zu setzen..

FEHLERSUCHE

SYMPTOME	MÖGLICHE URSACHE	ABHILFE
1. PUMPE SAUGT NICHT AN	Ansaugluftleck Kein Wasser in der Pumpe Geschlossene Ventile oder blockierte Leitungen	Sicherstellen, dass der Wasserpegel durch den Ansaugpunkt korrekt ist. Sicherstellen, dass Körbe und Siebe frei von Verunreinigungen sind. Alle Zubehör/ Rohrverbindungen auf der Ansaugseite der Pumpe festziehen, Gleitringdichtung entfernen und ersetzen. Sicherstellen, dass Filterkorbschale voll ist. Alle Ventile im System öffnen, Skimmer und Pumpenkorb reinigen, Pumpenlaufrad auf Blockierung prüfen.
2. MOTOR LÄUFT NICHT	Kein Strom zum Motor Pumpe blockiert	Prüfen, dass alle elektrischen Schalter an sind. Sicherstellen, dass die Leistungsschutzschalter richtig eingestellt sind. Überprüfen, ob der Zeitgeber richtig eingestellt ist. Motorverdrahtung an den Klemmen überprüfen. Bei ausgeschaltetem Strom ist die Pumpenwelle zu drehen (sollte sich frei drehen). Wenn nicht, Elektriker oder nächste Waterco Limited Filiale zwecks Service kontaktieren.
3. GERINGER DURCHFLUSS	Verschmutzter Filter Skimmer und Pumpensieb verschmutzt Ansaugluftleck Geschlossenes Ventil oder blockierte Leitung	Rückspülen oder Patronen reinigen. Skimmer und Pumpensieb reinigen. Siehe 1. Siehe 1.
4. MOTOR LÄUFT HEISS	Niedrige oder falsche Spannung In direktem Sonnenlicht installiert Schlechte Ventilation	Versorgung ist vom Elektriker zu berichtigen. Motoren laufen berührungsheiss, was normal ist. Der Übertemperaturschutz wird funktionieren und sie ausschalten, falls ein Überlast- oder Hochtemperaturproblem vorliegt. Gegen Wetter abschirmen. Motor keinesfalls dicht abdecken oder einschließen.
5. LAUTER BETRIEB DER PUMPE	Abgenutztes Lager Luftleck in der Ansaugung Ansaugblockierung Fremdkörper im Laufrad Kavitation	Durch Elektriker zu ersetzen. Siehe 1. Blockierung auffinden und beseitigen. Pumpe auseinandernehmen und Fremdkörper und Verunreinigungen um das Laufrad herum entfernen. Ansaugung verbessern, Ansaughub reduzieren, Anzahl von Zubehörteilen reduzieren, Rohrgröße vergrößern, Förderdruck erhöhen und Durchfluss durch Drosseln des Förderventils reduzieren.
6. MOTORÜBERLAST LÖST AUS	Motor nicht richtig verkabelt Niedrige Eingangsspannung Überlastung, wegen Verklemmen in der Pumpe oder Laufrad falscher Größe	Verdrahtung vom Elektriker überprüfen lassen. Spannung vom Elektriker überprüfen lassen, sicherstellen, dass die Pumpe nicht mit einem Verlängerungskabel läuft. Niedrige Versorgung dem Stromversorgungsunternehmen melden. Waterco Limited zwecks Service kontaktieren.

ACHTUNG!: Wenn sich die Waterco Limited Pumpe innerhalb der angegebenen Garantiezeit befindet und Sie Fehler feststellen, setzen Sie sich bitte stets mit Ihrem Lieferanten oder Ihrer nächsten Waterco Limited Niederlassung zwecks Beratung in Verbindung. Nichtbeachtung könnte die Garantie ungültig machen. Beziehen Sie sich bitte auf die mit der Pumpe mitgelieferte Garantiedokumentation.

Alle Elektroarbeiten sind von qualifizierten Elektrikern auszuführen. Ohne die notwendige Qualifikationen, sollten Sie keinesfalls versuchen, Elektrobauteile von Waterco Limited Pumpen zu reparieren.

Table of Contents

LIEU D'INSTALLATION	19
INSTALLATION	19
RACCORDEMENT ÉLECTRIQUE	20
MOTEUR TRIPHASÉ	20
SCHÉMA DE CABLAGE	21
AMORÇAGE	21
ENTRETIEN	22
TEMPÉRATURE DU FLUIDE	22
ENTRETIEN	22
RÈGLES GÉNÉRALES SUR LA SÉCURITÉ	23
AVERTISSEMENTS POUR L'INSTALLATION ET LE MONTAGE	24
AVERTISSEMENTS POUR LE MONTAGE ET L'ENTRETIEN	24
DÉPISTAGE DES DÉFAUTS	25

LIEU D'INSTALLATION

La pompe doit être placée le plus près possible de la piscine, dans un emplacement qui facilitera les interventions d'entretien périodiques.

En outre, on doit placer la pompe dans **un lieu sec et bien ventilé, qui ne risque pas d'être inondé.**

INSTALLATION

Waterco Limited fait usage de technologies de pointe dans la conception et la fabrication de ses pompes. Quelques simples précautions, prises au cours de l'installation, garantiront un fonctionnement sans problèmes pendant des années.

1. Le diamètre de la conduite d'aspiration de la pompe ne doit pas être inférieur à **50 mm (1.5 ")**.
2. La conduite d'aspiration doit comporter le moins de coudes possible.
3. On doit utiliser exclusivement les **raccords de corps de pompe** fournis avec la pompe.
4. Fixer la pompe avec des boulons à l'endroit désiré (pour l'immobiliser).
5. **Le câble électrique doit être raccordé pour la tension et le sens de rotation spécifiés, conformément aux instructions de câblage.**
6. Tous les travaux de câblage électriques doivent être confiés à des **électriciens qualifiés**, et les câbles doivent être installés conformément aux normes locales.
7. Le moteur doit être mis à la masse.
8. Les tuyaux et raccords doivent être soutenus par leurs propres supports, et non pas par la pompe.

~ REMARQUE ÉLECTRIQUE IMPORTANTE ~

L'installation électrique doit être effectuée par un électricien qualifié.

Chaque pompe nécessite un coupe-circuit pour séparer la pompe de l'alimentation électrique. La distance de contact assure une coupure complète dans les conditions de catégorie de surtension III.

*Lorsque la pompe est utilisée pour une piscine ou un bassin, on doit installer **OBLIGATOIREMENT** un coupe-circuit avec mise à la masse, dont le courant de détente nominal ne dépassera pas **30 mA**.*

Vérifier la tension, la puissance absorbée et le cycle sur la plaque constructeur de la pompe.

*Le câble d'alimentation, y compris le fil de terre, doit être conforme à la norme 245 IEC66 (HO7RN-F) pour les modèles avec puissance consommée supérieure à **1 Kw**.*

*Pour les modèles avec puissance consommée inférieure à **1 Kw**, la qualité du câble doit être conforme à la norme **245 IEC57 (HO5RN-F)**.*

*Toutes les installations doivent être conformes aux codes locaux, basés sur les spécifications de la norme **IEC 364-7-702**.*

- **RESPECTEZ LE CALIBRE MINIMUM FOURNI DANS LE TABLEAU DE LA NOTICE TECHNIQUE.**

RACCORDEMENT ÉLECTRIQUE

Vérifiez que les informations sur la plaque constructeur correspondent à la tension d'alimentation.

Confiez l'installation à un électricien qualifié, afin d'assurer qu'elle soit effectuée conformément aux normes électriques locales, chaque moteur doit être muni d'un **sectionneur à fusible ou d'un coupe-circuit**.

UN MOTEUR MONOPHASÉ est doté d'un interrupteur de surcharge thermique.

MOTEUR TRIPHASÉ

Les **MOTEURS TRIPHASÉS** doivent être munis d'un interrupteur de démarrage ou d'un démarreur magnétique, avec protection adéquate contre les surtensions, en plus du sectionneur à fusible.

VÉRIFIEZ LE SENS DE ROTATION DES MOTEURS TRIPHASÉS.

Le moteur est étudié pour le fonctionnement en rotation dans le sens horaire exclusivement (vu du couvercle de ventilateur côté moteur).

Les moteurs triphasés peuvent tourner dans un sens ou dans l'autre. En permutant un des câbles d'un moteur triphasé, on inverse son sens de rotation. Pour vérifier son sens de rotation, mettre le moteur sous tension pendant 1 seconde environ. S'il tourne dans le mauvais sens, couper l'alimentation, permuter les fils puis vérifier en répétant l'opération ci-dessus.

Lors de l'installation de pompes triphasées, on doit disposer d'un dispositif séparé pour l'installation permanente, afin de permettre l'isolement de la pompe de l'alimentation secteur. **Un écart de contact de 3 mm par pôle est nécessaire pour les moteurs triphasés et les moteurs monophasés.**

La protection du moteur DOIT être installée conformément au courant nominal du moteur **DONT LA VALEUR EST INDIQUÉE SUR LA PLAQUE CONSTRUCTEUR.**

Il incombe à l'utilisateur d'assurer la protection adéquate entre le moteur et l'alimentation électrique.

L'installateur doit protéger les trois phases de l'alimentation du moteur de sorte que la pompe ne puisse pas fonctionner qu'en 1 ou 2 phases.

⚠ AVERTISSEMENT :

Avant de débrancher des raccordements électriques, on doit couper l'alimentation électrique à la source.

EXEMPLE : Boîtier de fusibles ou de coupe-circuit. Avant toute intervention sur la pompe, on doit vérifier que l'interrupteur ou les minuteries de la pompe ont été mis hors circuit et **S'ASSURER QUE L'ALIMENTATION SECTEUR A ÉTÉ COUPÉE.**

SCHÉMA DE CABLAGE

• MOTEURS MONOPHASÉS (single phase)



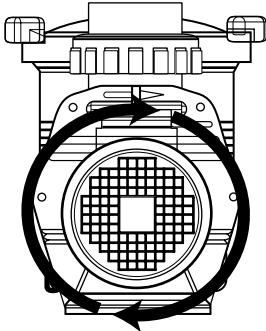
Bleu = Neutre
Marron = Sous tension
Vert/ jaune = Masse

• MOTEURS TRIPHASÉS (Three phase)

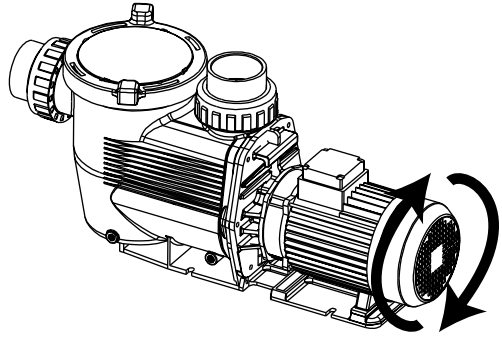


Noir = Sous tension 3
Bleu = Sous tension 2
Marron = Sous tension 1
Vert/ jaune = Masse

• ROTATION D'UNE POMPE TRIPHASÉE



ROTATION EN SENS HORAIRE



AMORÇAGE

La pompe Waterco Limited s'amorce et se réamorce à condition que le préfiltre soit plein d'eau, et que le débit au point d'aspiration soit suffisant.

Si vous perdez de l'eau au récipient de cheveux / peluches, vous devez le remplir avant de commencer.

1. Enlevez le couvercle transparent et remplissez le récipient de cheveux / peluches avec de l'eau.
2. Remontez le couvercle en vérifiant que le **joint torique** est remonté correctement, puis lancez la pompe.

Après avoir effectué ces opérations, attendez **(au maximum) quelques minutes** que la pompe commence à refouler de l'eau.

⚠ AVERTISSEMENT :

Avec des hauteurs d'aspiration élevées ou des conduites d'aspiration longues, la pompe met plus longtemps à s'amorcer : ceci risque de limiter fortement son rendement.

Si la pompe ne s'amorce pas (écoulement), répéter les opérations 1 et 2 ci-dessus.

⚠ AVERTISSEMENT :

*En cas de marche à vide, les joints mécaniques risquent de s'user rapidement, et il pourra être alors nécessaire de les remplacer. **VÉRIFIEZ QUE** vous disposez toujours d'un volume d'eau suffisant dans le préfiltre avant d'effectuer la mise en marche.*

Si vous ne parvenez pas à amorcer la pompe, veuillez consulter le guide de dépiage des défauts.

*Avant de mettre la pompe en marche, vérifiez que toutes les **soupapes d'aspiration et de refoulement** sont ouvertes. En utilisant la pompe lorsque ces soupapes sont fermées, vous risquez de l'endommager.*

ENTRETIEN

Il est nécessaire d'inspecter et de nettoyer le panier filtrant du préfiltre à des échéances régulières.

1. Enlever le couvercle et extraire le panier filtrant.
2. Enlever les débris et rincer à grande eau (propre), si nécessaire.
3. Inspecter le joint de couvercle, lubrifier avec de la graisse de **SILICONE**, si nécessaire. Si le joint est endommagé, remplacer.
4. Remonter le panier filtrant.
5. Réamorcer le préfiltre.
6. Positionner de façon précise le joint torique.
7. Remonter le couvercle (en serrant à la main seulement).
8. Mettre la pompe en marche.

Dans des climats où la pompe risque d'être **exposée au gel**, on doit la protéger de façon appropriée.

Si vous n'utilisez pas votre pompe pendant les mois d'hiver, nous vous **conseillons** de la **vider entièrement**.

Pour ceci, Waterco Limited fournit des bouchons de purge.

Ne remontez pas le bouchon de purge. Rangez-le en lieu sûr jusqu'à ce que vous utilisiez de nouveau la pompe; par exemple **dans le panier filtrant**.

Dans la mesure du possible, enlevez la pompe et rangez-la dans un lieu sec au cours de cette période.

Lorsque vous actionnez la pompe, vérifiez que les garnitures et les joints toriques sont tous en état de marche; si vous avez le moindre doute sur leur état, re-graissez-les (**remplacez-les**) si nécessaire.

- *Avant toute réactivation, vérifiez que l'arbre du moteur se déplace librement.*

TEMPÉRATURE DU FLUIDE

La plage de températures admissibles est comprise **entre 0°C et 35°C**. On ne doit en aucun cas utiliser la pompe hors de cette plage de températures, faute de quoi on risque de l'endommager.

ENTRETIEN

En cas de nécessité, ou si vous n'êtes pas en mesure d'entretenir votre pompe Waterco Limited, vous devez toujours contacter votre **agent accrédité de Waterco Limited** pour l'entretien.

- *Lorsque vous effectuez l'entretien de votre pompe, vous **devez toujours utiliser des pièces de rechange originales Waterco Limited.***

RÈGLES GÉNÉRALES SUR LA SÉCURITÉ

1. Les machines mentionnées dans le manuel ont été conçues tout spécialement pour le pré-filtrage et le recyclage de l'eau dans les piscines.
2. Elles sont étudiées pour fonctionner avec de l'eau propre, à une température qui ne doit pas dépasser **35 degrés centigrades (95°F)**.
3. L'installation doit être effectuée conformément aux instructions de sécurité pour les piscines, en particulier la **norme HD 384.7.702**, ainsi qu'aux instructions spécifiques propres à chaque application.
4. Les règles en vigueur pour la prévention des accidents doivent être observées de façon rigoureuse.
5. Avant d'apporter une modification à la pompe, il est nécessaire d'obtenir, au préalable, le **consentement du constructeur**. L'emploi de pièces de rechange et d'accessoires originaux, autorisés par le constructeur, assure un niveau de sécurité élevé. Le constructeur de la pompe décline toute responsabilité pour les dégâts et accidents **dûs au remplacement par des pièces et accessoires non autorisés**.
6. Au cours de l'utilisation, certaines pièces de la pompe sont soumises à des tensions électriques dangereuses. Avant toute intervention sur la pompe ou les équipements raccordés à celle-ci, il est **nécessaire de couper l'alimentation secteur et de débrancher le moteur de la pompe**.
7. L'utilisateur doit confier le montage et l'entretien de la pompe à des **personnes autorisées et qualifiées**, qui doivent lire attentivement les instructions relatives à l'entretien et à l'installation.
8. La sécurité de la pompe au cours de l'exploitation n'est garantie que si les instructions pour l'installation et l'entretien sont suivies correctement.
9. On ne doit **en aucun cas dépasser les valeurs limites** précisées dans la fiche technique.
10. En cas de défaillance ou de défaut, l'utilisateur doit contacter le service d'assistance technique du constructeur ou son agent accrédité le plus proche.
11. Si le câble est abîmé, il doit être remplacé par un technicien de maintenance autorisé.
12. Cet appareil n'est pas prévu pour être utilisé par des personnes (y compris les enfants) dont les capacités physiques, sensorielles ou mentales sont réduites, ou des personnes dénuées d'expérience ou de connaissance, sauf si elles ont pu bénéficier, par l'intermédiaire d'une personne responsable de leur sécurité, d'une surveillance ou d'instructions préalables concernant l'utilisation de l'appareil.
13. Les enfants doivent être surveillés en tout temps et pas le droit de jouer avec l'appareil.

AVERTISSEMENTS POUR L'INSTALLATION ET LE MONTAGE

1. Lors du raccordement de câbles électriques au moteur de la pompe, l'utilisateur doit les installer correctement à l'intérieur du boîtier de raccordement, en veillant de ne pas laisser de morceaux de câble à l'intérieur du boîtier lorsqu'il le referme. **Le fil de terre doit être raccordé correctement.** Pour le raccordement du moteur, suivre le schéma de câblage fourni avec la pompe.
2. On doit faire particulièrement attention que **l'eau ne puisse pas pénétrer dans le moteur ou les composants électriques sous tension.**
3. Si l'application prévue n'est pas conforme, des adaptations et des spécifications additionnelles pourront être nécessaires.

• AVERTISSEMENTS POUR LA MISE EN MARCHÉ

Avant la mise en marche de la pompe, on doit vérifier d'une part le calibrage des dispositifs de protection électrique du moteur, d'autre part que les protections contre les contacts électriques ou mécaniques ont été placées et fixées correctement.

AVERTISSEMENTS POUR LE MONTAGE ET L'ENTRETIEN

1. On doit faire particulièrement attention que l'eau ne puisse pas pénétrer dans le moteur ou les composants électriques sous tension.
2. Eviter tout contact, même fortuit, avec les pièces mobiles de la pompe.
3. Avant toute intervention sur la pompe, attendre que celle-ci se soit arrêtée.
4. Avant l'exécution d'interventions d'entretien électrique ou mécanique, vérifier que l'alimentation secteur de la machine a été coupée et que les dispositifs de démarrage sont bloqués.
5. Avant toute intervention sur la pompe, il est conseillé d'effectuer les opérations suivantes :
 - a) Couper l'alimentation électrique de la pompe.
 - b) Bloquer les dispositifs de démarrage.
 - c) Vérifier que tous les circuits sont hors tension, y compris les dispositifs et circuits connexes.
 - d) Attendre l'arrêt total du moteur.

La liste ci-dessus est fournie à titre indicatif, et n'est pas obligatoire aux fins de la sécurité ; certains règlements peuvent contenir des règles particulières sur la sécurité.

On doit vérifier régulièrement :

1. Que les pièces mécaniques et les vis de support de la pompe sont fixées correctement.
2. Le positionnement, la fixation et l'état des câbles d'alimentation et des pièces isolantes.
3. La température du moteur : si l'on relève la moindre irrégularité, arrêter et réparer immédiatement la machine.
4. Les vibrations de la pompe : si l'on relève la moindre irrégularité, arrêter et réparer immédiatement la machine.

Compte tenu de la complexité des applications prévues, les instructions pour l'installation, l'utilisation et l'entretien, contenues dans le présent manuel, ne sont pas censées couvrir toutes les éventualités possibles et imaginables pour l'assistance et l'entretien. Si vous désirez des instructions supplémentaires ou lorsque des problèmes particuliers surviennent, n'hésitez pas à faire appel à votre distributeur ou à contacter directement le constructeur de la pompe.

DÉPISTAGE DES DÉFAUTS

SYMPTOMES	CAUSE PROBABLE	MESURES A PRENDRE
1. LA POMPE NE S'AMORCE PAS	Fuite de l'air aspiré Absence d'eau dans la pompe Vannes fermées ou conduites obturées	Vérifier que le niveau d'eau est correct aux points d'aspiration, et que les crépines et filtres sont propres et exempts de débris. Serrer tous les raccords à l'aspiration de la pompe. Enlever et remplacer le joint mécanique. Vérifier que le préfiltre est plein. Ouvrir toutes les vannes du circuit, nettoyer le collecteur et le panier du préfiltre, vérifier que le rotor de la pompe tourne librement.
2. LE MOTEUR NE FONCTIONNE PAS	Moteur non alimenté La pompe tombe en panne	Vérifier que tous les commutateurs sont ouverts, et que les disjoncteurs sont armés. Vérifier que la minuterie est réglée correctement et examiner le câblage du moteur aux bornes. Coupez l'alimentation et faites tourner l'arbre de la pompe (il doit tourner librement) : sinon, appelez un électricien ou l'agent Waterco Limited le plus proche.
3. BAS DÉBIT	Filtre sale Collecteur et crépine de pompe sales Fuite de l'air aspiré Vannes fermées ou conduites obturées	Laver ou nettoyer la cartouche. Nettoyer le collecteur et la crépine de pompe. Voir "1". Voir "1".
4. LE MOTEUR CHAUFFE	Tension basse ou erronée Installé à la lumière du soleil Mauvaise ventilation	Appelez un électricien pour rectifier la tension. Il est normal que les moteurs soient chauds au toucher. En cas de surcharge ou de problème de haute température, un dispositif de protection contre les surcharges thermiques se déclenche. Abriter la pompe. Ne pas couvrir ou fermer excessivement le moteur.
5. POMPE BRUYANTE	Roulement usé Fuite de l'air aspiré Aspiration obturée Corps étrangers dans le rotor Cavitation	Faire remplacer par un électricien. Voir "1". Dépister et éliminer l'obturation. Débrancher la pompe et enlever les corps étrangers et les débris autour du rotor. Augmenter l'aspiration, réduire la hauteur d'aspiration et le nombre de raccords. Augmenter le diamètre des tuyaux et la pression de refoulement, et réduire le débit en réduisant le débit de la vanne de refoulement.
6. DÉCLENCHEMENT DE LA SURCHARGE DU MOTEUR	Raccordement erroné du moteur Basse tension d'entrée Surcharge due à un grippage dans la pompe ou un rotor aux dimensions erronées	Demander à un électricien de vérifier le câblage. Demander à un électricien de vérifier la tension, vérifier que la pompe n'est pas alimentée par un câble à rallonge. Signalez les basses tensions d'alimentation à la société d'électricité. Appelez le service d'assistance de Waterco Limited.

Avvertissement: si des défauts se déclarent au cours de la période de garantie de la pompe Waterco Limited, contactez notre fournisseur ou la filiale Waterco Limited la plus proche, faute de quoi vous risquez d'annuler la garantie. Voir le certificat de garantie fourni avec la pompe. Toutes les interventions électriques doivent être effectuées par un électricien qualifié: vous ne devez en aucun cas effectuer vous-même des réparations sur les composants électriques des pompes Waterco Limited, à moins que vous ne soyez qualifié pour ce faire.

Table of Contents

SIJAINTI	27
ASENNUS	27
SÄHKÖKYTKENTÄ	28
MOOTTORI	28
KYTKENTÄKAAVIO	28
PUMPUN IMU	29
HUOLTO JA KUNNOSSAPITO	30
PUMPATTAVAN NESTEEN LÄMPÖTILA	30
HUOLTO	30
YLEISET TURVALLISUUSOHJEET	31
VAROITUKSIA SÄHKÖISTYKSEEN	32
VAROITUKSIA ASENNUS- JA	
HUOLTOTOIMIIN	32
TOIMINTA HÄIRIÖTILANTEESSA	33

SIJAINTI

Pumppu tulee sijoittaa lähelle allasta käytännölliseen paikkaan. Asenna pumppu helposti käsiksi päästävään paikkaan vrt. huoltotoimenpiteet.

Huolehdi myös, että pumppu on sijoitettu kuivaan, hyvin ilmastoituun ja tulvimattomaan paikkaan.

ASENNUS

Waterco Limited käyttää viimeisintä teknologiaa suunnitellessaan ja valmistaessaan pumppuja. Muutamalla yksinkertaisella varotoimella pumpun asennuksen yhteydessä takaat ongelmattoman pumpun käytön.

1. Pumpun imupuoli ei saisi olla pienempi kuin 1 1/2” tai 50mm.
2. Imupuolen putkistossa tulee olla mahdollisimman vähän kulmia ja mutkia.
Älä tee imupuolelle ilmataskuja.
3. Käytä METRIC- yhdistäjiä(ota O-rengas IMPERIAL-yhdistäjiä ennen niiden hävittämistä), jotka tulevat pumpun mukana karkeasuodattimessa.
4. Asenna pumppu sopivaan paikkaan ja estä sen liikkuminen esim. käynnistyessä.
5. Pumpun sähköliitännät tulee tehdä ohjehtisen ja paikallisten asetusten mukaan.
6. Sähköliitännät saa tehdä ainoastaan alan ammattilainen.
7. Moottori pitää maadoittaa.
8. Putkisto ja sen osat eivät saa tukea tai kannatella pumppua.

~ HUOMIO SÄHKÖTÖITÄ TEHTÄESSÄ ~

Sähköliitännät saa tehdä ainoastaan sähköasentaja.

Jokainen pumppu tarvitsee katkaisijan sähkönsyöttöön.
Virtapiiriin kytkimen napojen erotusväli ei saa olla alle 3mm.

Jos pumppu on asennettu uima-altaan tai lammen yläpuolelle on **PAKOLLISTA** olla asennettuna **30mA** vikavirtasuojakytkin tai moottorinsuojakytkin. Täydellisen ohjauskeskuksen saat jälleenmyyjältäsi esim. APU-2 1-vaihe tai 3-vaihe.

Tarkista pumpun kilvestä jännite ja virta-arvot.

Kaikkien asennusten pitää noudattaa paikallisia asetuksia.

• **NOUDATA KÄYTTÖOHJEESSA ANNETTUJA VÄHIMMÄISARVOJA.**

SÄHKÖKYTKENTÄ

Tarkista että pumpun kilvessä olevat tiedot vastaavat sähkönsyöttöä. Kutsu sähköasentaja asentamaan pumppu paikallisten asetusten mukaisesti. Jokainen moottori tarvitsee virtakatkaisimen.

MOOTTORI

3-VAIHE MOOTTORI tarvitsee virtakatkaisimen ja moottorisuojan.

TARKISTA 3-VAIHE MOOTTORIN PYÖRIMISSUUNTA KUIVANA.

Moottorin tulee pyöriä vain myötäpäivään katsottaessa moottorin päästä vrt. nuoli, tuulettajan suoja. 3-vaihe moottori voi pyöriä kumpaankin suuntaan. Vaihdettaessa johtojen napaisuutta 3- vaihe moottori vaihtaa pyörimissuuntaa. Tarkistaaksesi moottorin pyörimissuunnan, käynnistä n.1 sekunnin ajaksi.

Jos moottori pyörii väärään suuntaan, sammuta ja kytke johdot uudelleen ja toista tarkistusvaihe.

Moottorin suoja pitää valita pumpun arvojen mukaisesti.

TARKISTA ARVOT MOOTTORIN KILVESTÄ.

Asentajan tulee huolehtia, että moottorin kaikki vaiheet asennetaan toimimaan, ettei pumppu käy vain 1- tai 2-vaiheisena.

VAROITUS

Ennen sähkökytkentöjen purkamista, katkaise virta:

VARMISTA ETTÄ PÄÄVIRTA ON KATKAISTU.

KYTKENTÄKAAVIO

• 1-VAIHE MOOTTORI



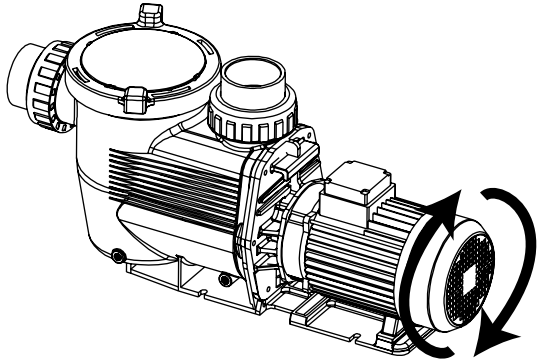
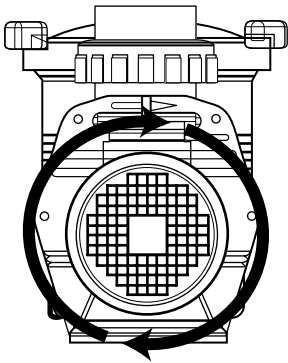
Sininen = Nolla
Ruskea = Vaihe
Vihreä/ Keltainen = maadoitus

• 3-VAIHE MOOTTORI



Musta = L3
Sininen = L2
Ruskea = L1
Vihreä/ Keltainen = maadoitus

• PYÖRIMISSUUNTA 3-VAIHE PUMPULLE



Kellonsuuntainen pyöriminen /
myötäpäivään.

PUMPUN IMU

The Waterco Limited pumppu imee edellyttäen että pumpun pesä on täynnä vettä ja imuputkistossa vesi virtaa esteettä. Jos pumpun pesässä ei ole vettä, on tärkeää täyttää se ennen käynnistystä.

1. Poista kirkas kansi ja täytä pumpun pesä vedellä.
2. Laita kansi takaisin paikalleen, varmista että o-rengas on paikallaan, kansi kierteillään ja laita pumppu päälle.

Tämän jälkeen odota muutama minuutti, että pumppu alkaa kierrättää vettä.

VAROITUS

Suuri imukorkeus ja/ tai pitkä imulinja vaatii ylimääräistä aikaa pumpun imuun ja saattaa vaikuttaa pumpun toimintaan. Jos pumppu ei ime, (vesi ei virtaa), toista yllämainitut kohdat 1 ja 2.

VAROITUS

Jos pumppu on päässyt käymään kuumana, tiivisteet saattavat vahingoittua, vaihda tiivisteet tarpeen mukaan. Varmista aina että pumpun pesässä on riittävä määrä vettä ennen kuin aloitat käynnistuksen. Jos pumppu ei ime, tutustu ohjekirjan toiminta häiriötilanteessa osioon. Varmista että imu- ja poistoventtiilit ovat auki ennen kuin käynnistät pumpun, jos venttiilit ovat kiinni se saattaa vahingoittaa pumppua.

HUOLTO JA KUNNOSSAPITO

Pumpun karkeasuodatin tulee tarkistaa ja puhdistaa säännöllisin väliajoin.

1. Varmista että on kytketty pois päältä. Poista kansi ja nosta karkeasuodatin.
2. Poista roskat ja huuhtelee puhtaalla vedellä jos tarpeen.
3. Tarkasta kannen tiiviste, voitele SILICON pohjaisella rasvalla vain jos tarpeen. Jos tiiviste on rikki vaihda se uuteen.
4. Laita karkeasuodatin takaisin pumpun pesään, reikä imuaukon kohdalle.
5. Huolehdi että pumpun pesässä on vettä.
6. Aseta o-rengas oikein paikalleen.
7. Laita kansi takaisin paikalleen kierteilleen (vain käsin kiristys).
8. Kytke pumppu päälle.

Ilmastossa jossa on pakkasen tai jäätyminen vaara, varmista että pumppu on suojattu kylmän aiheuttamalta rikkoontumiselta. Jos pumppua ei käytetä talvikautena on suositeltavaa tyhjentää pumppu vedestä. Pumppu on varustettu tyhjennys tulpilla. Irrota tulpat ja säilytä turvallisessa paikassa seuraavaa käyttökertaa varten, esim. pumpun karkeasuodattimessa. Jos mahdollista irrota pumppu ja varastoi se kuivassa paikassa. Uudelleen käyttöönottaessa varmista että pumpun tiivisteet ja o-renkaat ovat käyttökunnossa, jos tarpeen voitele tai jos et ole varma tiivisteiden kunnosta voit vaihtaa ne. Tarkista että moottorin akseli liikkuu vapaasti ennen uudelleen käyttöönottoa.

PUMPATTAVAN NESTEEN LÄMPÖTILA

Pumpattavan nesteen sallitut lämpötilat $0^{\circ}\text{C} < t < 35^{\circ}\text{C}$. Pumppua ei saa käyttää muissa lämpötiloissa.

HUOLTO

Jos tarvitset neuvoja tai huoltoa pumpullesi, ota yhteyttä jälleenmyyjääsi.

Käytä aina alkuperäisiä pumpun varaosia!

YLEISET TURVALLISUUSOHJEET

1. Käyttöohjeessa mainitut pumput ovat erityisesti suunniteltu uima-altaan veden kierrätykseen ja esisuodatukseen.
2. Pumput ovat suunniteltu toimimaan puhtaalla vedellä, veden lämpötila ei saa ylittää 35°C.
3. Pumpun asennus tulee olla uima-allas turvallisuuden mukainen ja huomioon ottaen jokaisen kohteen omat ohjeistukset.
4. Sääntöjä onnettomuuden estämiseksi tulee noudattaa huolellisesti.
5. Valmistajan tulee hyväksyä pumppuun mahdollisesti tehtävät muutokset. Valmistajan alkuperäisten varaosien ja lisälaitteiden käyttö auttavat turvallisuutta. Pumpun valmistaja ei vastaa vahingosta tai loukkaantumisesta, joka aiheutunut varaosista ja lisälaitteista, jotka eivät ole alkuperäisiä osia.
6. Käytön aikana, pumpun joissakin osissa esiintyy hengenvaarallista sähköjännitettä. Pumpun huoltoa voi tehdä ainoastaan kun pumppu ja lisälaitteet ovat irrotettu päävirrasta, ja käynnistyslaitteesta.
7. Käyttäjän tulee varmistaa että asennus ja huoltotyöt tehdään pätevän valtuutetun henkilön toimesta ja että nämä henkilöt ensin lukevat huolellisesti asennus- ja huolto ohjeet.
8. Pumpun turvallinen toimiminen taataan vain jos asennus ja huolto-ohjeita on noudatettu.
9. Raja-arvot ovat mainittu. Teknisiä arvoja ei saa ylittää koskaan.
10. Pumpun toimiessa viallisesti tai vian ilmentyessä, ota yhteyttä jälleenmyyjääsi.
11. Jos sähkökaapeli on vaurioitunut, tulee se vaihtaa sähköasentajan toimesta.
12. Ei ole tarkoitus että näitä laitteistoja käyttää henkilöt, joilla on rajoituksia; psyykinen, fyysinen tai aistiperäinen (mukaan lukien pienet lapset). Tai ilman valvontaa henkilöt, joilla ei ole kokemusta/ koulutusta laitteiston käyttöön.
13. Los niños deben estar supervisados en todos momentos y no tienen el derecho a jugar con el aparato al cualquier momento.

VAROITUKSIA SÄHKÖISTYKSEEN

1. Yhdistettäessä pumpun moottorin sähköjohtoa, ole huolellinen sulkiessasi kytkentä koteloa. Varmista ettei johdon palasia jää sisäpuolelle. **Varmista että maadoitusjohto on oikein yhdistetty.** Moottoria kytkettäessä, noudata pumpun mukana olevaa kytkentäohjetta.
2. Ole erittäin huolellinen että vettä ei pääse pumpun moottoriin tai muihin sähköosiin.
3. Käytettäessä muissa sovellutuksissa, täydentävät tekniset ohjeet ja muokkaukset saattavat olla tarpeen.

• HUOMIO KÄYNNISTYKSEEN

Ennen pumpun käynnistystä, varmista, että moottorin suojakytkin on asetettu ovat pumpun arvojen mukaisesti.

VAROITUKSIA ASENNUS- JA HUOLTOTOIMIIN

1. **Huolehdi, ettei vesi pääse pumpun moottoriin tai muihin sähköosiin.**
2. Vältä koskemasta pumpun liikkuviin osiin, jopa vahingossa.
3. Pumppua käsitellessä odota että se on pysähtynyt kokonaan.
4. **Ennen kuin pumpulle tehdään sähkö tai huoltotoimia, varmista että pumppu on irti sähkö- ja käynnistyslaitteistosta.**
5. On suositeltavaa vähintäänkin noudattaa seuraavia ohjeita pumppua käsiteltäessä.
 - a) Ota pumpun virta pois päältä.
 - b) Varmista, ettei pumppu käynnisty.
 - c) Varmista ettei virtapiirissä ole jännitettä. Tämä koskee myös lisälaitteita.
 - d) Odota kunnes moottori on pysähtynyt kokonaan.

Yllämainitut turvallisuuteen liittyvät toimenpiteet ovat ohjeellisia, ei sitovia turvallisuussääntöjä, paikalliset turvallisuussäädökset saattavat olla tarkemmat.

Tarkista säännöllisesti:

1. Pumpun osien ja muttereiden kiinnitykset.
2. Johtojen ja eristysten oikea asento, kiinnitykset ja kunto.
3. Moottorin lämpötila. Poikkeavuuden sattuessa pysäytä laite ja korjauta.
4. Pumpun värähtely. Poikkeavuuden sattuessa pysäytä laite ja korjauta.

Vaikka monia tilanteita varten on annettu ohjeistusta ohjekirjassa, ohjeet eivät kata kaikkia mahdollisia tilanteita käyttöä, huoltoa ja kunnossapitoa varten. Jos täydentäviä ohjeita tarvitaan tai erityisiä ongelmia ilmenee, älä epäröi ottaa yhteyttä jälleenmyyjääsi.

TOIMINTA HÄIRIÖTILANTEESSA

ONGELMA	TODENNÄKÖINEN SYY	RATKAISU
1. PUMPPU EI IME	Ilmavuoto imupuolella Pumpussa ei ole vettä Putkistotukos tai venttiilit kiinni	Tarkista imukohtien oikea vesikorkeus. Puhdista roskat karkeasuodattimesta. Tarkista pumpun yhdistäjät ja imupuolen putkistoliitokset. Kiristä, vaihda tiivisteet. Varmista että pumpun pesä on täynnä vettä. Avaa kaikki venttiilit. Puhdista pintaventtiilin ja pumpun kori, tarkista pumpun siipipyörä.
2. MOOTTORI EI KÄY	Moottorissa ei ole virtaa Pumppu jumittunut	Tarkista että kytkimet ovat päällä. Varmista moottorin suojakytkin on oikein asennettu. Tarkista ajastin. Tarkista liitäntäjohdot. Virran ollessa katkaistu pyöräytymään moottorin akselia (pitäisi pyöriä vapaasti). Ellei, ota yhteyttä jälleenmyyjään.
3. HUONO VIRTAUS	Likainen hiekkasuodatin Likainen pintaventtiili ja pumpun karkeasuodatin. Ilmavuoto imupuolella Putkistotukos tai venttiilit kiinni	Huuhtelee ja puhdista hiekkasuodatin. Puhdista pintaventtiilin kori ja pumpun karkeasuodatin. Katso kohta 1. Katso kohta 1.
4. MOOTTORI KÄY KUUMANA	Matala tai väärä jännite Sijoitettu suoraan auringonvaloon. Huono ilmanvaihto	Sähköasentaja korjaa. Normaalisti moottori käydessään tuntuu lämpimältä. Ylikuumentumista katkaisee virran moottorista, jos on ylikuumentumista tai ylikuormitusta. Suojaa säöoloilta. Älä peitä pumppua. Huolehdi riittävästä ilmanvaihdosta.
5. PUMPUSSA KOVA ÄÄNI	Laakerivika Ilmavuoto imupuolella Tukos imupuolella Kavitointi	Kutsu korjaaja. Katso kohta 1. Paikanna tukos ja puhdista. Paranna imua ja kiristä paluulinjaa altaalle.
6. MOOTTORIN YLIKUUMENEMISSUOJA KATKOO	Moottori ei ole kytketty oikein Matala sähkönsyöttö Ylikuumentuminen; pumpun siipipyörä on jumittunut tai siinä on vääränkokoisen juoksupyörä	Sähköasentaja tarkistaa liitäntäjohdot. Sähköasentaja tarkistaa sähkönsyötön, varmista ettei pumppu ole kiinnitetty jatkojohtoon. Ota yhteyttä jälleenmyyjäsi

Varoitus: Jos Waterco Limited pumpussa ilmenee takuuajan vika, ota aina yhteyttä pumpun jälleenmyyjään neuvoa kysyäksesi. Tämän noudattamatta jättäminen saattaa mitätöidä takuun. Sähköliitännät saa tehdä ainoastaan valtuutettu sähköasentaja.

OFFICES - AUSTRALIA

NSW - Sydney
(HEAD OFFICE)
Tel : +61 2 9898 8686

VIC/ TAS - Melbourne
Tel : +61 3 9764 1211

WA - Perth
Tel : +61 8 9273 1900

QLD - Brisbane
Tel : +61 7 3299 9900

SA/ NT - Adelaide
Tel : +61 8 8244 6000

ACT Distributor
Tel : +61 2 6280 6476

OFFICES - OVERSEAS

Waterco USA
Augusta, USA
Tel : +1 706 793 7291

Waterco Canada
St-Hyacinthe, QC, Canada
Tel : +1 450 796 1421

Waterco (Europe) Limited
Sittingbourne, Kent. UK
Tel : +44(0) 1795 521 733

Waterco France
SAINT PRIEST, France
Tel : +33 (0)4 72 79 33 30

Waterco (NZ) Limited
Auckland, New Zealand
Tel : +64 9 525 7570

Waterco (C) Limited
Guangzhou, China
Tel : +8620 3222 2180

Waterco (Far East) Sdn. Bhd.
Selangor, Malaysia
Tel : +60 3 6145 6000

PT Waterco Indonesia
Jakarta, Indonesia
Tel : +62 21 4585 1481

Waterco International Pte Ltd
Singapore
Tel : +65 6344 2378

WATERCO

Waterco Limited ABN 62 002 070 733

Member
**WATER
QUALITY
ASSOCIATION**®

