

# EcoPure®

## High Performance Cartridge Filters

For maintaining a clean and safe swimming environment for your family's pool or spa with minimal water wastage



### Features & Benefits

- Compact, durable A.B.S. tank with UV resistance for long service life
- Easy access to cartridge element via heavy duty locking ring
- Auto pressure release preventing damage to pump and filter should filter become blocked
- Quick connect 40mm A.B.S. barrel unions supplied for ease of installation
- Auto air bleed for removal of trapped air inside filter eliminating the need for manual bleeding
- No backwashing of filter required
- Quality pressure gauge makes it easy to see when element cleaning is required
- Cartridge element constructed of Du Pont Reemay – recognised for its excellent filtration and long life
- Suitable for all pools and spas, fresh or salt water

## High Performance Cartridge Filters



- Quality pressure gauge** for monitoring of filtration performance
- Automatic air bleed** purges trapped air during filtration
- High quality Du Pont polyester mesh** with pleats for easy cleaning and long filtration cycles
- A.B.S. tank construction** is robust, UV resistant and corrosion resistant for long service life
- A.B.S. barrel unions** for quick connection and easy installation
- Automatic pressure relief valve** prevents internal pressures exceeding safe levels

Model	Filtration Area (sq metres)	Filtration Area (sq feet)	Max Flow Rate (lpm)	6 Hour Turnover (litres)	8 Hour Turnover (litres)
EcoPure 50	4.75	50	230	83,000	110,400
EcoPure 75	7	75	325	117,000	156,000
EcoPure 100	9.5	100	400	144,000	192,000
EcoPure 150	14.25	150	490	176,400	235,200

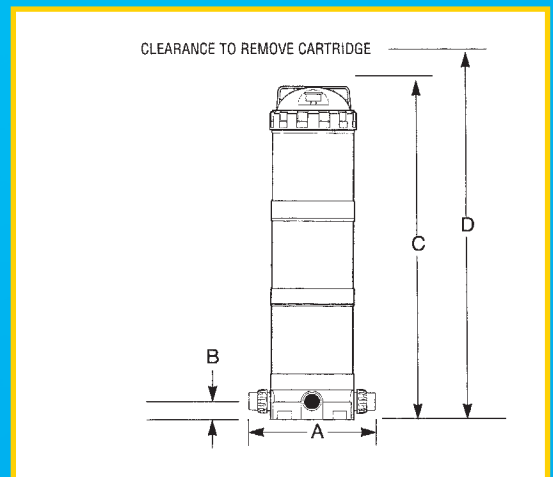
### OPERATING LIMITS

Maximum Water Temperature	45°C
Maximum Operating Pressure	280kPa

### DIMENSIONS (mm)

Model	A	B	C	D	Inlet PVC	Outlet PVC
EcoPure 50	410	60	540	835	40/50*	40/50*
EcoPure 75	410	60	540	835		
EcoPure 100	410	60	635	1200		
EcoPure 150	410	60	820	1555		

\*40/50mm tail on unions allow connection of a DN40 PVC pipe or into the socket/collar of a DN50 PVC pipe.



#### Datasheet Disclaimer:

All details in this leaflet are accurate at the time of printing. This literature is not a complete guide to product usage. Further information is available from your Monarch Series dealer, Davey Customer Service Centre and from the relevant product Installation & Operating Instructions. This datasheet must be read in conjunction with the relevant Installation & Operating Instructions and all applicable statutory requirements. Product specifications may change without notice. © Davey and EcoPure are registered trademarks of Davey Water Products Pty Ltd. © Davey Water Products Pty Ltd 2010.



### Davey Water Products Pty Ltd

Member of the GUD Group  
ABN 18 066 327 517

**AUSTRALIA**  
Head Office and Manufacturing  
6 Lakeview Drive,  
Scoresby, Australia 3179  
Ph: +61 3 9730 9222  
Fax: +61 3 9753 4100  
Website: davey.com.au

**Customer Service Centre**  
Ph: 1300 369 100  
Fax: 1300 369 119  
E-mail: sales@davey.com.au

**NEW ZEALAND**  
7 Rockridge Avenue,  
Penrose, Auckland 1061  
Ph: +64 9 570 9135  
Fax: +64 9 527 7654  
E-mail: sales@daveynz.co.nz  
Website: daveynz.co.nz

**Customer Service Centre**  
Ph: 0800 654 333

**REST OF WORLD**  
6 Lakeview Drive,  
Scoresby, Australia 3179  
Ph: +61 3 9730 9121  
Fax: +61 3 9753 4248  
E-mail: export@davey.com.au  
Website: davey.com.au

